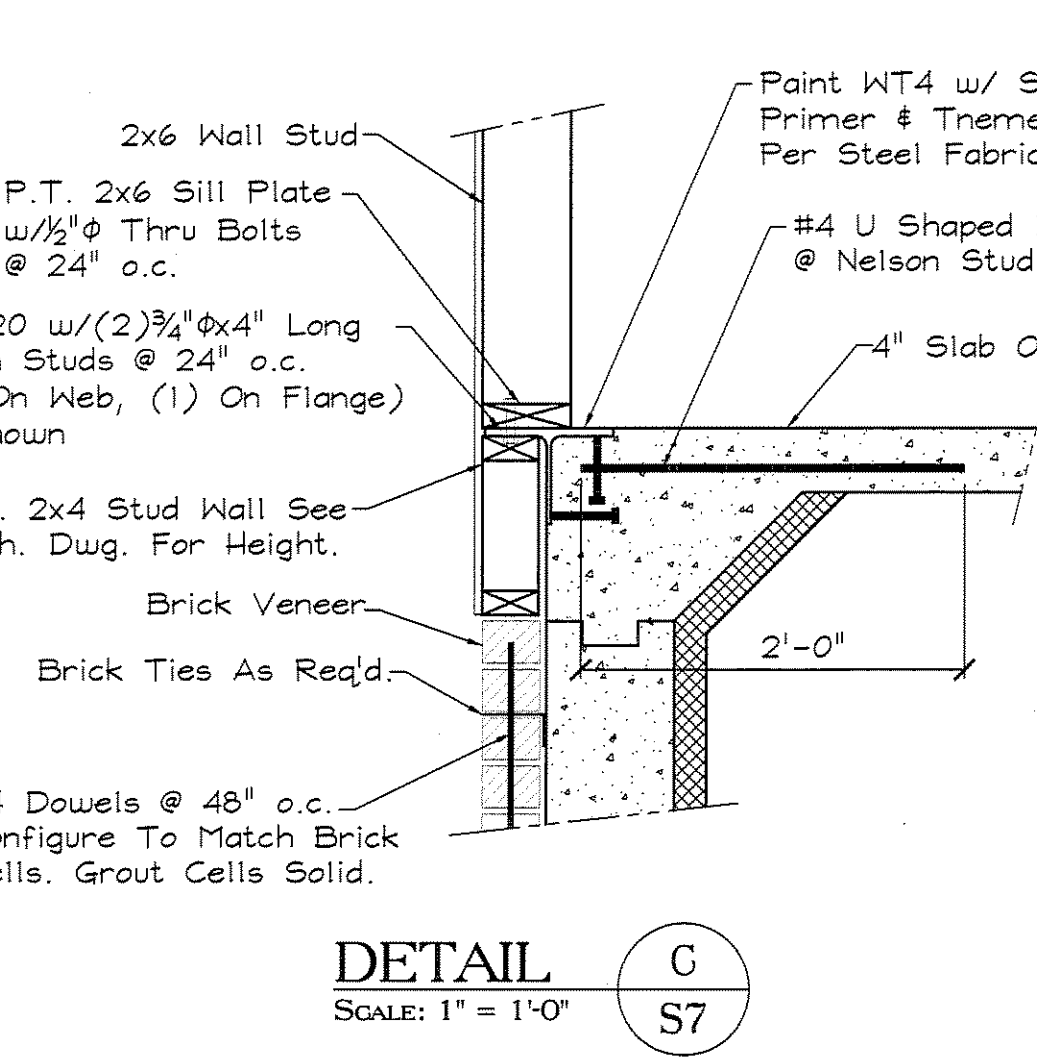
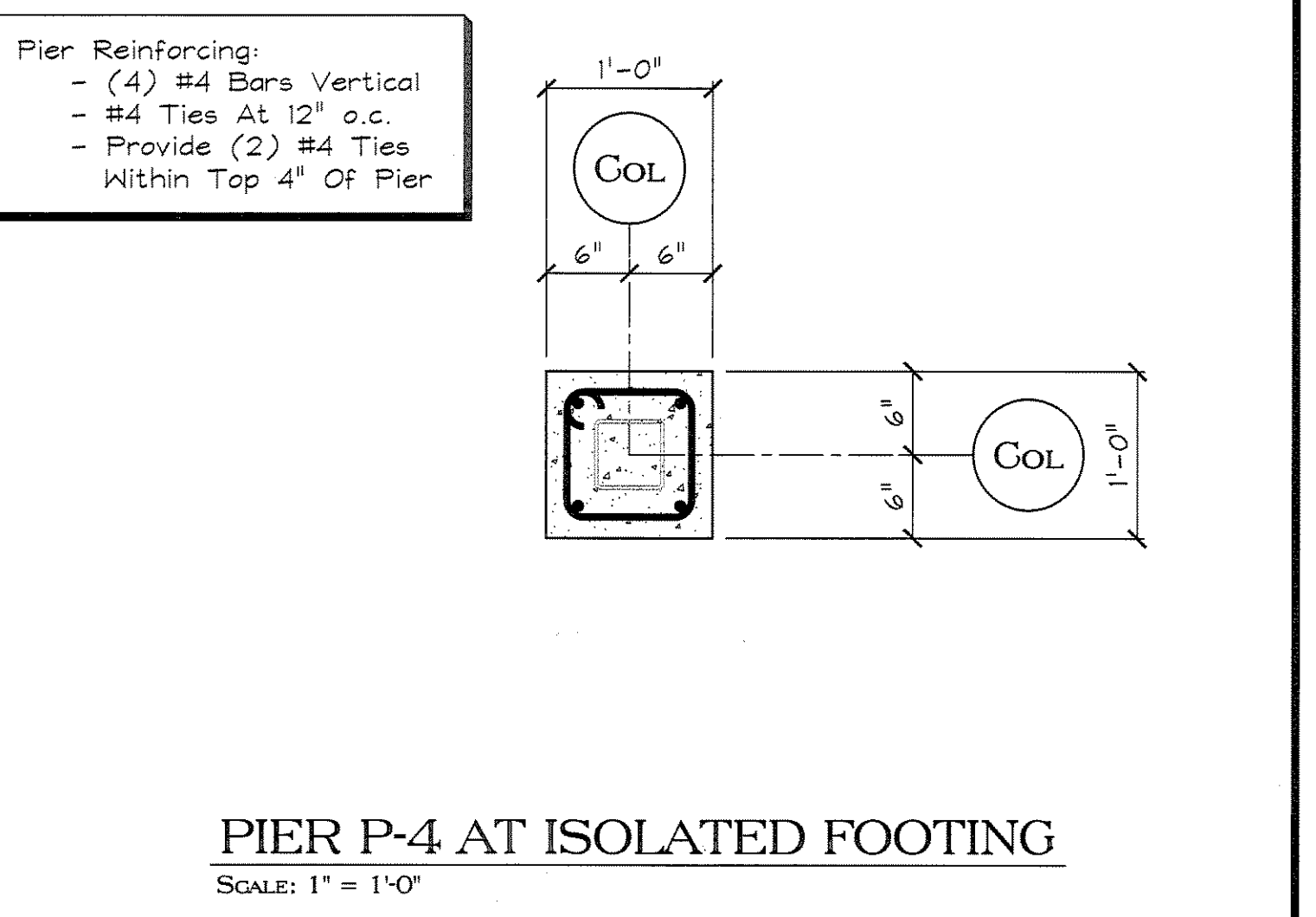
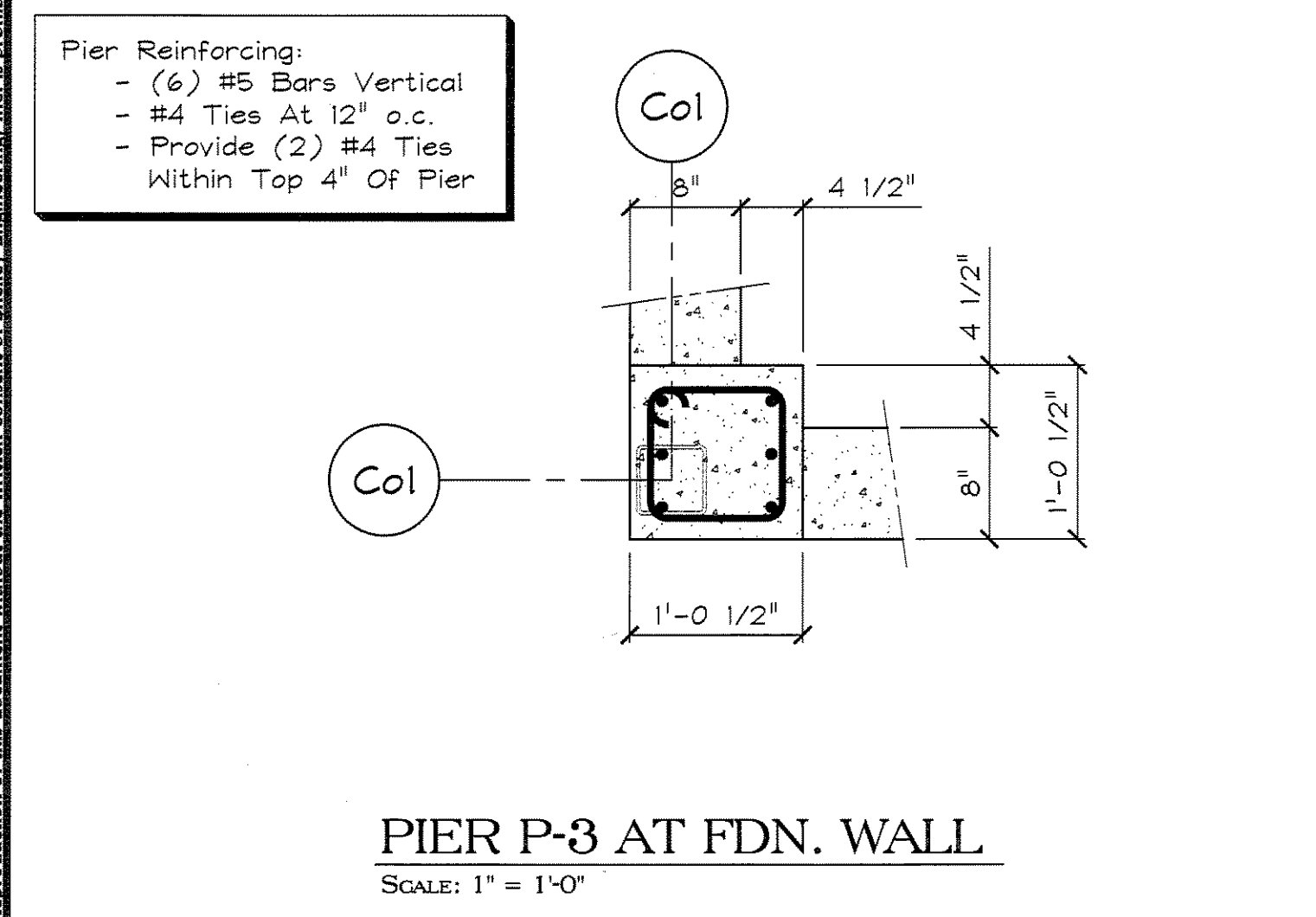
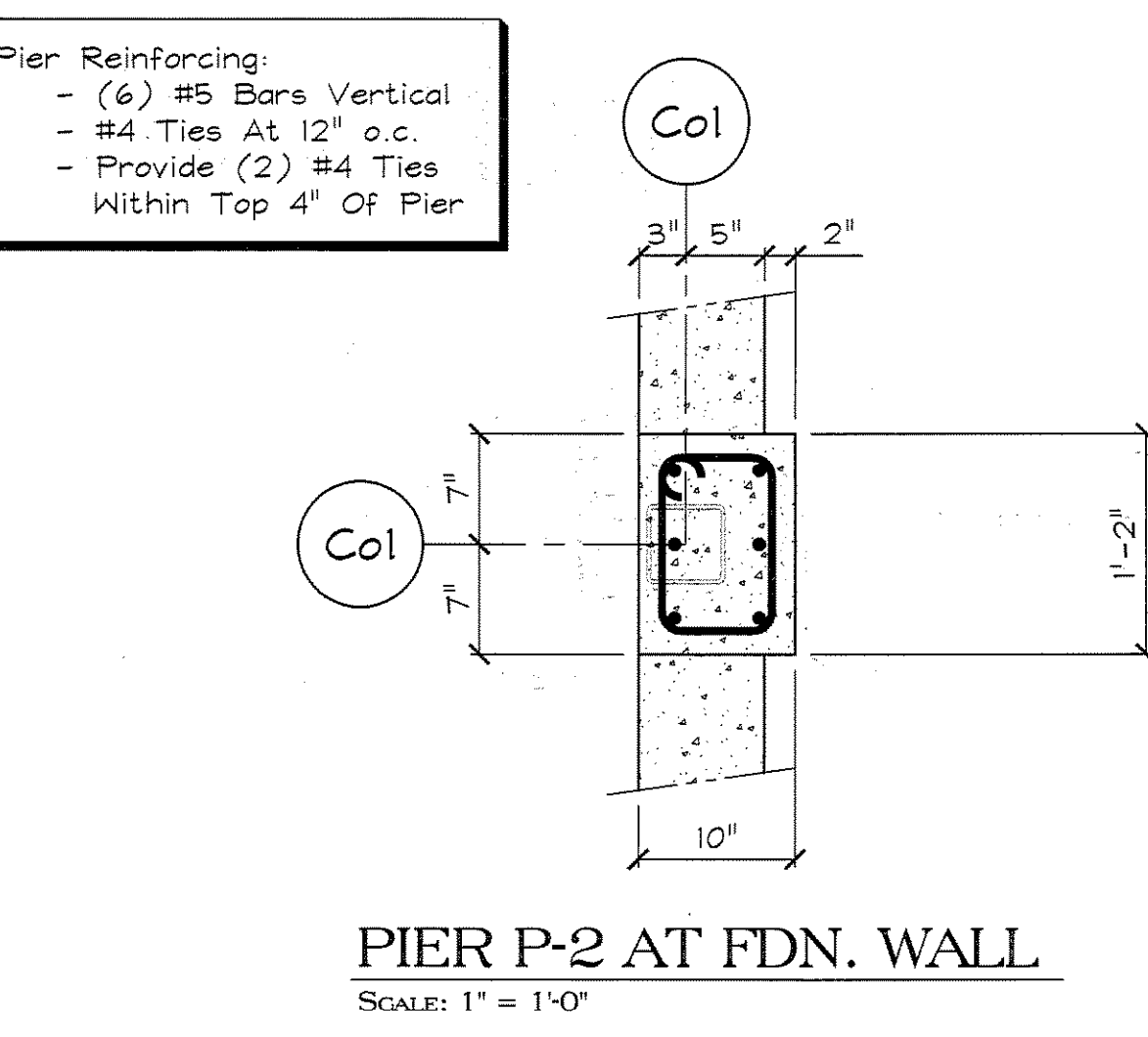
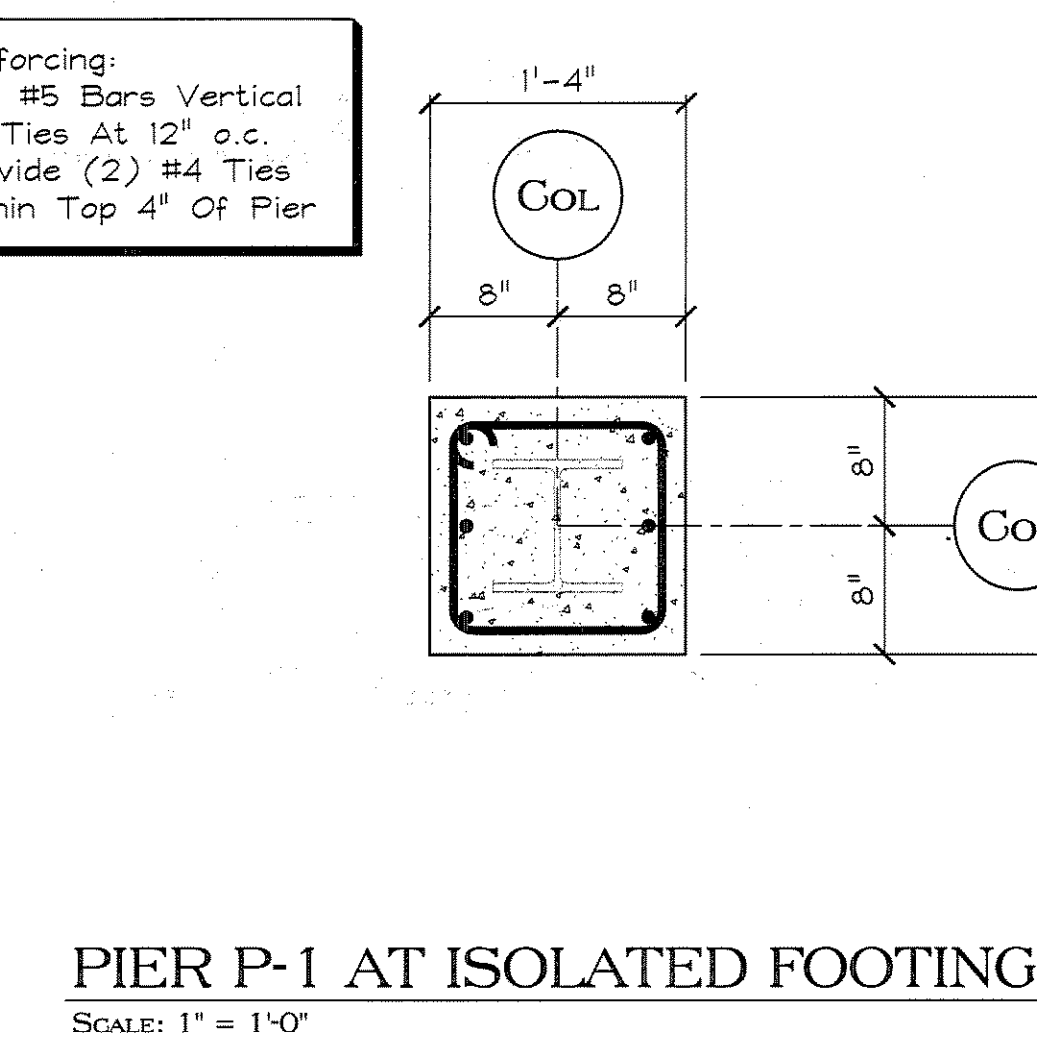
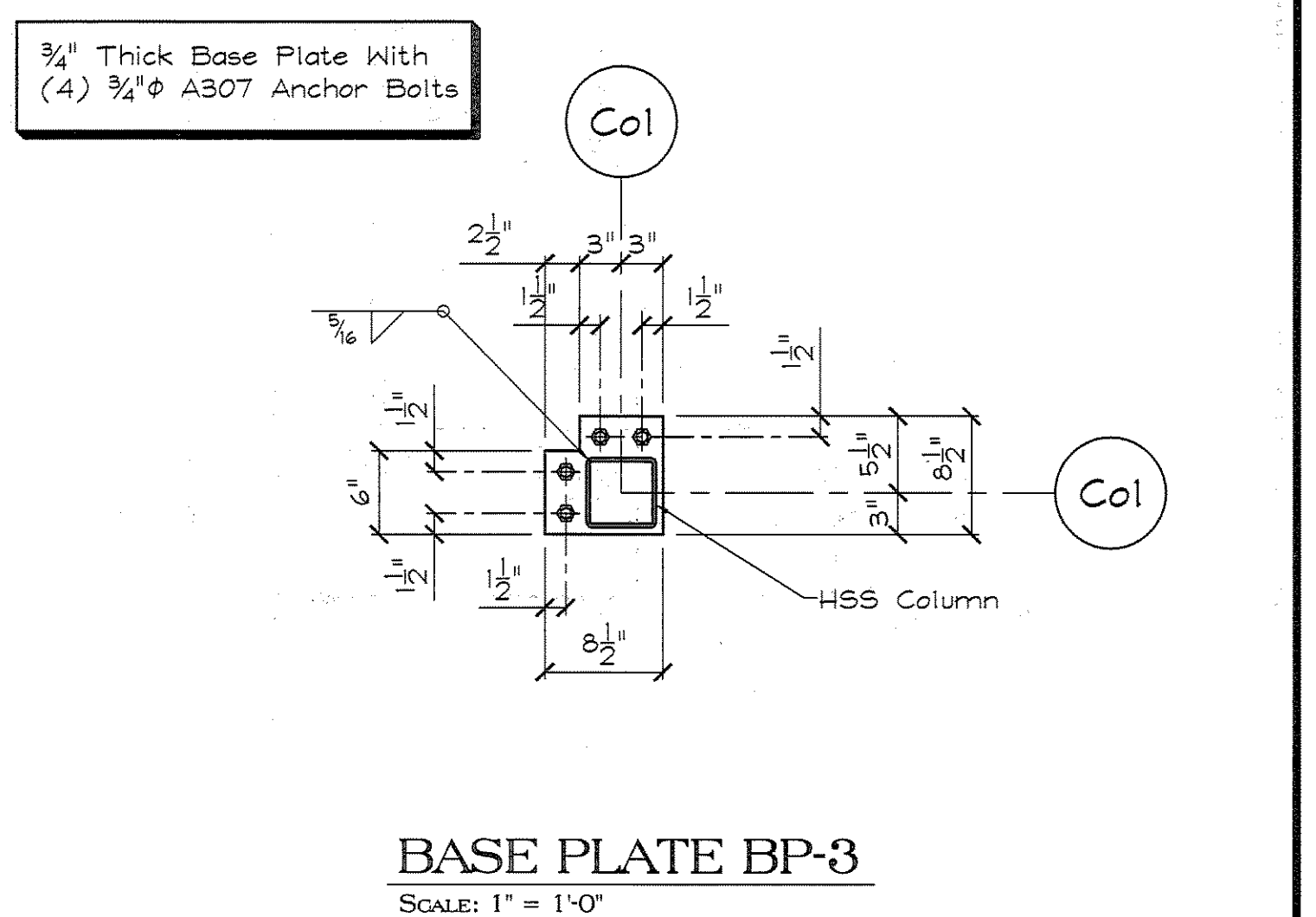
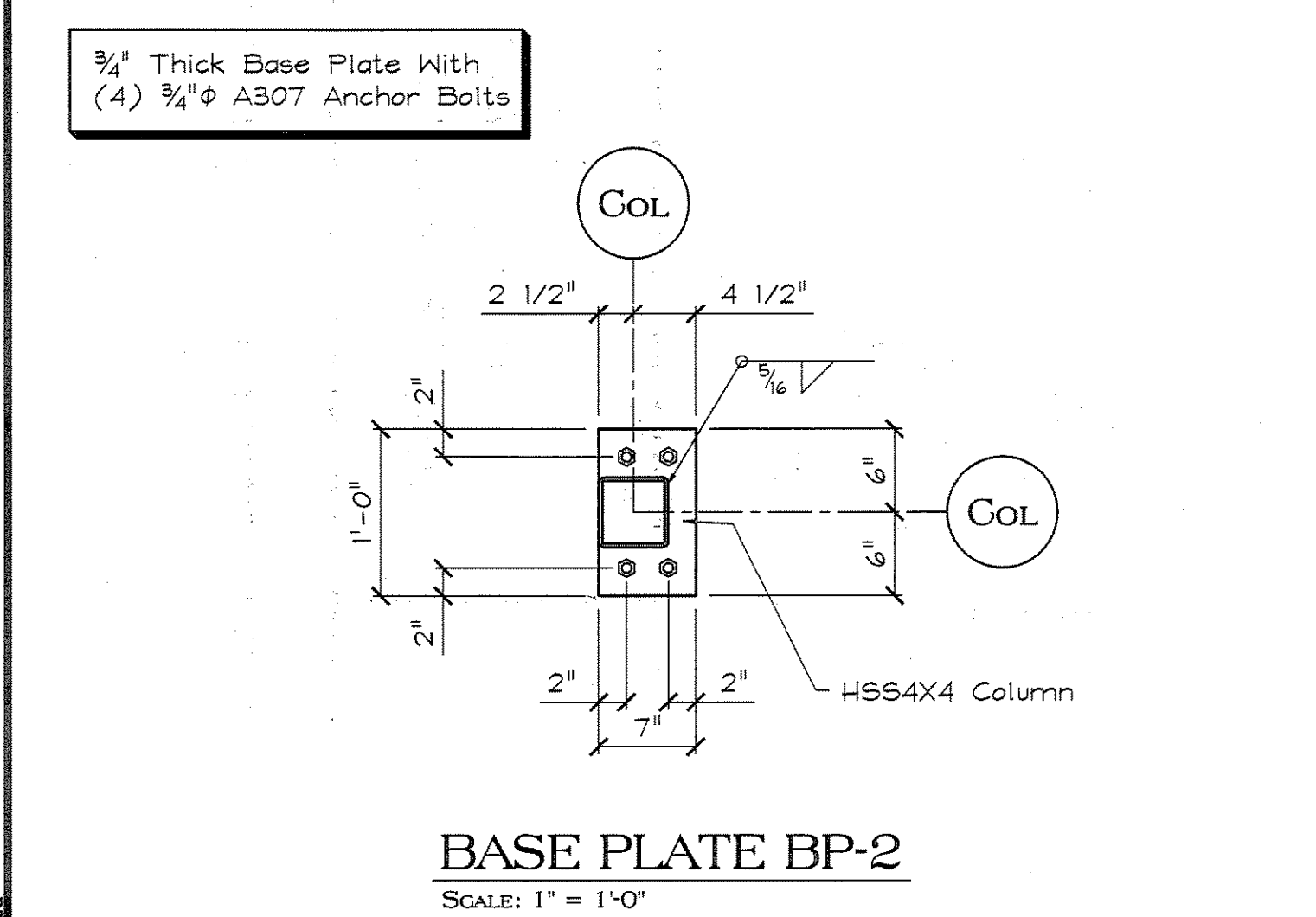
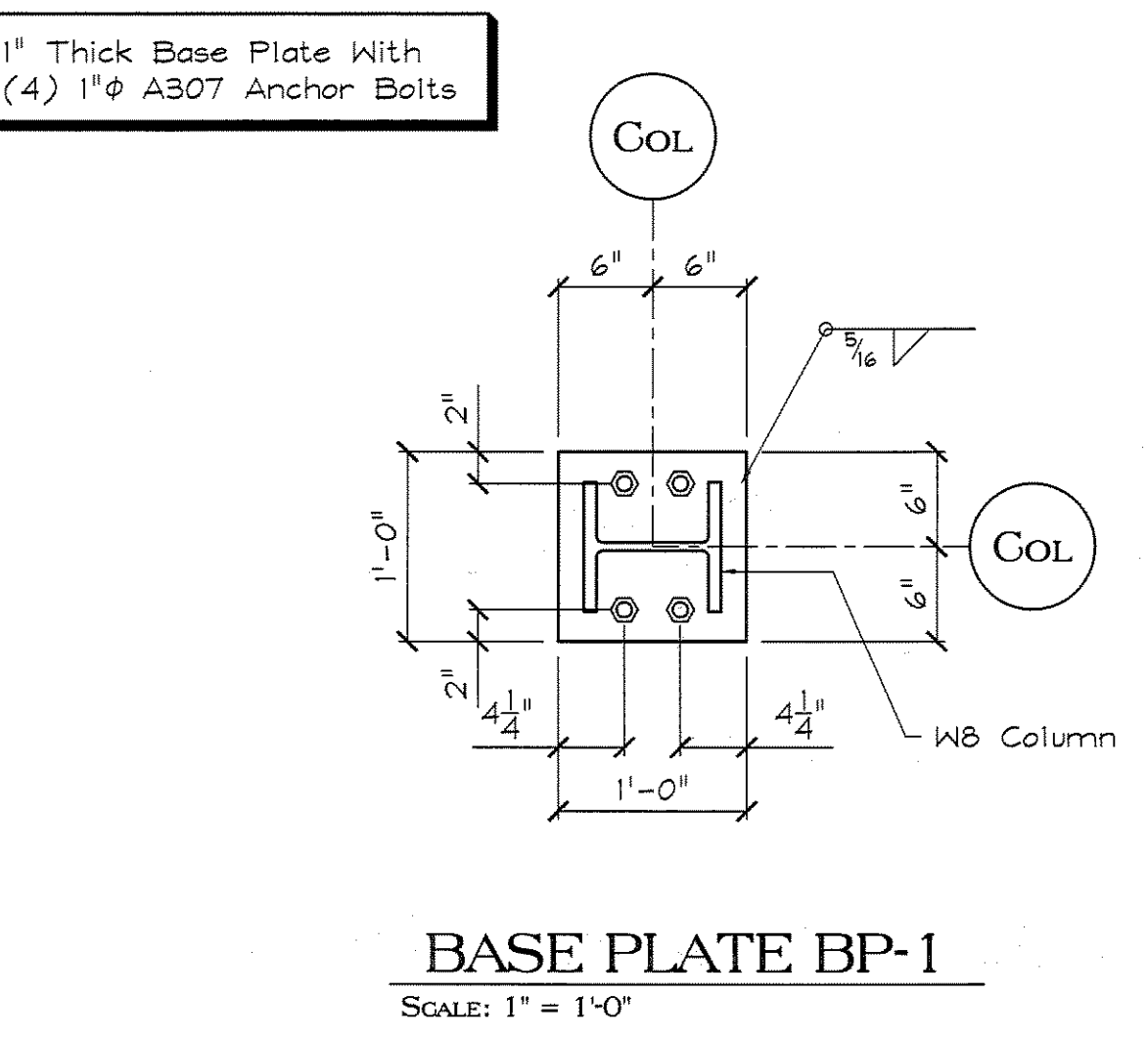
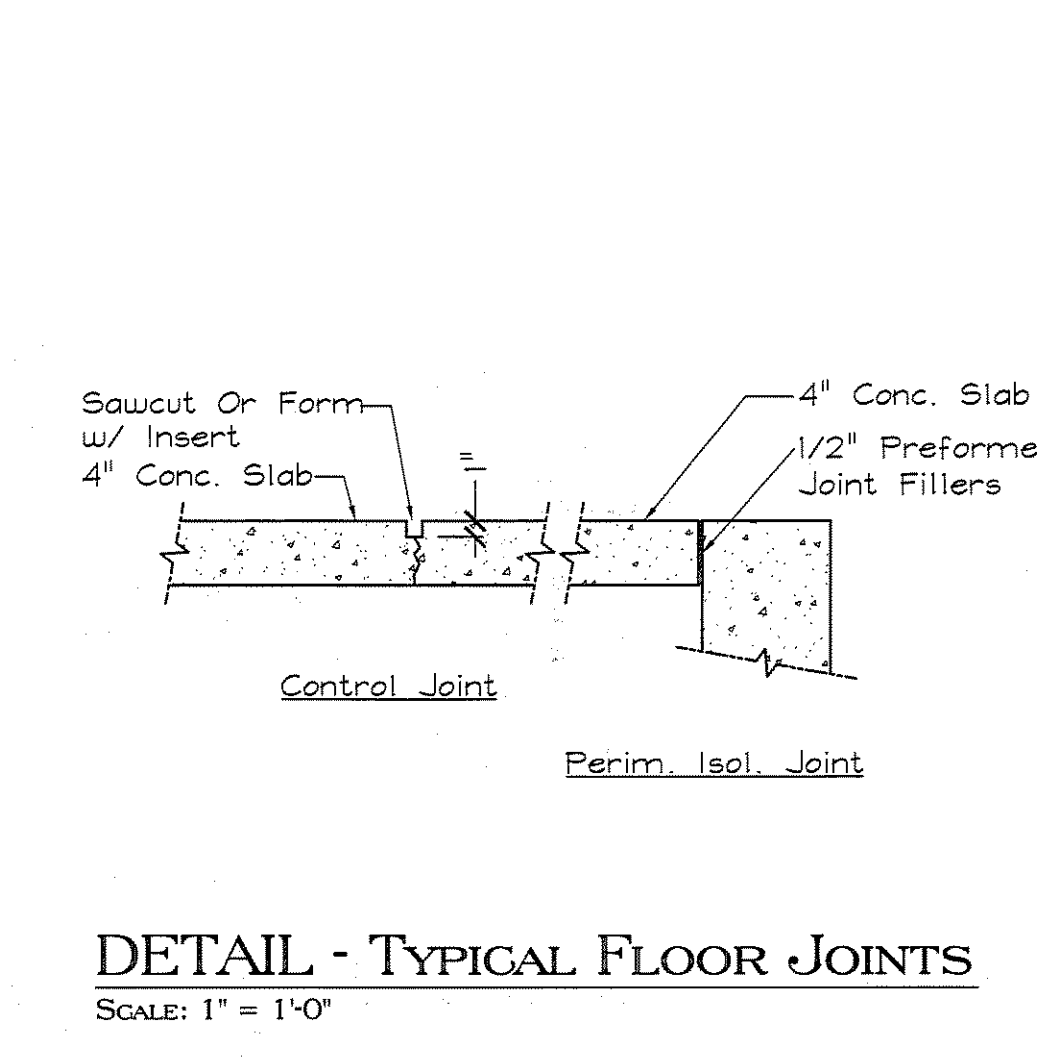
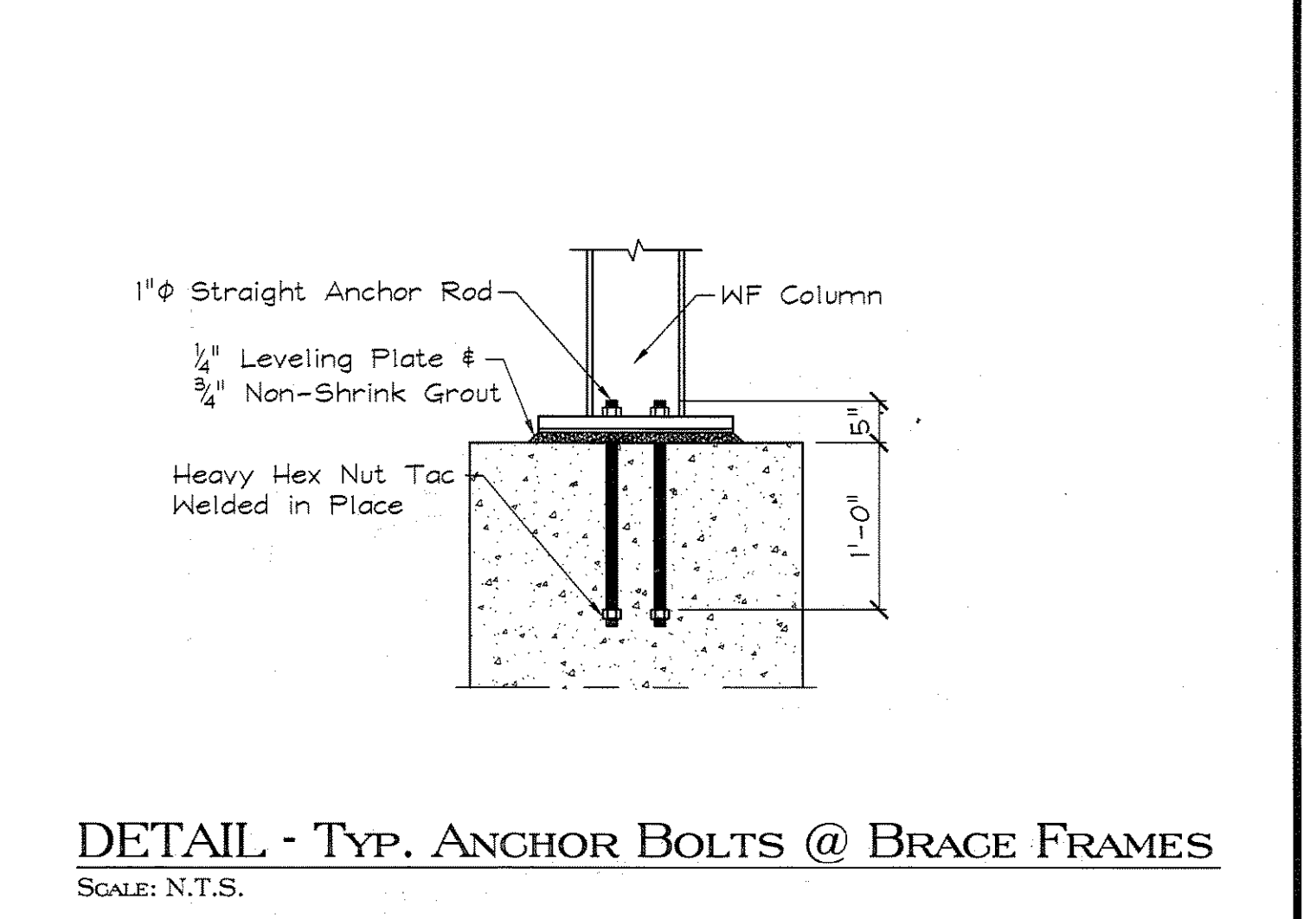
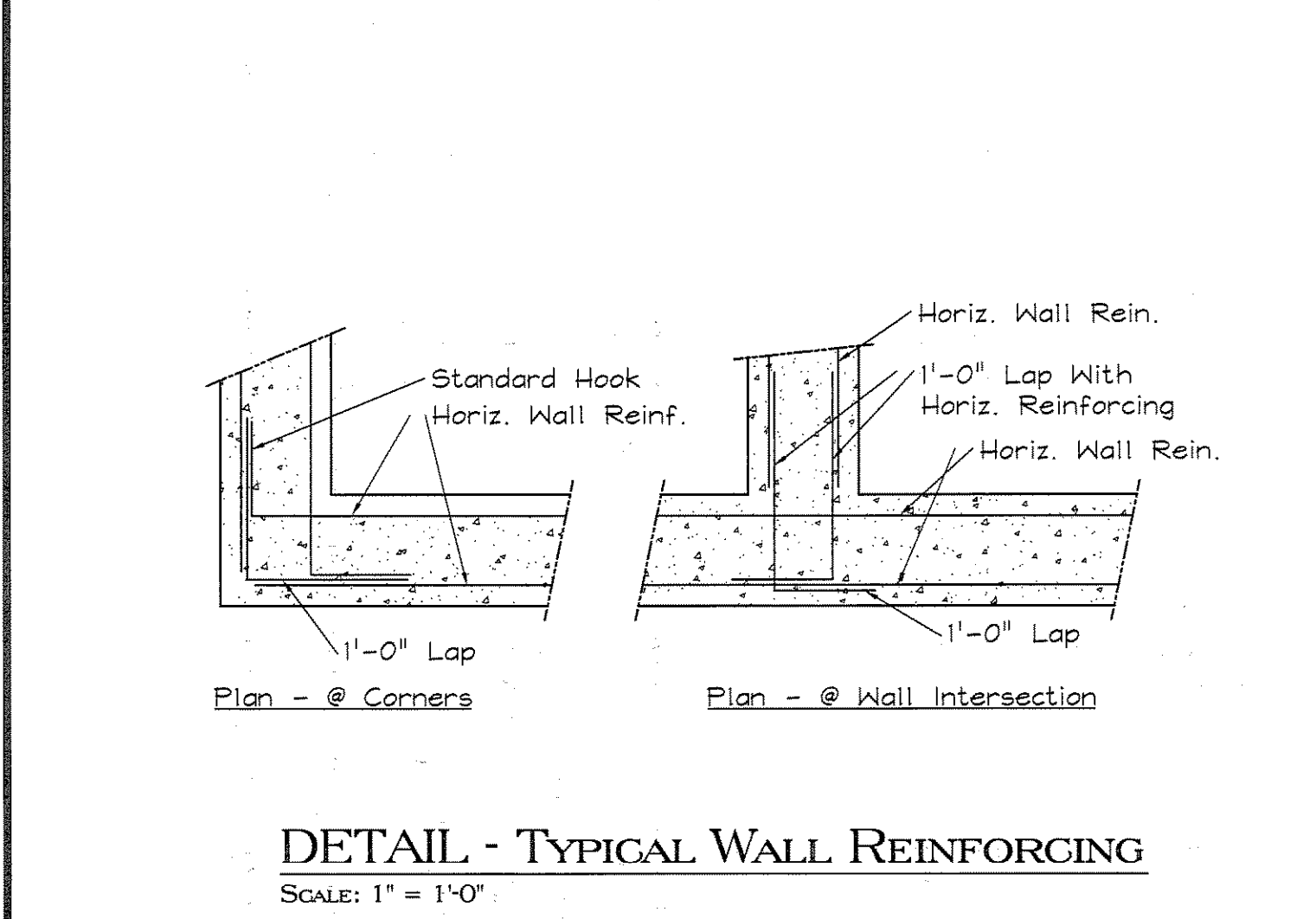
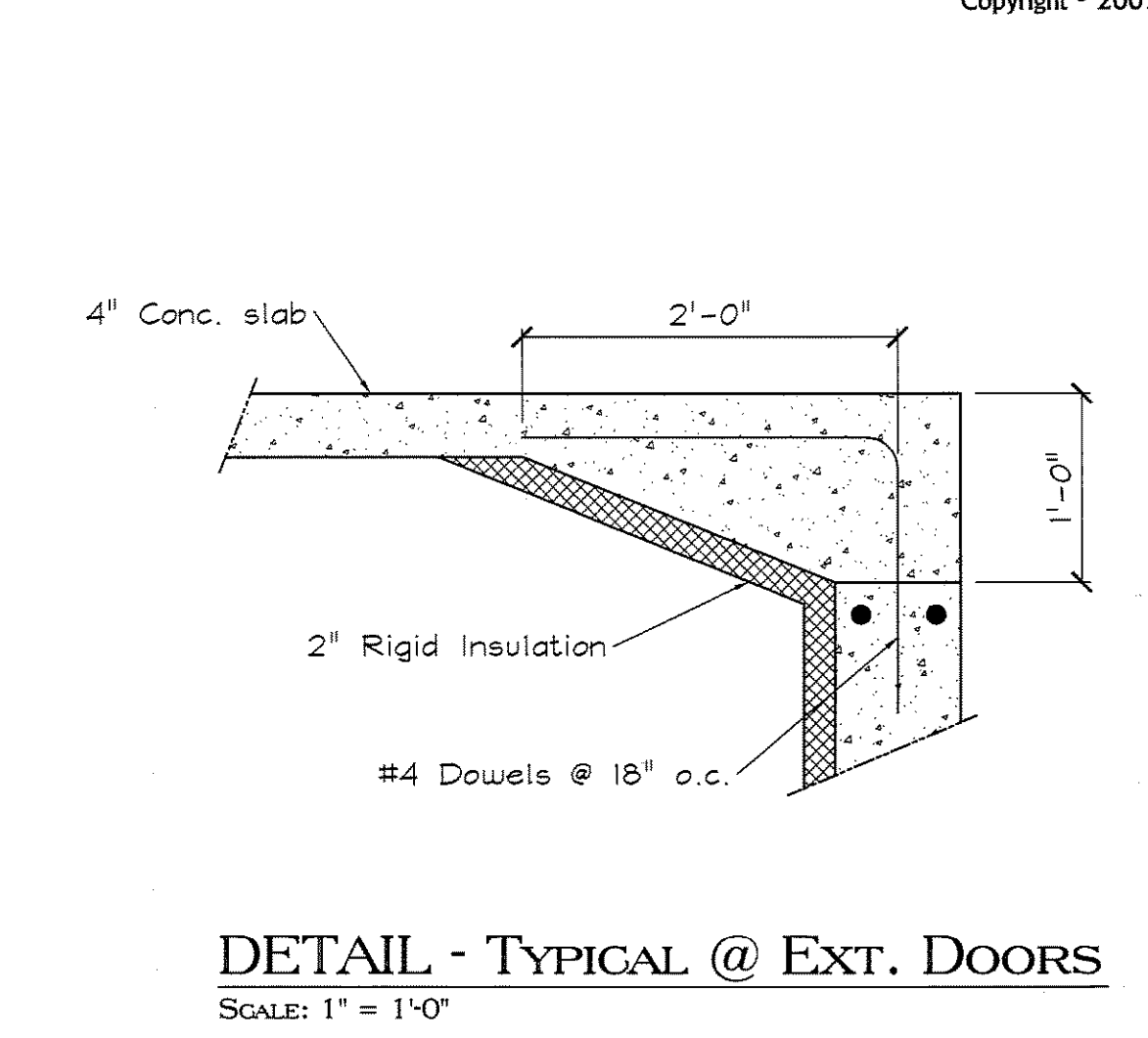


REBAR SPLICE LENGTHS
(Unless Noted Otherwise)

Bar Size	Concrete		Grout in CMU Block
	3,000 psi	4,000 psi	
#3	17"	15"	18"
#4	22"	19"	24"
#5	28"	24"	30"
#6	33"	29"	36"
#7	49"	42"	42"
#8	55"	48"	48"
#9	62"	55"	55"
#10	70"	61"	61"
#11	76"	68"	68"



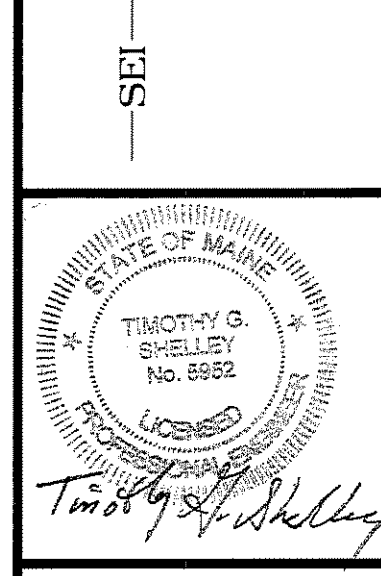
THIS DRAWING IS ISSUED:

Not For Construction	For Construction
Current Revision	Issued For Coordination
1 1-15-08	2 2-14-08
Issued For Construction	Issued For Construction

DRN BY: TRB	CHKD BY: TCS
DATE: 2-14-08	SCALE: AS NOTED
JOB NO.: 2007-002	

THE ESTATES OF LONGFELLOW INN
130 EASTERN PROMENADE
CASCO BAY VENTURES
PORTLAND, MAINE

SHELLEY ENGINEERING, INC.
STRUCTURAL CONSULTANTS
90 BROAD STREET
WESTBROOK, MAINE 04092
PHONE: (207) 854-5455
FAX: (207) 854-8706
WWW.SHELLEYENGINEERING.COM



Reproduction of this document without the written consent of Shelley Engineering, Inc. is prohibited.