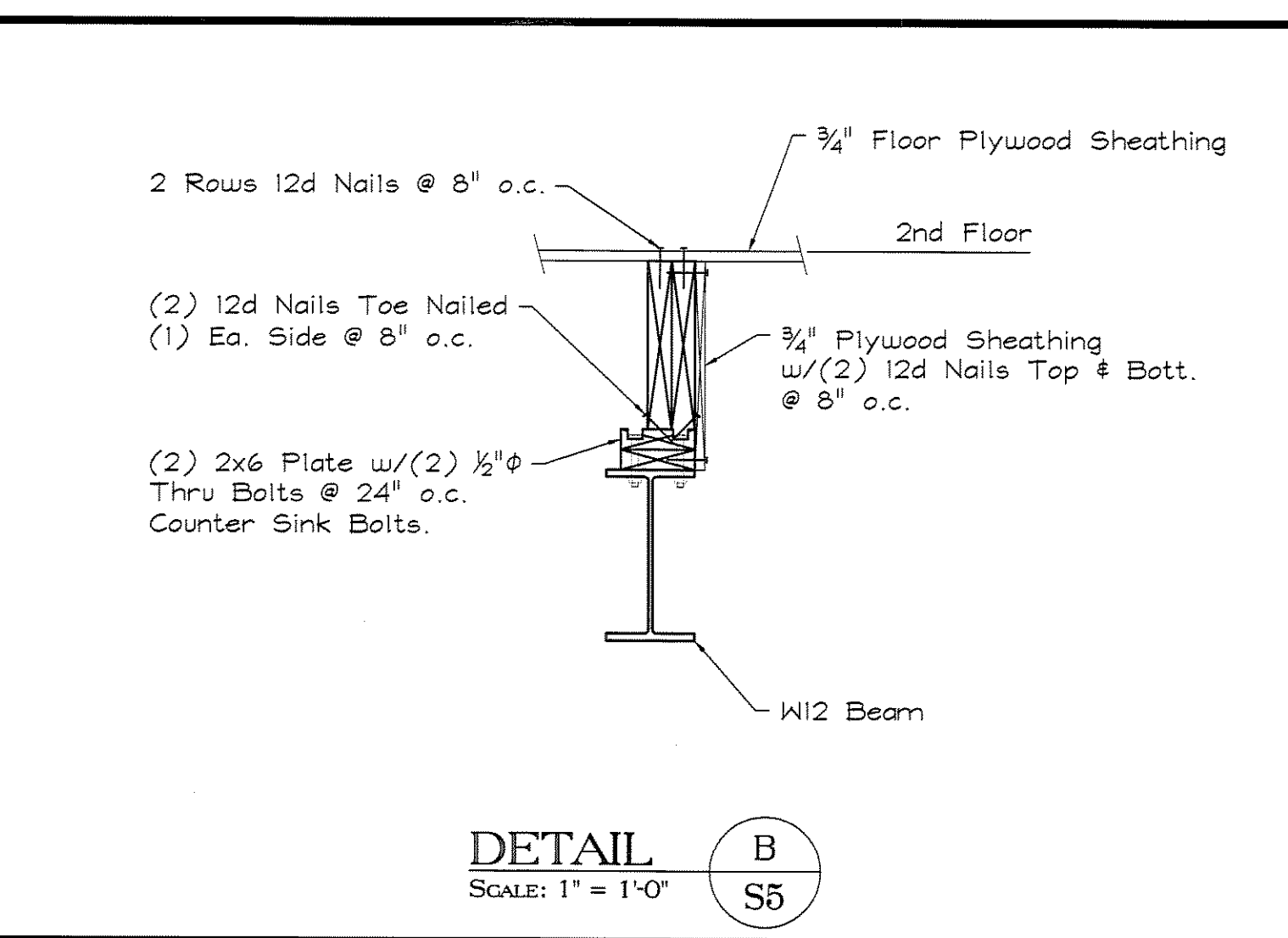
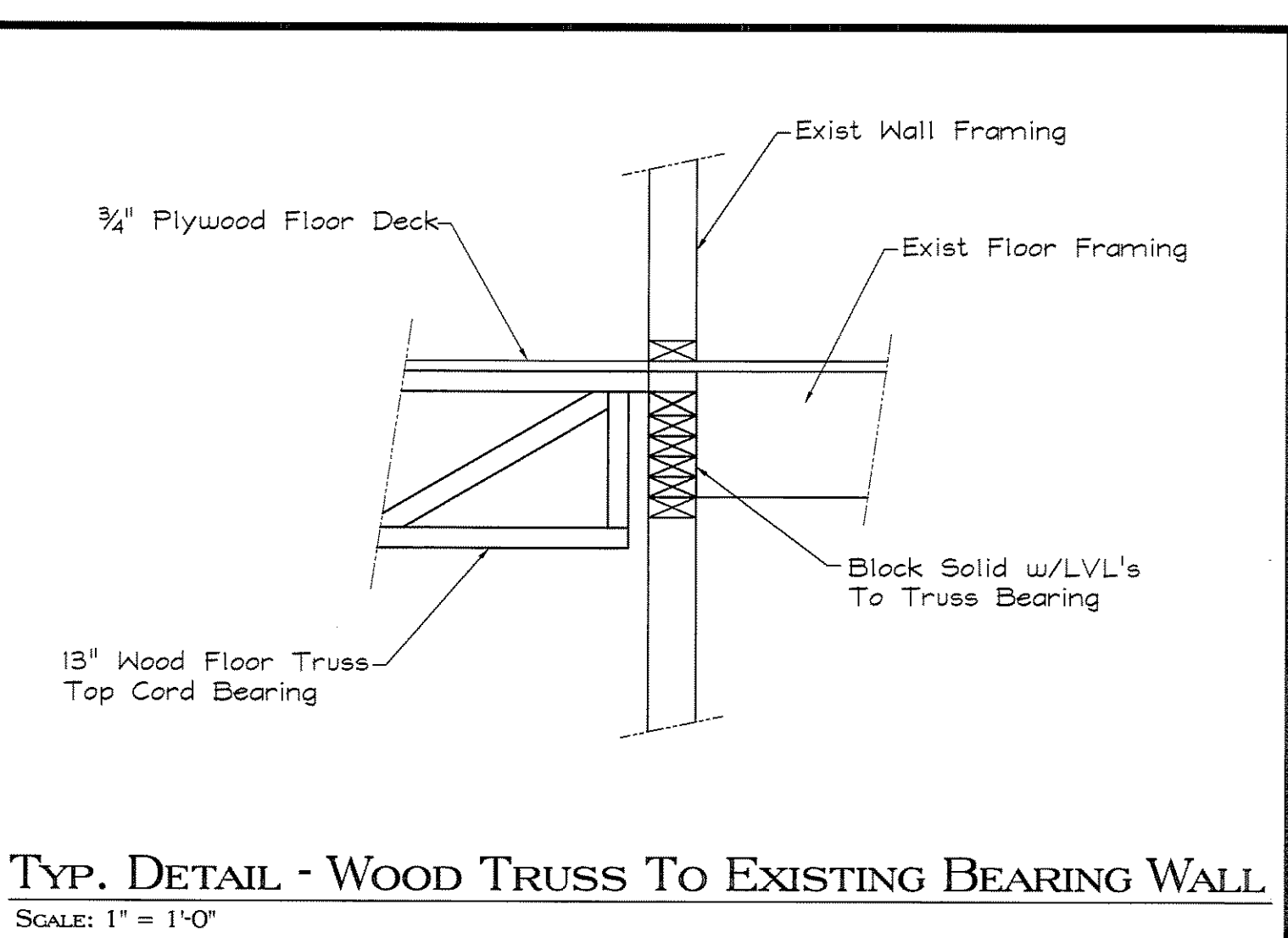


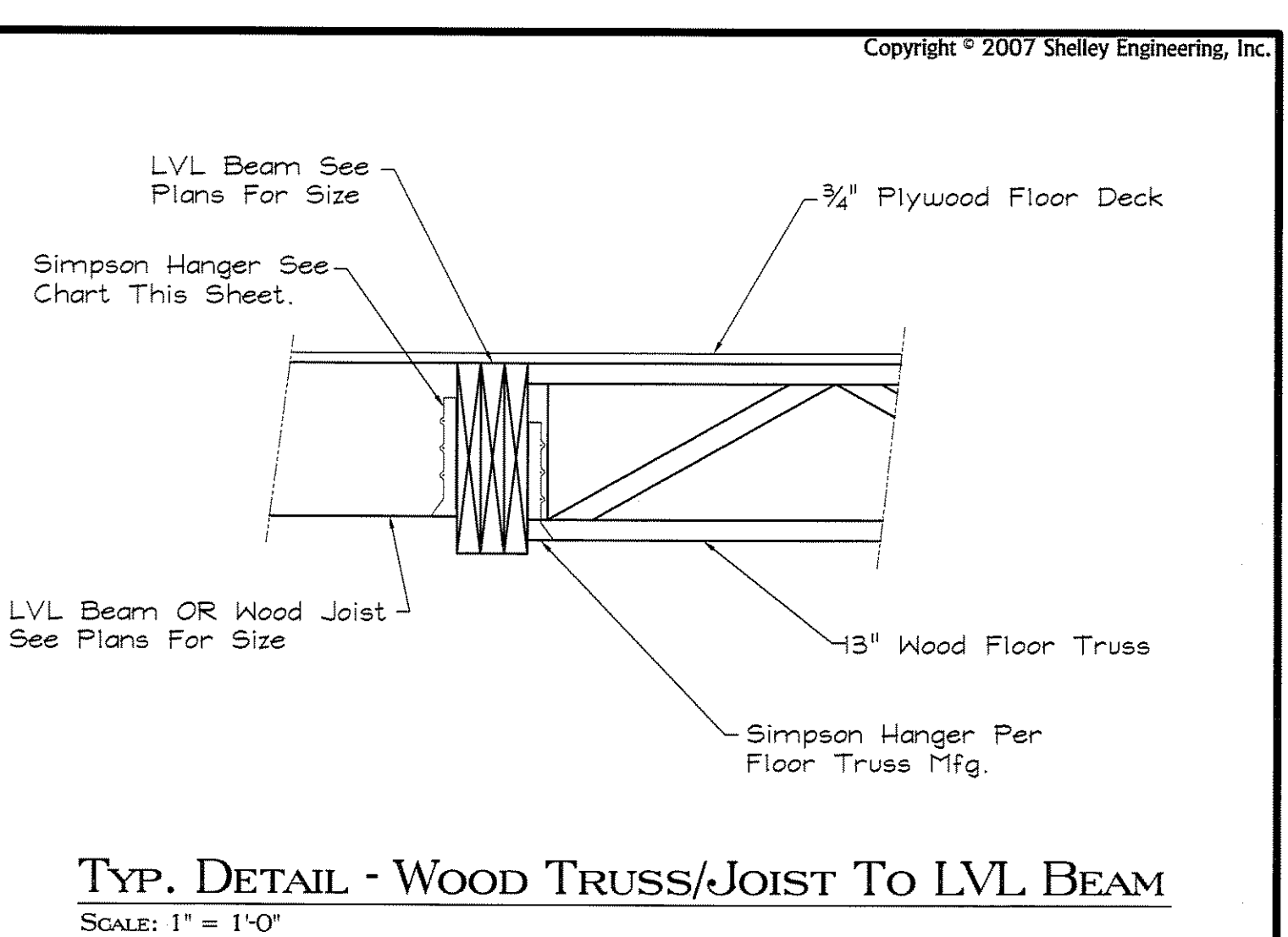
DETAIL A
SCALE: 1" = 1'-0"



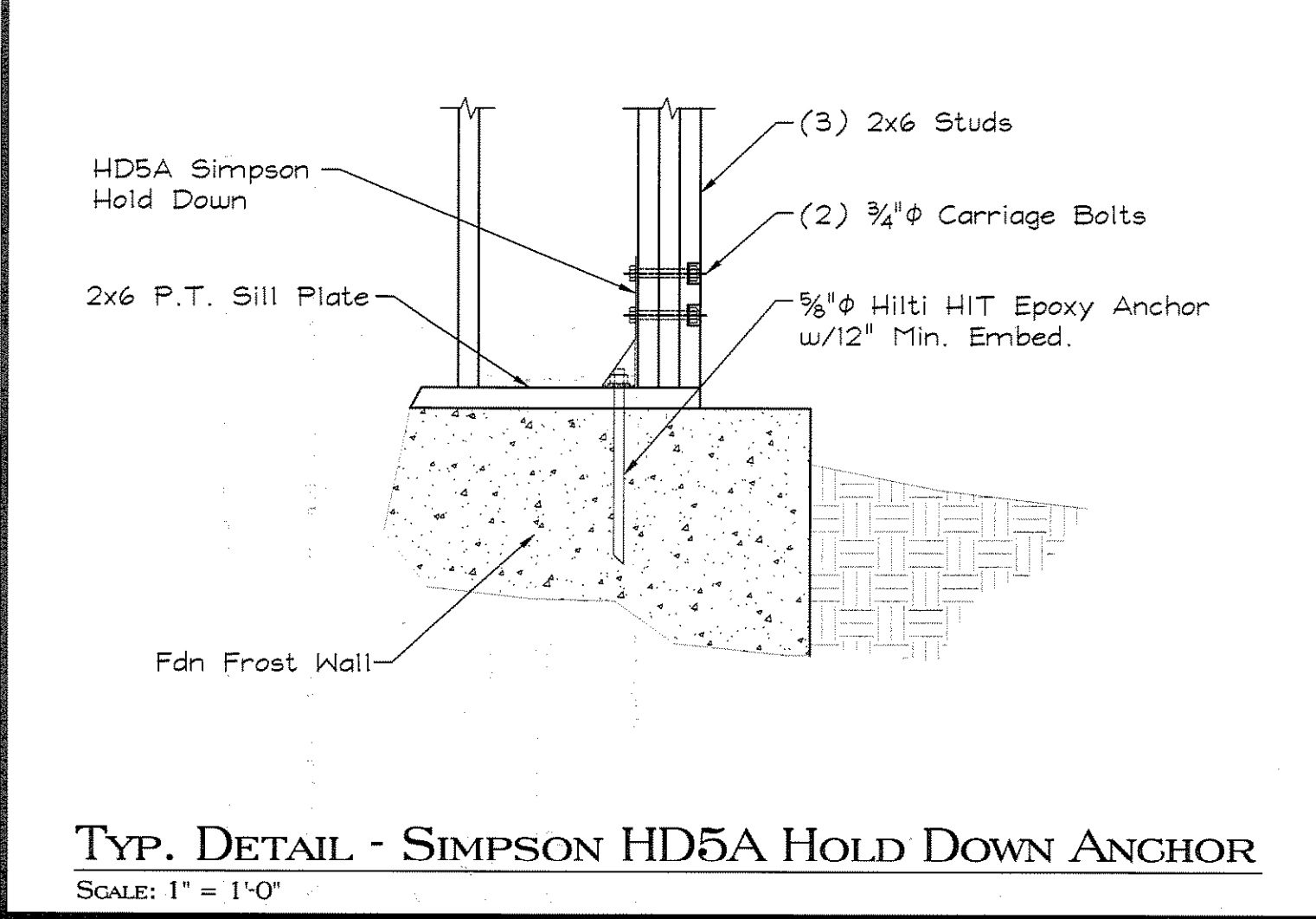
DETAIL B
SCALE: 1" = 1'-0"



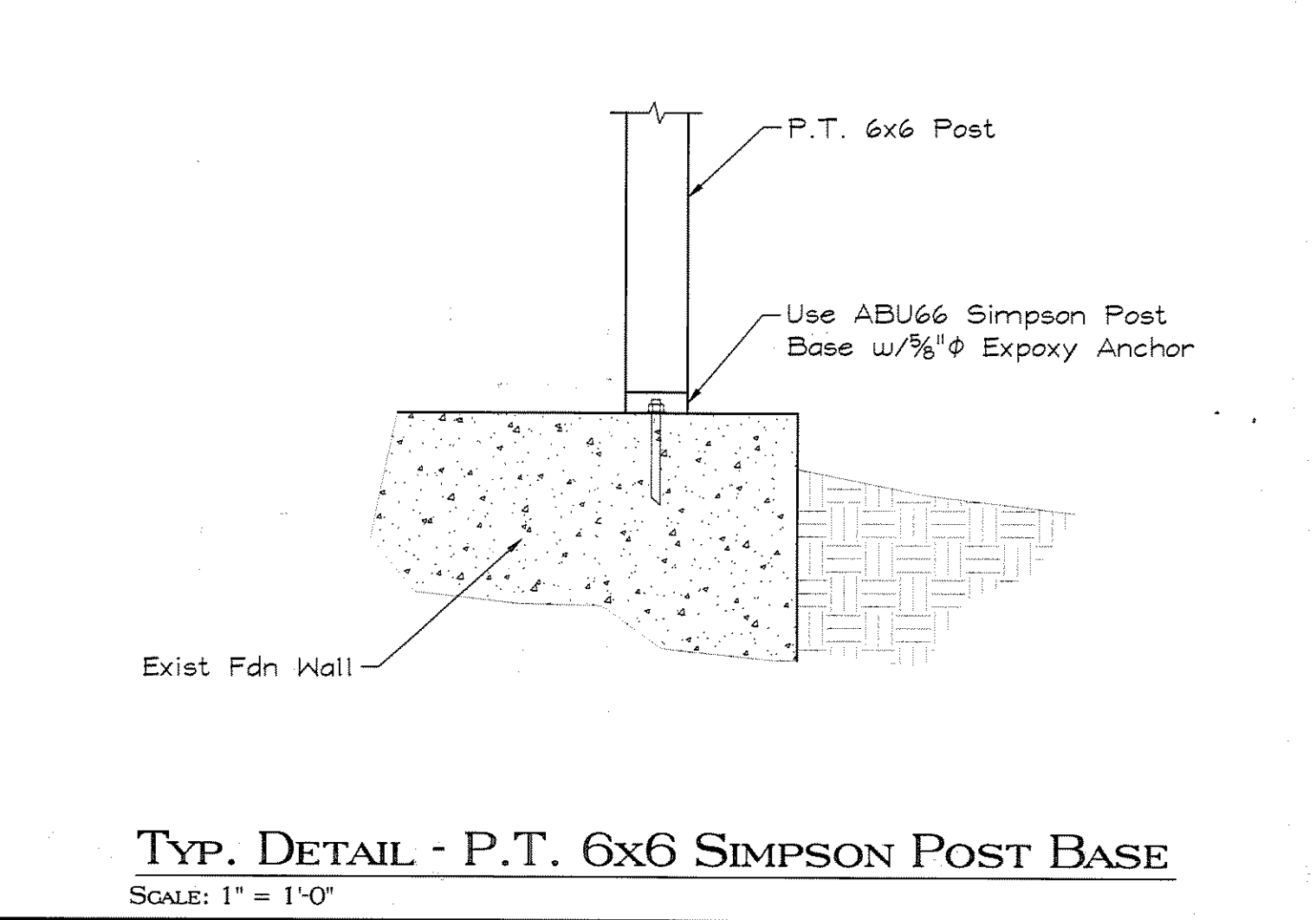
TYP. DETAIL - WOOD TRUSS TO EXISTING BEARING WALL
SCALE: 1" = 1'-0"



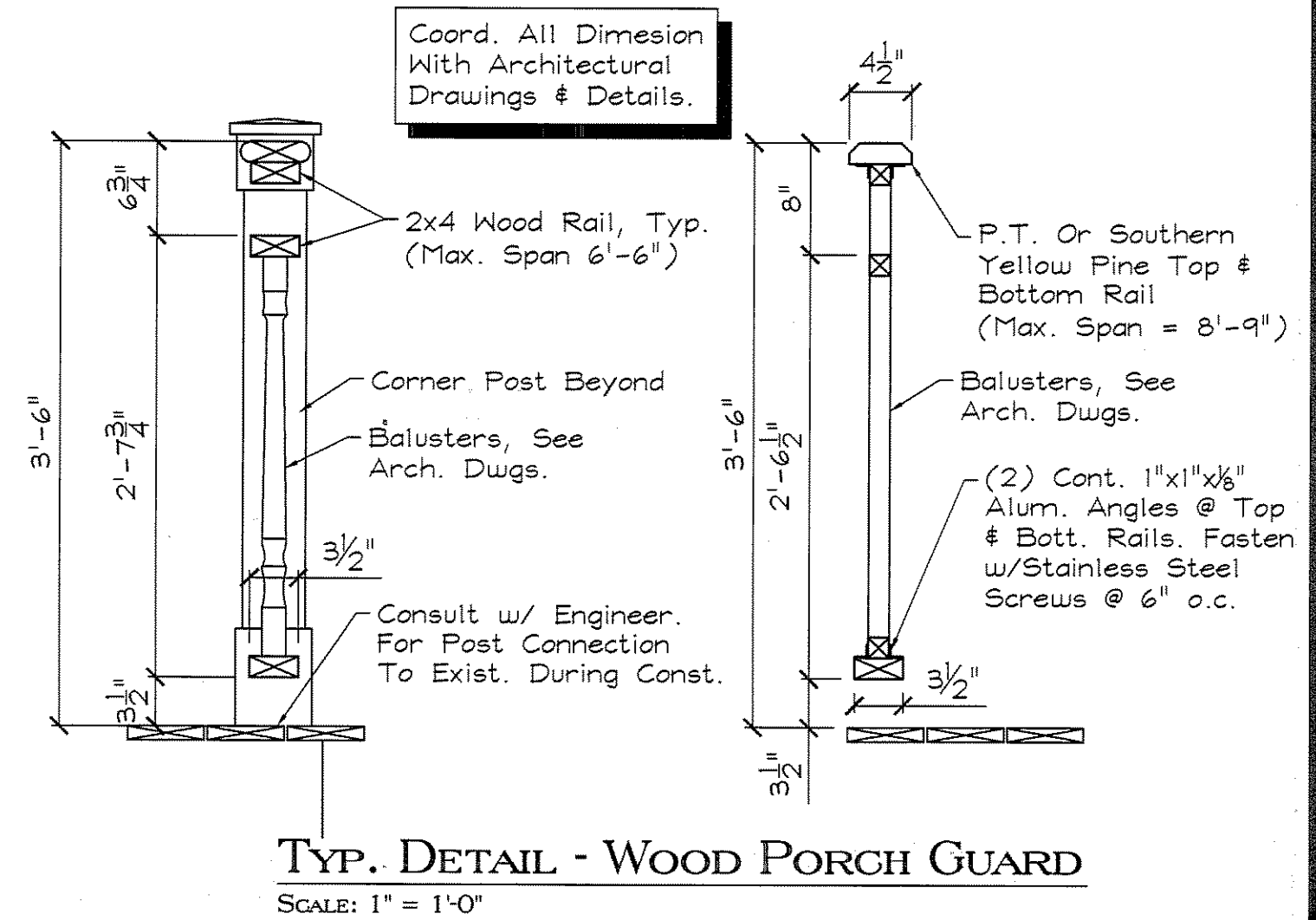
TYP. DETAIL - WOOD TRUSS/JOIST TO LVL BEAM
SCALE: 1" = 1'-0"



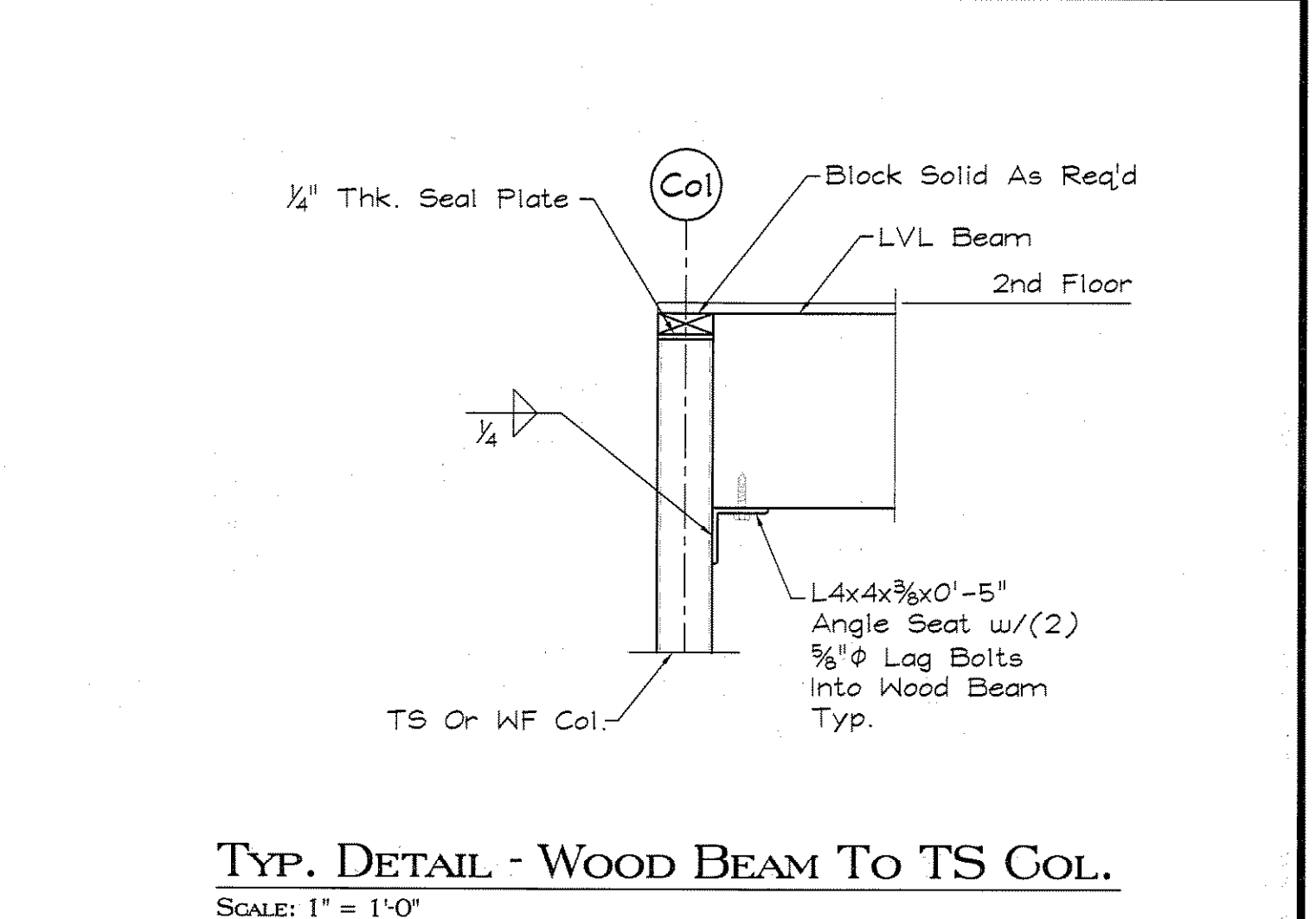
TYP. DETAIL - SIMPSON HD5A HOLD DOWN ANCHOR
SCALE: 1" = 1'-0"



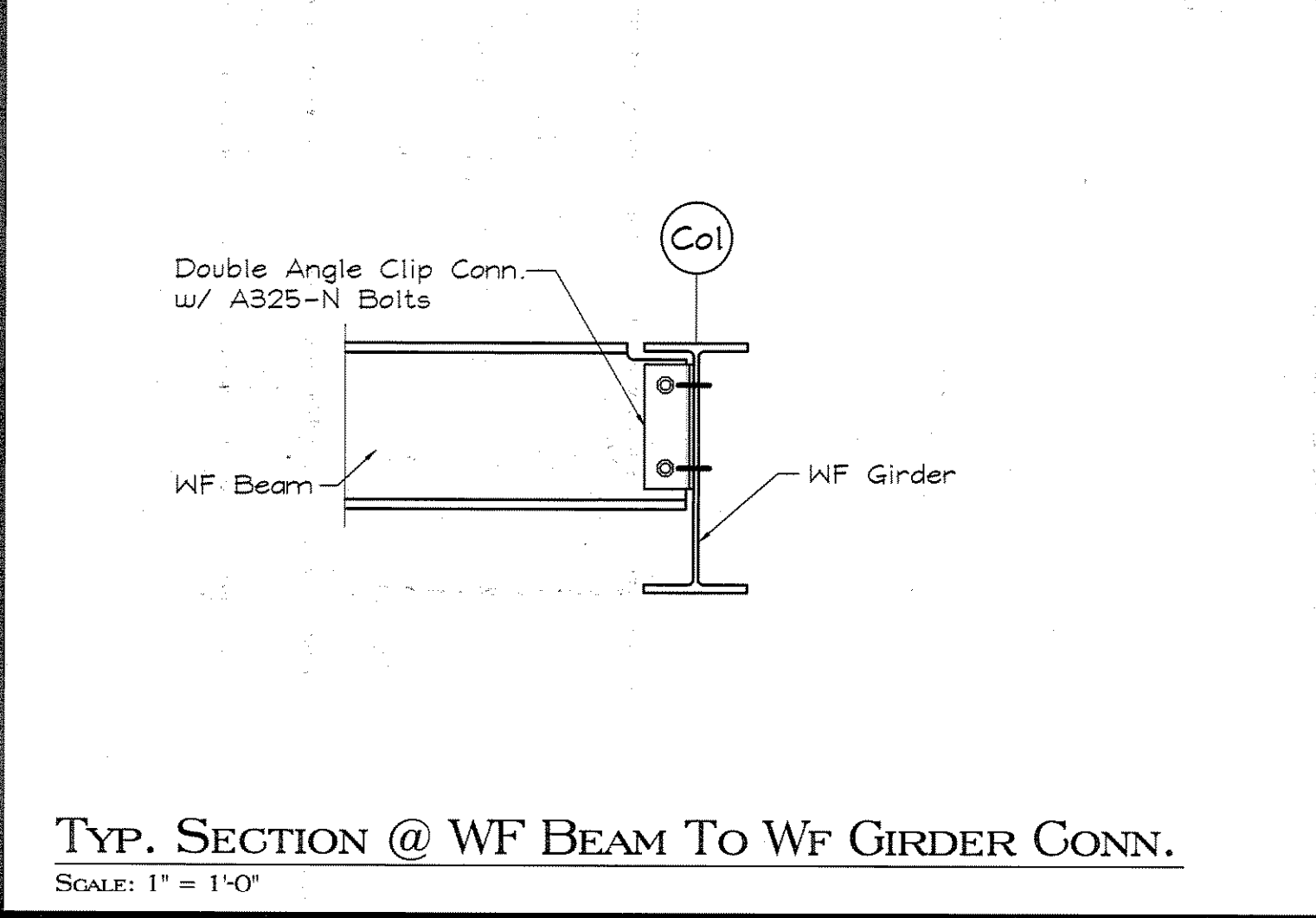
TYP. DETAIL - P.T. 6x6 SIMPSON POST BASE
SCALE: 1" = 1'-0"



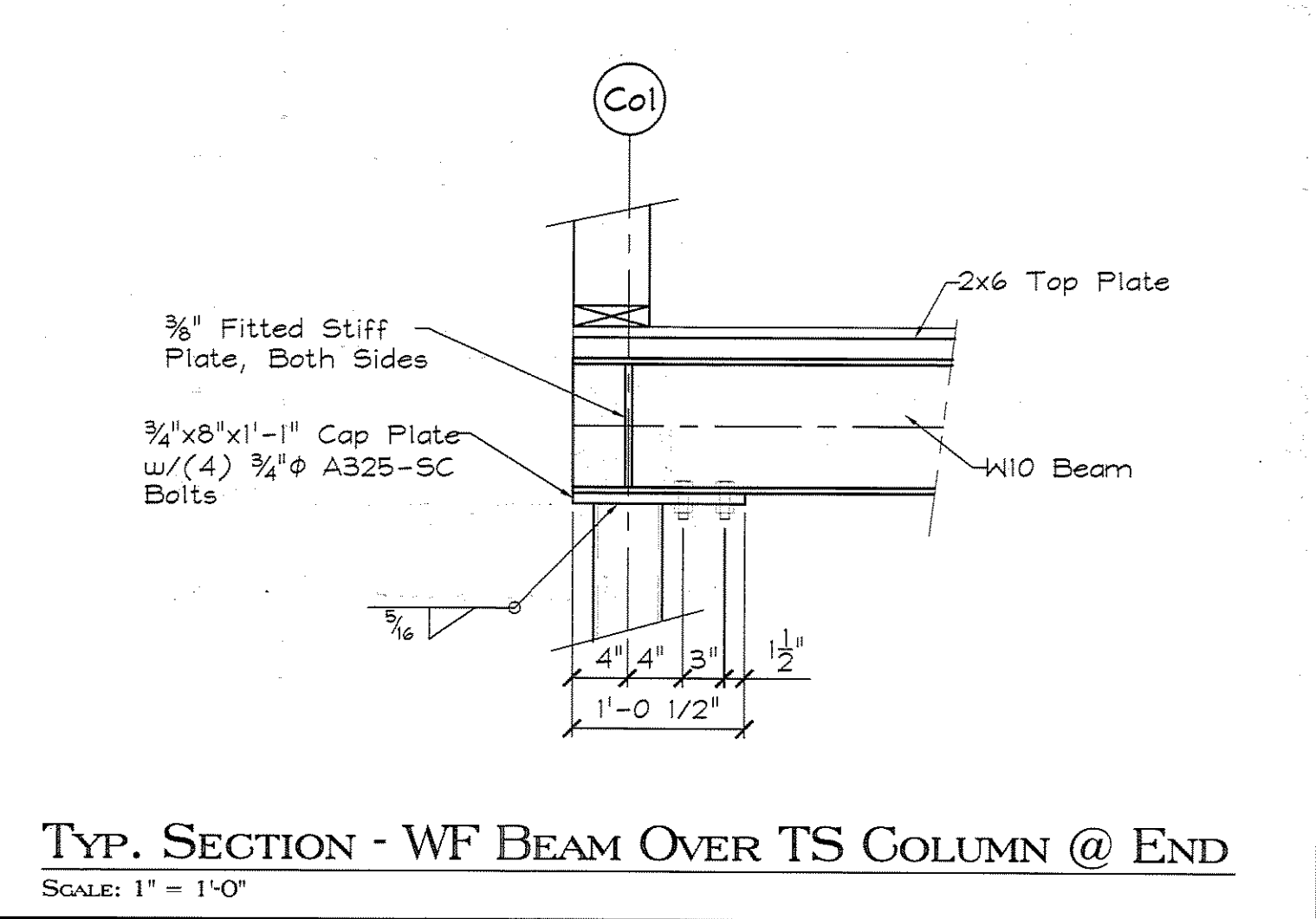
TYP. DETAIL - WOOD PORCH GUARD
SCALE: 1" = 1'-0"



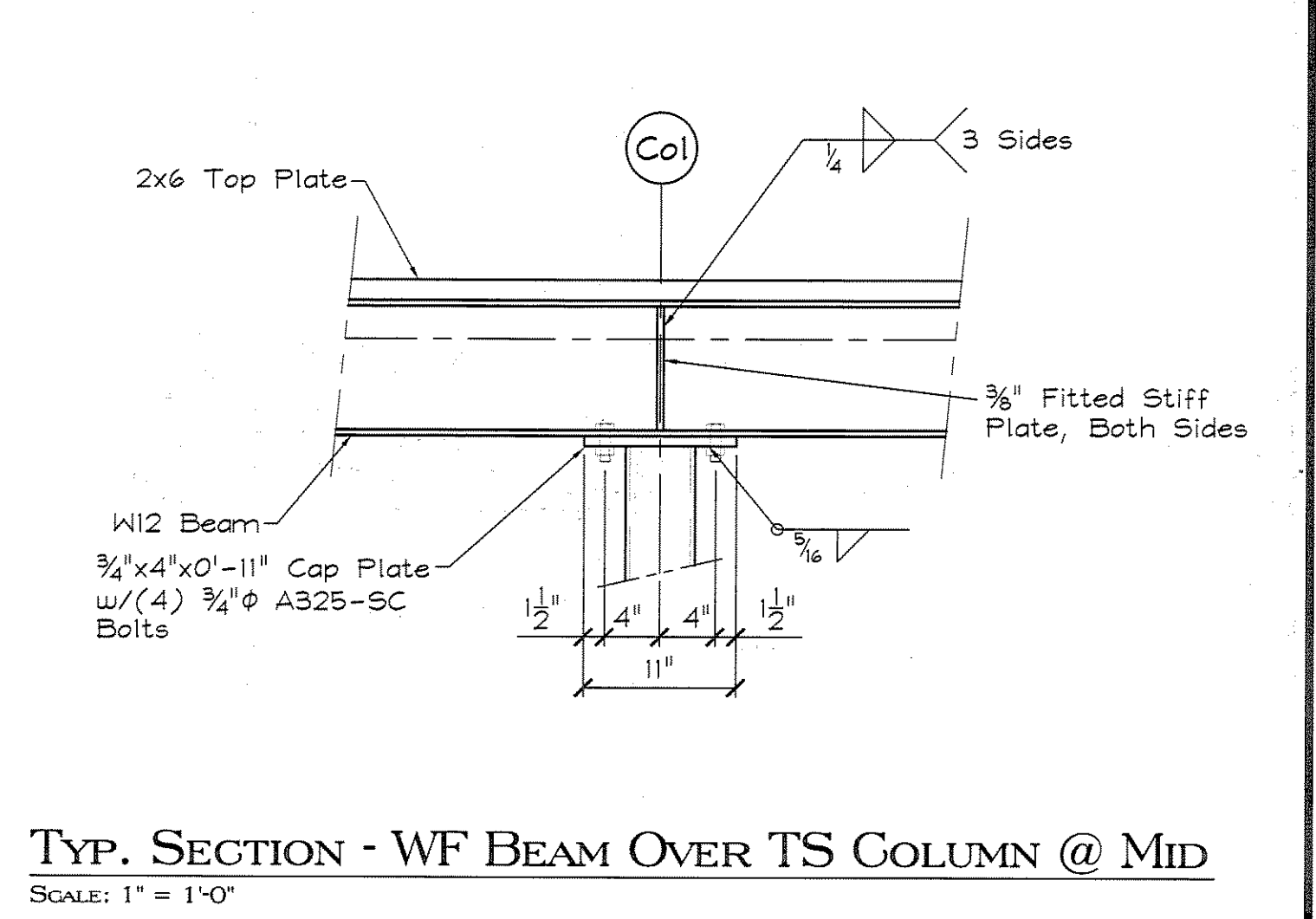
TYP. DETAIL - WOOD BEAM TO TS COL.
SCALE: 1" = 1'-0"



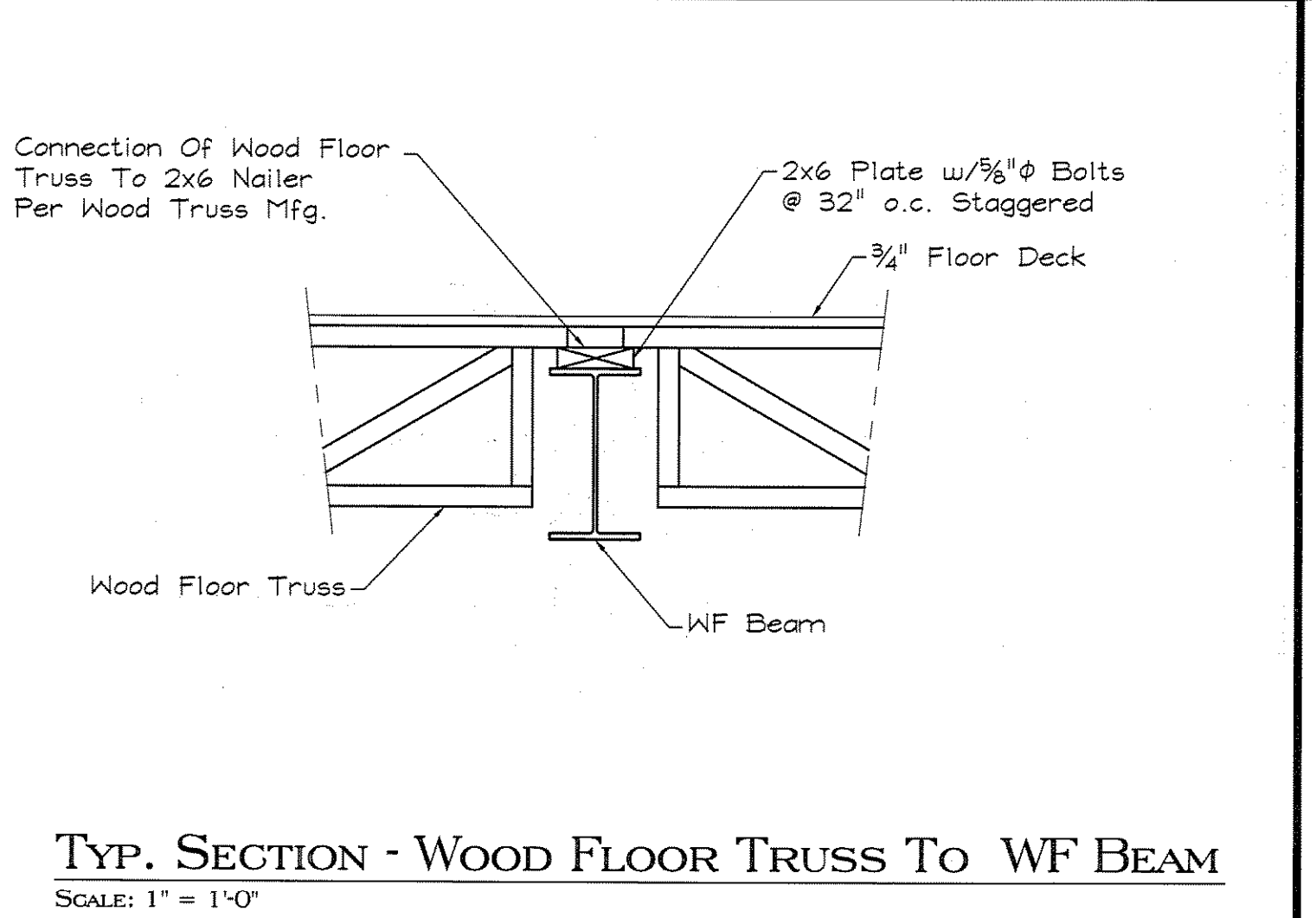
TYP. SECTION @ WF BEAM TO WF GIRDER CONN.
SCALE: 1" = 1'-0"



TYP. SECTION - WF BEAM OVER TS COLUMN @ END
SCALE: 1" = 1'-0"



TYP. SECTION - WF BEAM OVER TS COLUMN @ MID
SCALE: 1" = 1'-0"



TYP. SECTION - WOOD FLOOR TRUSS TO WF BEAM
SCALE: 1" = 1'-0"

Simpson Connector Chart	
Member Size	Simpson Hanger
2x6	LU26
2x8	LU26
2x10	LUS28
(2) 2x10	LU28-2
(3) 2x10	LU210-3
1 3/4" x 7 1/4" LVL	HU7 (Min.)
(2) 1 3/4" x 9 1/4" LVL	HHUS410
(3) 1 3/4" x 9 1/4" LVL	HHUS5.50/10
(2) 1 3/4" x 13" LVL	LBV3.56/13

DETAIL-TYP. SIMPSON CONNECTOR CHART
SCALE: N.T.S.

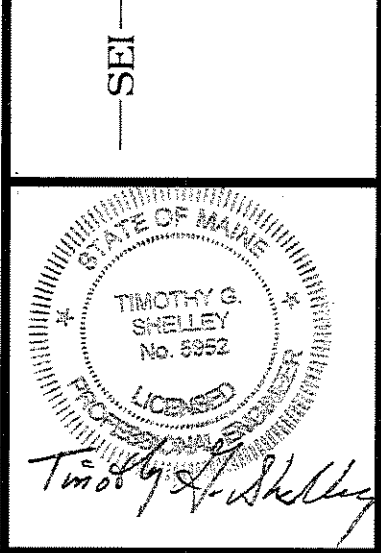
THIS DRAWING IS ISSUED:	
<input type="checkbox"/> Not For Construction	<input checked="" type="checkbox"/> For Construction
CURRENT REVISION	
1	1-15-08 ISSUED FOR COORDINATION
2	2-14-08 ISSUED FOR CONSTRUCTION

DIRN BY:	TRB
CHKD BY:	JCS
DATE:	2-14-08
SCALE:	AS NOTED
JOB NO.:	2007-002

THE ESTATES OF LONGFELLOW INN
130 EASTERN PROMENADE
CASCO BAY VENTURES

MAINE
PORTLAND

SHELLEY ENGINEERING, INC.
STRUCTURAL CONSULTANTS
90 BRADY STREET
WESTBROOK, MAINE 04092
PHONE (207) 654-6465
FAX (207) 654-8706
WWW.SHELLEYENGINEERING.COM



SHEET TITLE:

BUILDING SECTIONS & STRUCTURAL NOTES

Reproduction of this document without the written consent of Shelley Engineering, Inc. is prohibited.