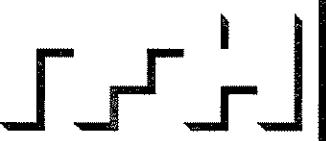


© 2007 TFH ARCHITECTS

THE ESTATES OF LONGFELLOW INN
 130 EASTERN PROMENADE, PORTLAND, ME
 CASCO BAY VENTURES



TFH ARCHITECTS
 100 COMMERCIAL STREET
 PORTLAND MAINE 04101
 TELEPHONE 207 775 6141
 ARCHITECTURE PLANNING

CONSULTANTS:
CIVIL:
 Land Consulting Engineers, PA
 887 Broadway
 South Portland, ME 04106
 Tel: 207-761-7300
 Fax: 1-888-207-2033
STRUCTURAL:
 Stanley Engineering, Inc.
 90 Bridge St. Suite 300
 Westbrook, ME 04092
 Ph: 207-564-5462 ext. 19
 Fax: 207-854-8709

REVISIONS:

DATE: 02.14.2008

PROJECT No. 0610

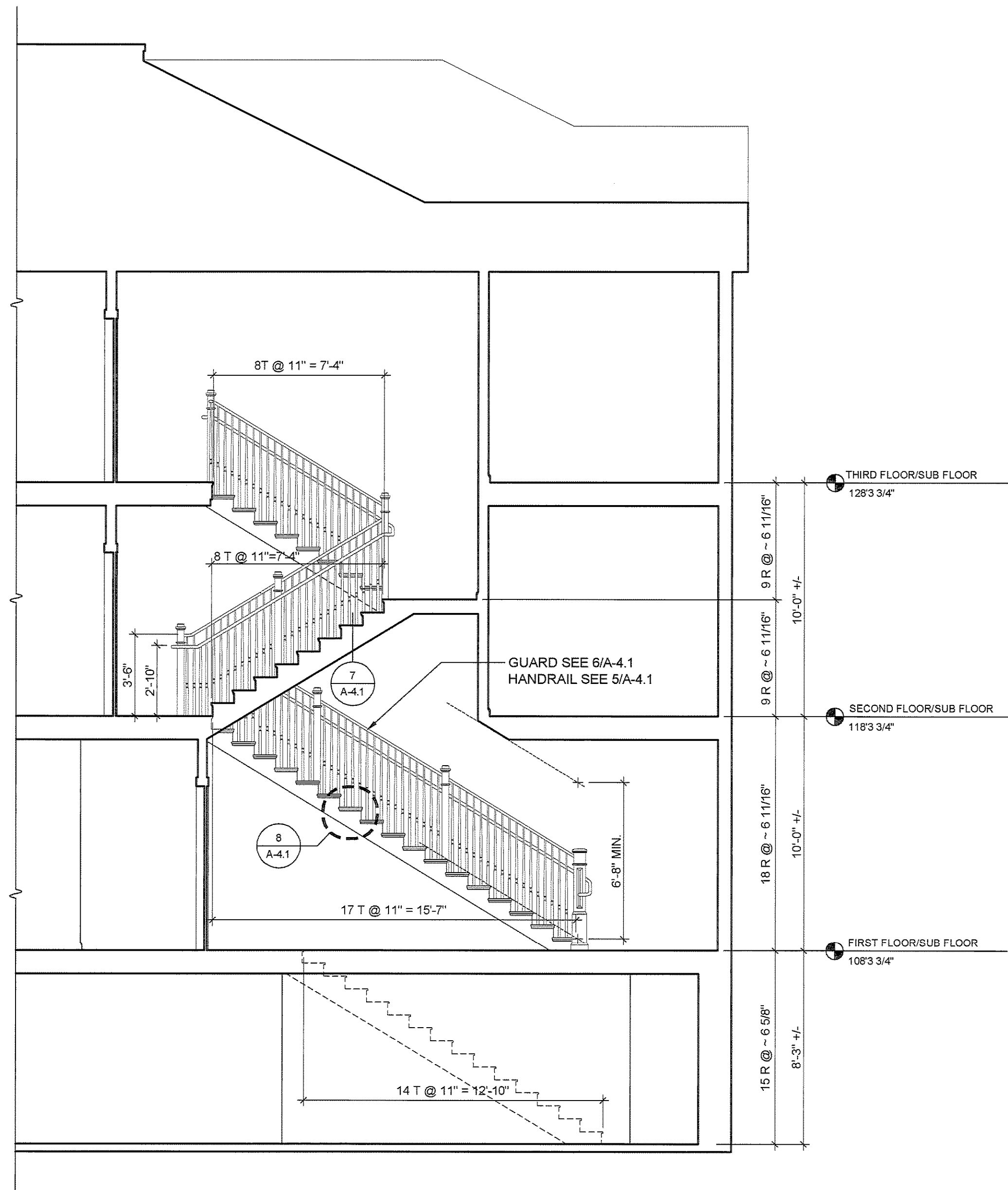
DRAWN BY: AJV

CHECKED BY: TST

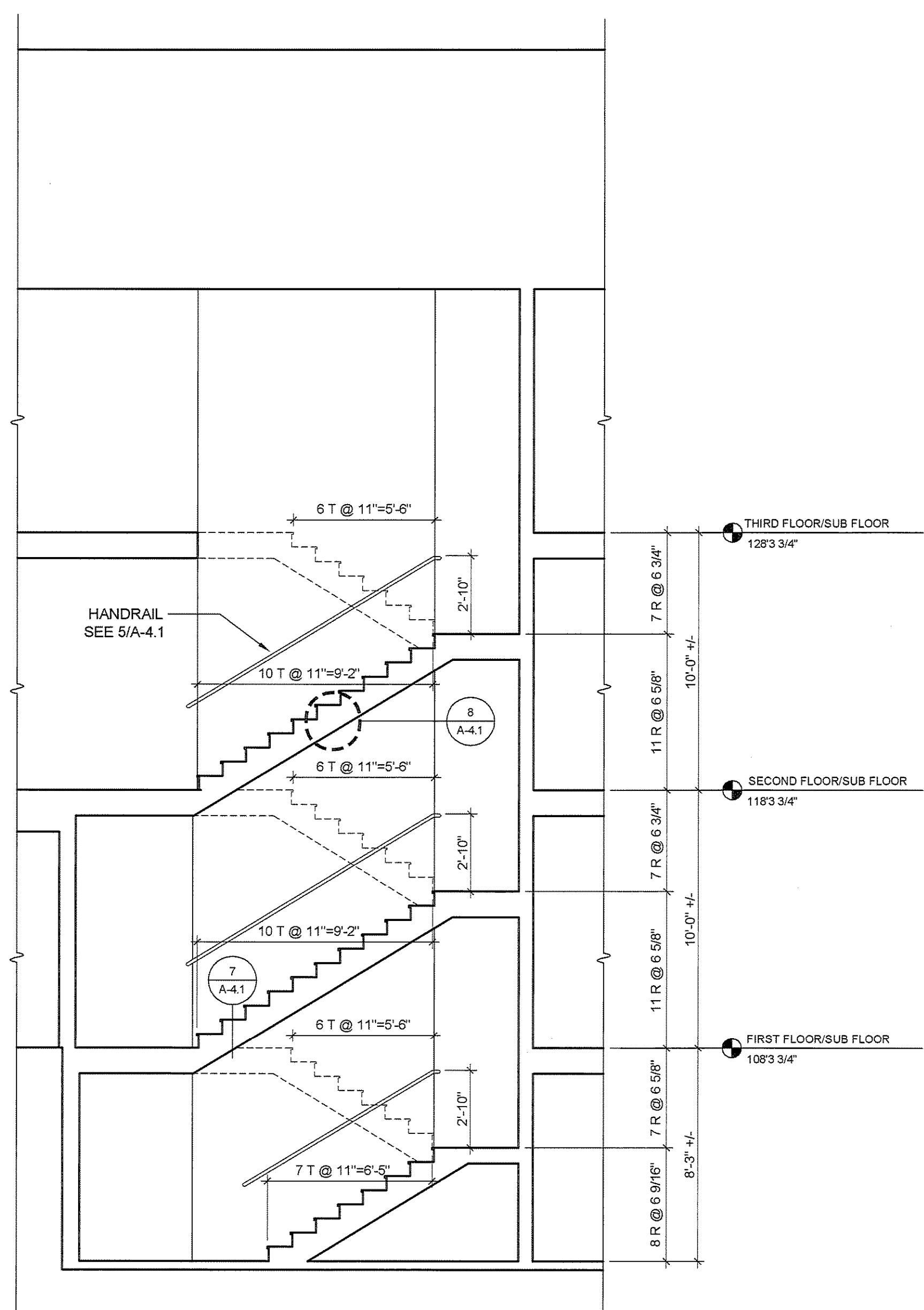
SCALE: AS NOTED

SHEET TITLE:
STAIR SECTIONS & DETAILS

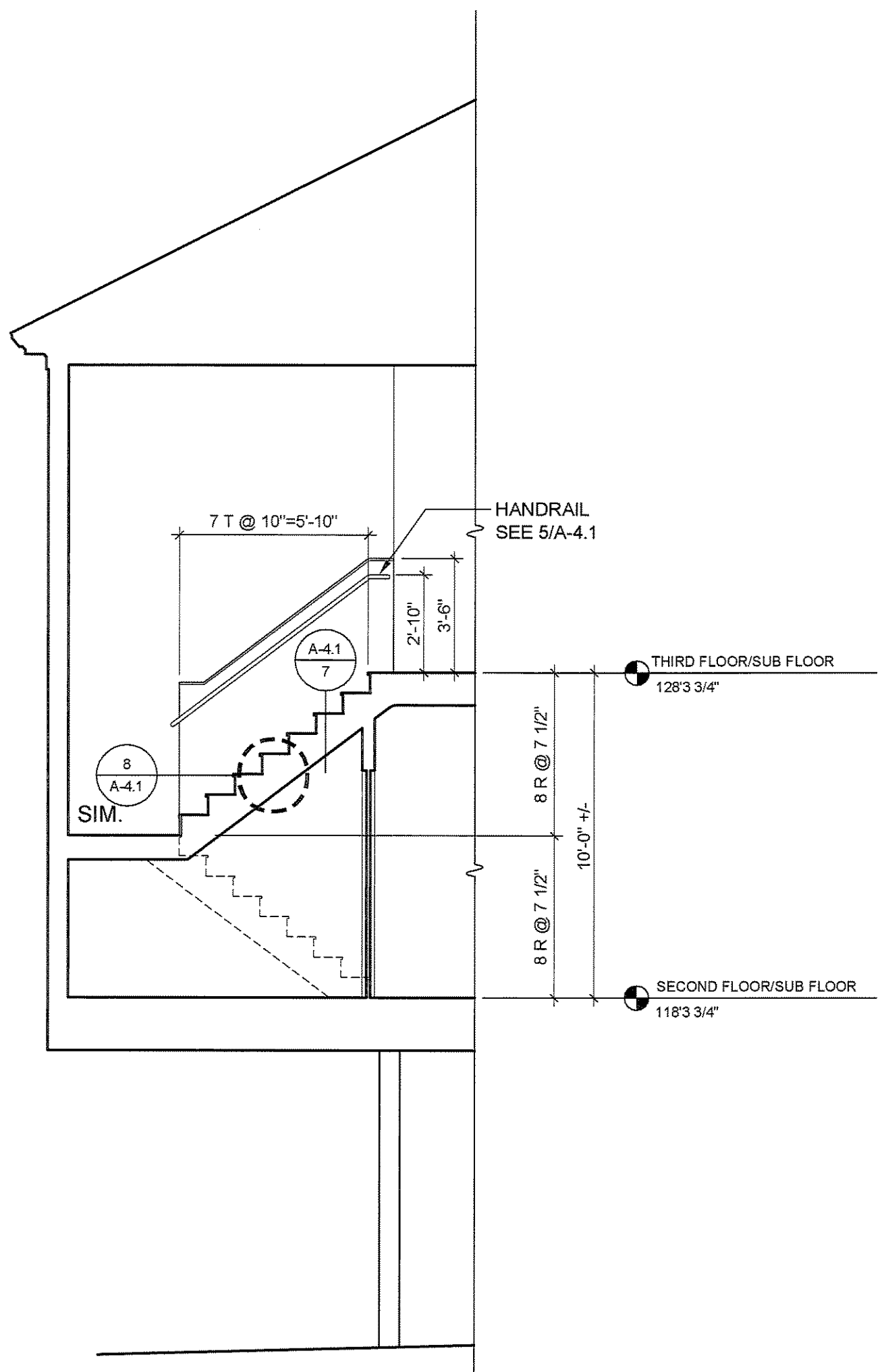
A4.1



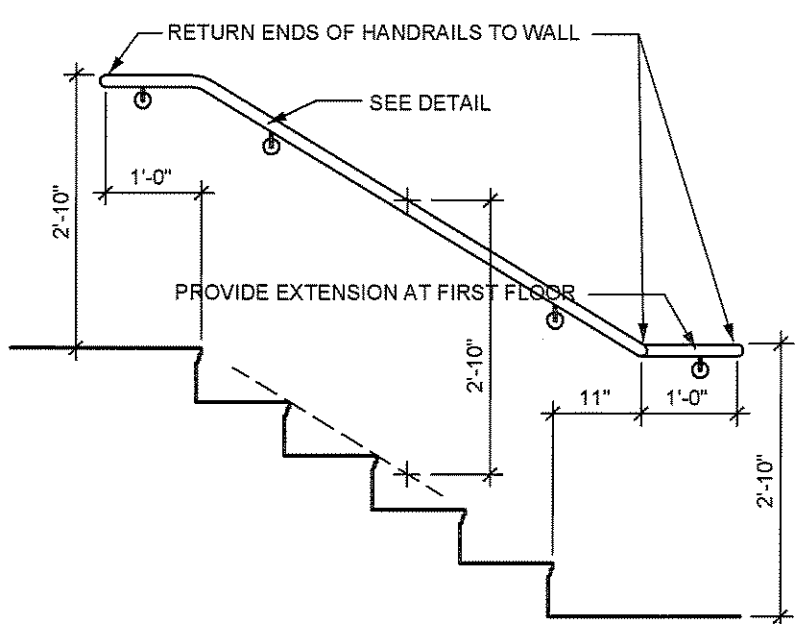
1 SECTION AT FRONT STAIR
 A4.1 1/4" = 1'-0"



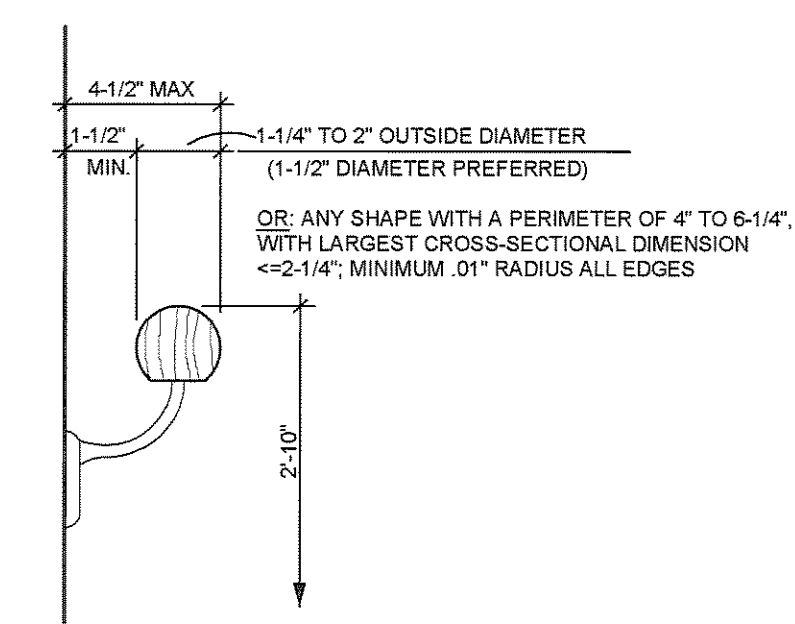
2 SECTION AT FRONT STAIR
 A4.1 1/4" = 1'-0"



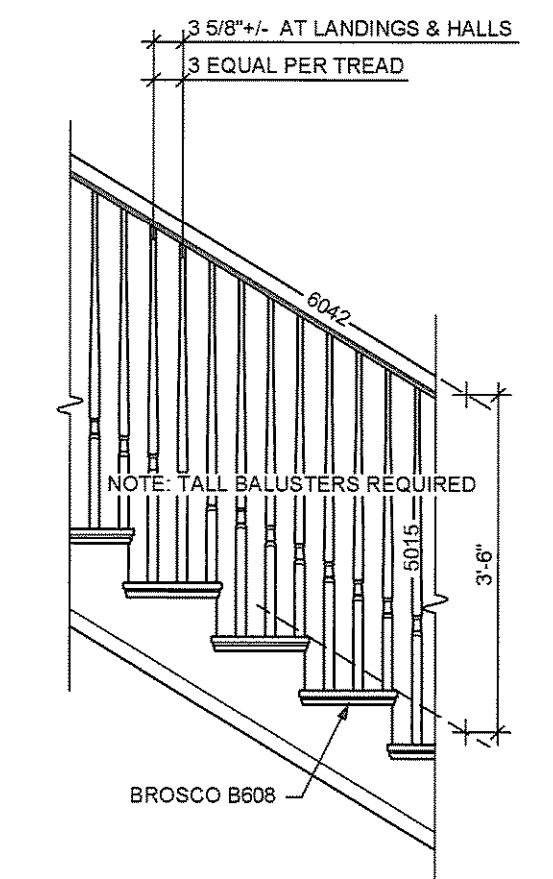
3 SECTION AT UNIT STAIR
 A4.1 1/4" = 1'-0"



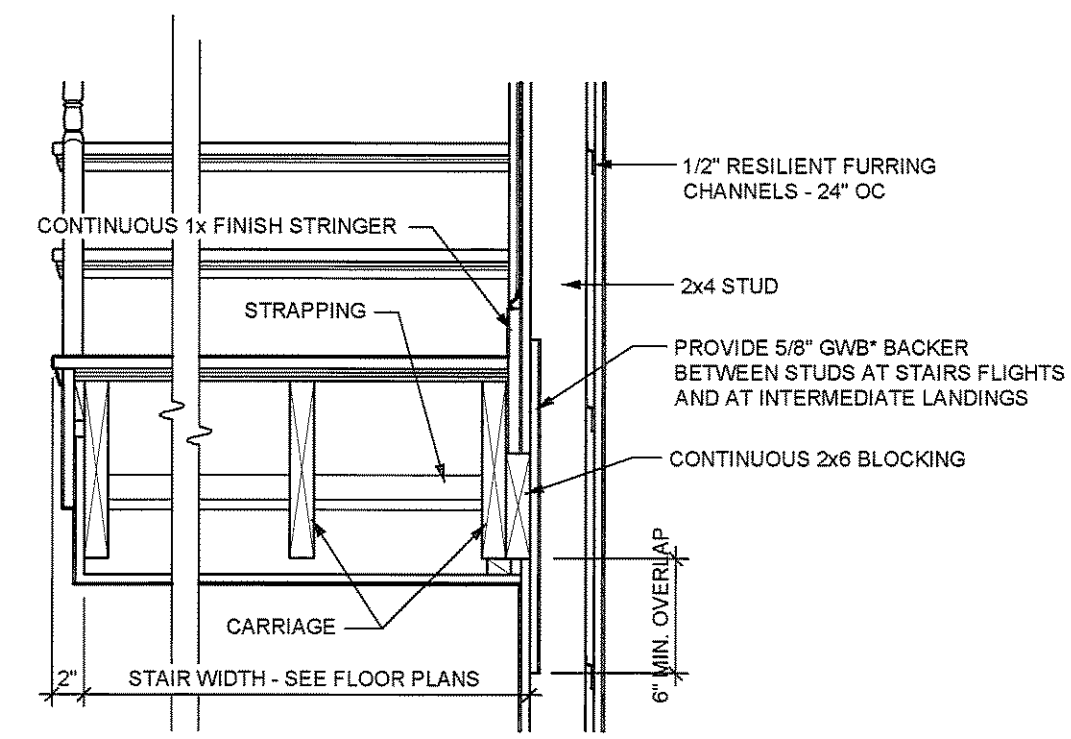
4 HANDRAIL ELEVATION
 A4.1 1/2" = 1'-0"



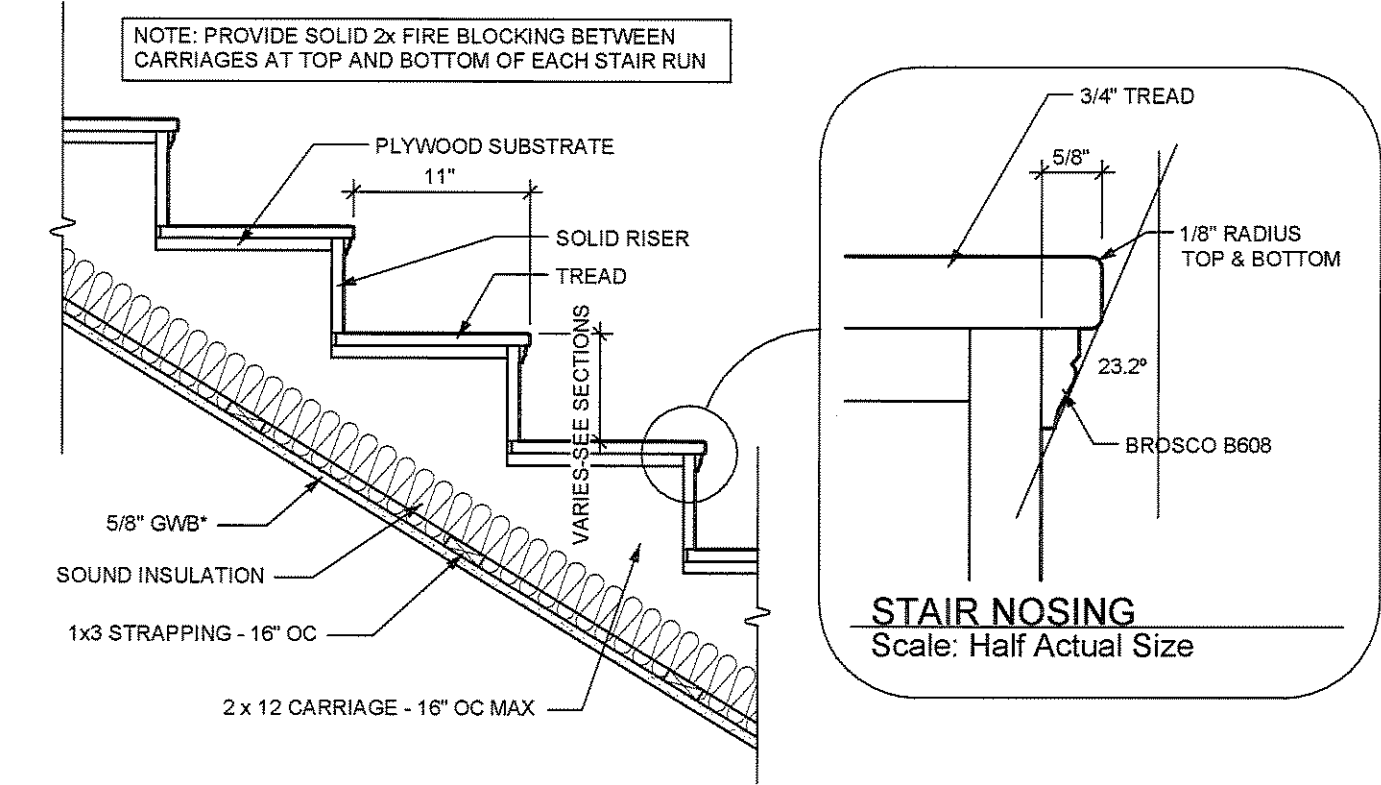
5 HANDRAIL DETAIL
 A4.1 3" = 1'-0"



6 GUARD DETAIL
 A4.1 1/2" = 1'-0"



7 STAIR CROSS SECTION
 A4.1 1" = 1'-0"



8 STAIR LONGITUDINAL SECTION
 A4.1 1" = 1'-0"