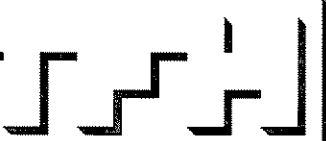


© 2007 TFH ARCHITECTS

THE ESTATES OF LONGFELLOW INN
 130 EASTERN PROMENADE, PORTLAND, ME
 CASCO BAY VENTURES



TFH ARCHITECTS
 100 COMMERCIAL STREET
 PORTLAND MAINE 04101
 TELEPHONE 207 775 6141
 ARCHITECTURE PLANNING

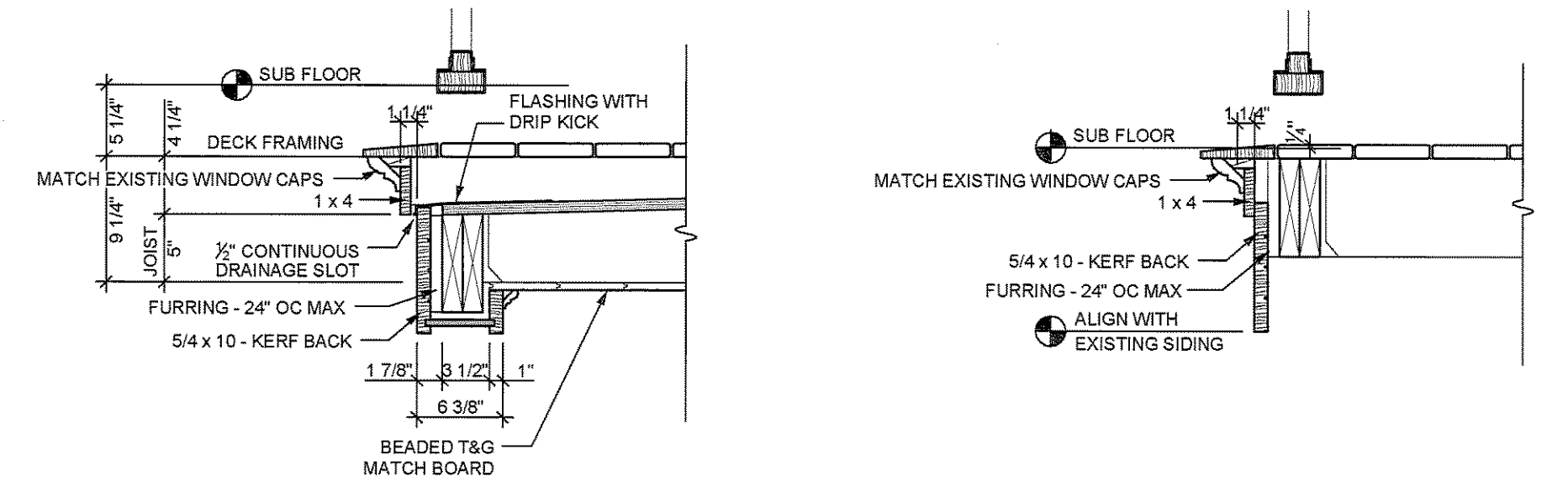
CONSULTANTS:
CIVIL
 Long Consulting Engineers, PA
 907 Broadway
 South Portland, ME 04106
 Tel: 207-767-7300
 Fax: 1-866-207-2033
STRUCTURAL
 Stanley Engineering, Inc.
 90 Bridge St., Suite 200
 Westbrook, ME 04092
 Ph: 207-854-5465 ext. 19
 Fax: 207-854-8706

REVISIONS:

DATE: 02.14.2008
 PROJECT No. 0610
 DRAWN BY: SA
 CHECKED BY: TST
 SCALE: AS NOTED

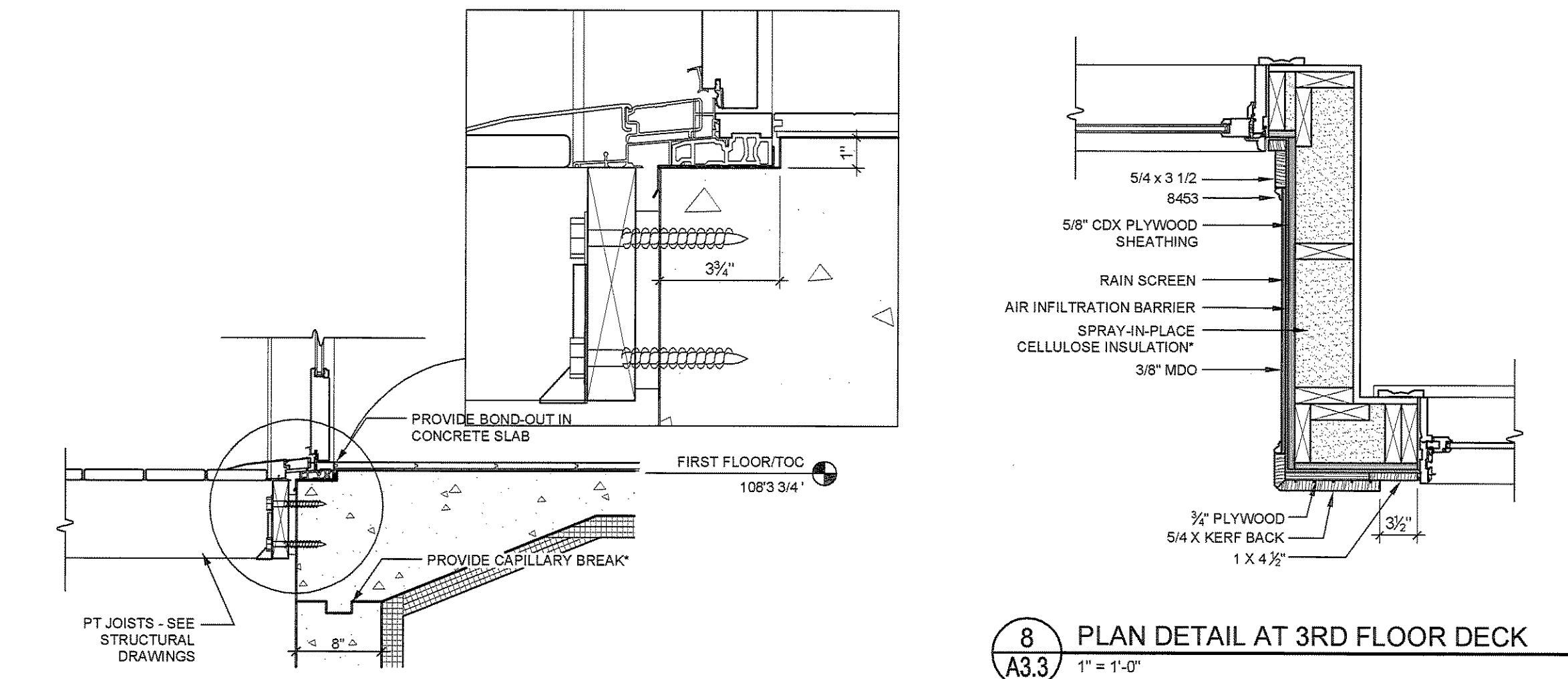
SHEET TITLE:
DETAILS

A3.3



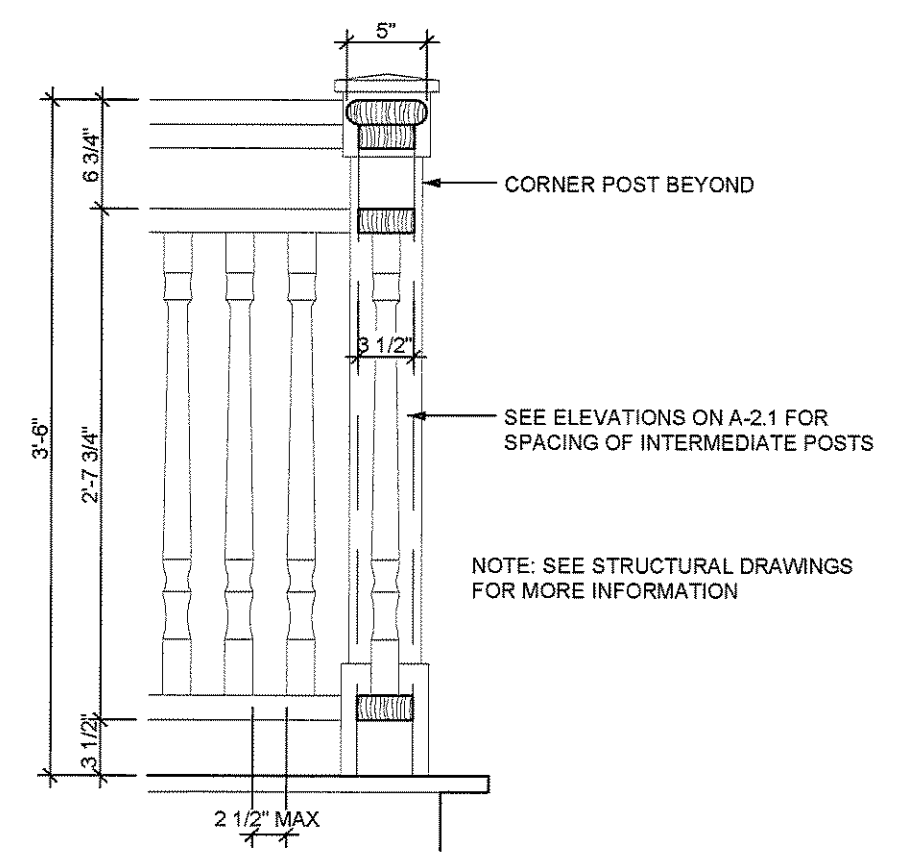
1 2ND FLOOR FRONT PORCH DECK EDGE
A3.3 1" = 1'-0"

5 1ST FLOOR FRONT PORCH DECK EDGE
A3.3 1" = 1'-0"

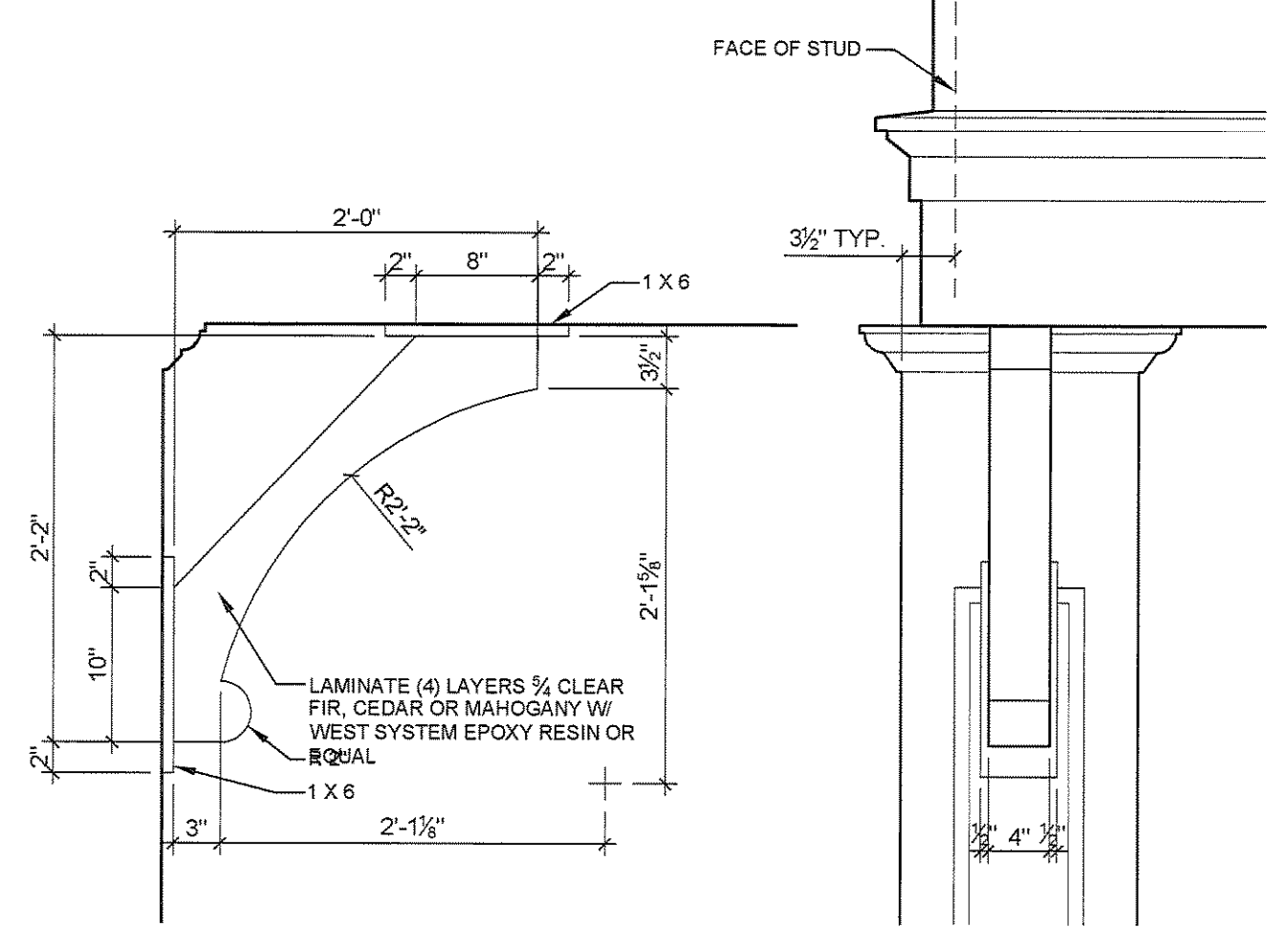


8 PLAN DETAIL AT 3RD FLOOR DECK
A3.3 1" = 1'-0"

2 1ST FLOOR ACCESSIBLE PORCH DECK
A3.3 1" = 1'-0"

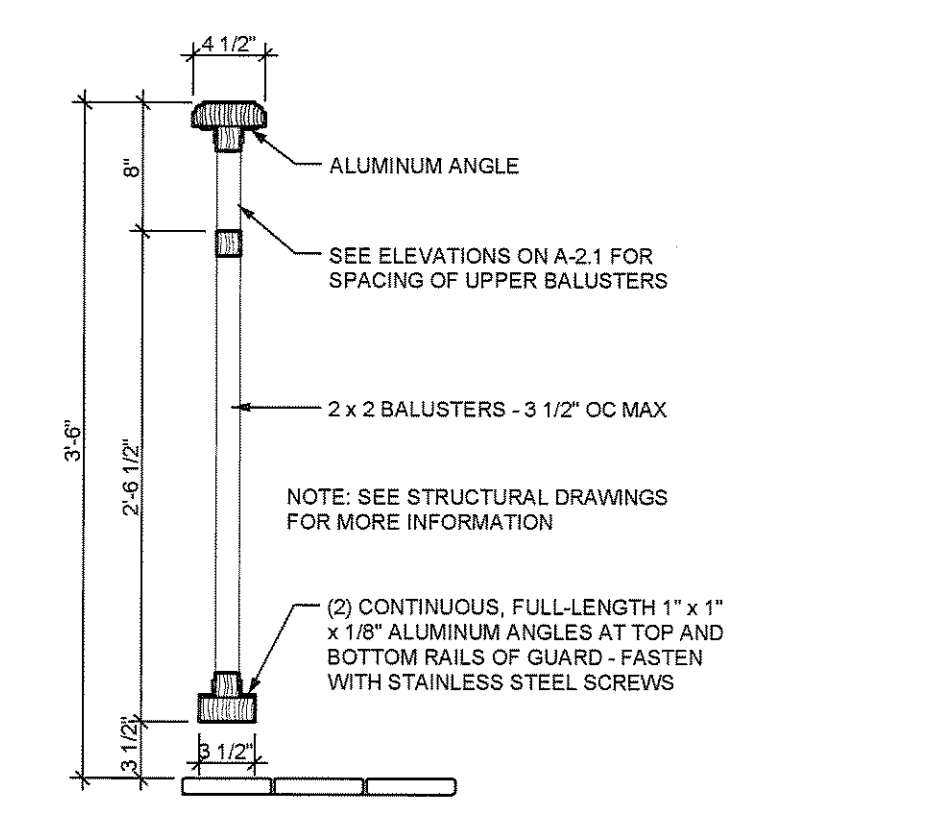
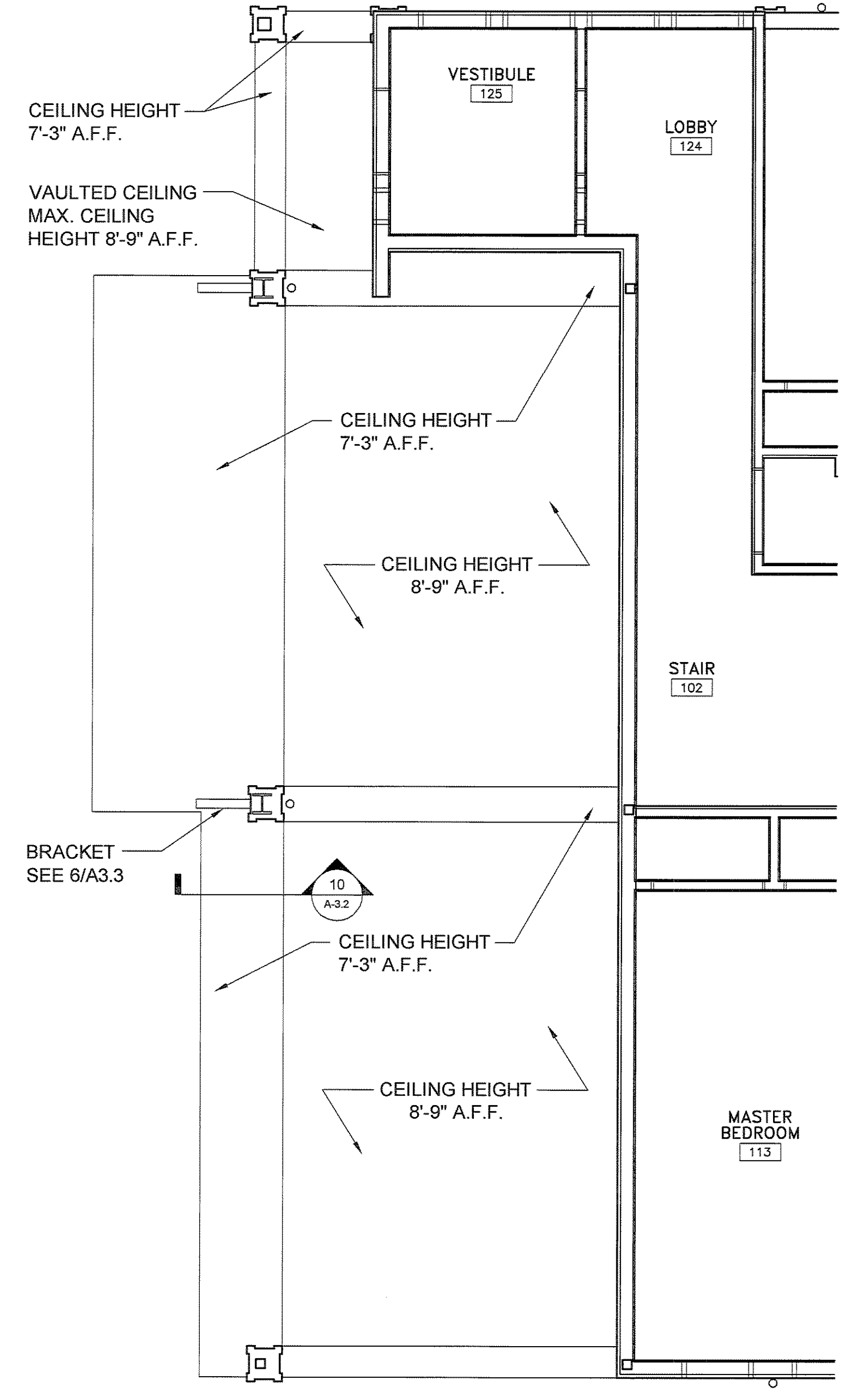


3 REPLACEMENT PORCH GUARD
A3.3 1" = 1'-0"



6 DECORATIVE BRACKET
A3.3 1" = 1'-0"

7 REFLECTED CEILING PLAN AT PARKING
A3.3 1/4" = 1'-0"



4 PORCH GUARD
A3.3 1" = 1'-0"

GENERAL NOTES (SEE G-1.1 FOR MORE GENERAL NOTES)
 1. DRAWING NOTES: DRAWING NOTES, UNLESS THEY INDICATE OR ARE OBVIOUS, REFER TO NEW CONSTRUCTION.
 2. LAYOUT: UNLESS INDICATED OTHERWISE, FLOOR PLAN DIMENSIONS ARE TO FINISH FACE OF EXISTING CONSTRUCTION AND ARE TO FACE OF FRAMING OF NEW CONSTRUCTION. DOORS AND WINDOWS ARE DIMENSIONED TO CENTERLINES OR ROUGH OPENINGS. STAIR TREAD AND RISER LAYOUT DIMENSIONS ARE TO TREAD NOSINGS.
 * SEE G1.1 FOR SELECT SPECIFICATIONS