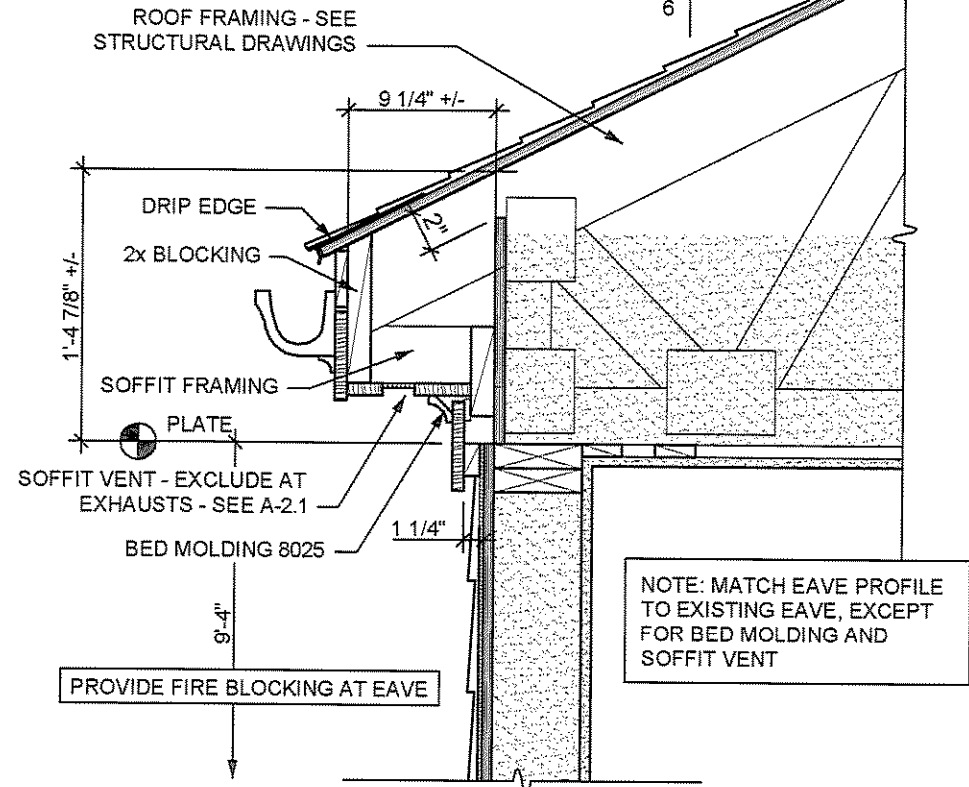
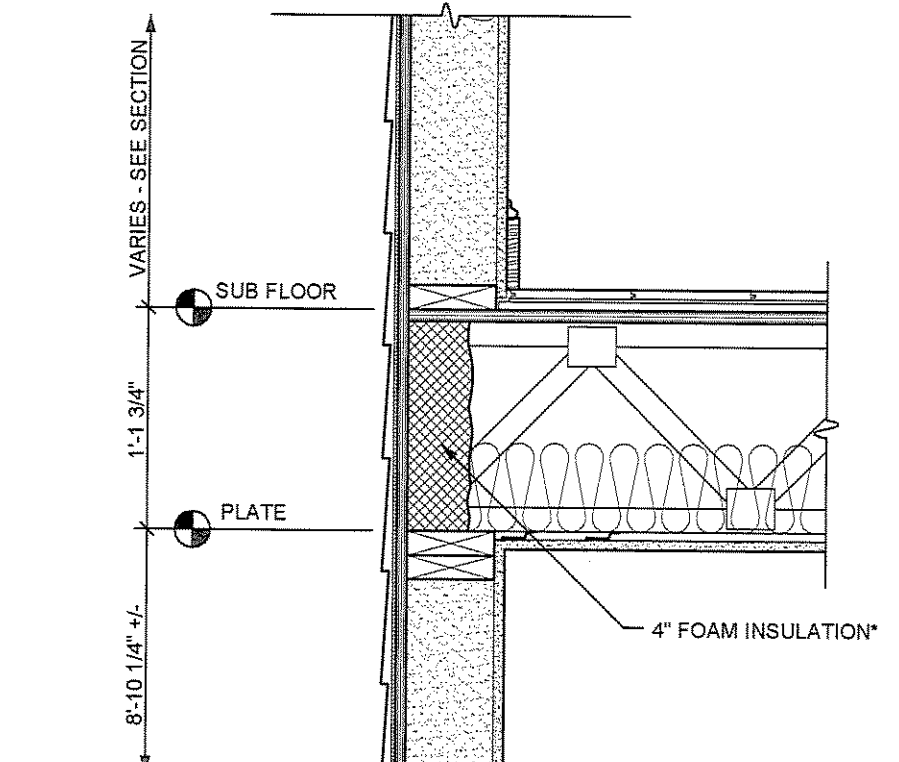


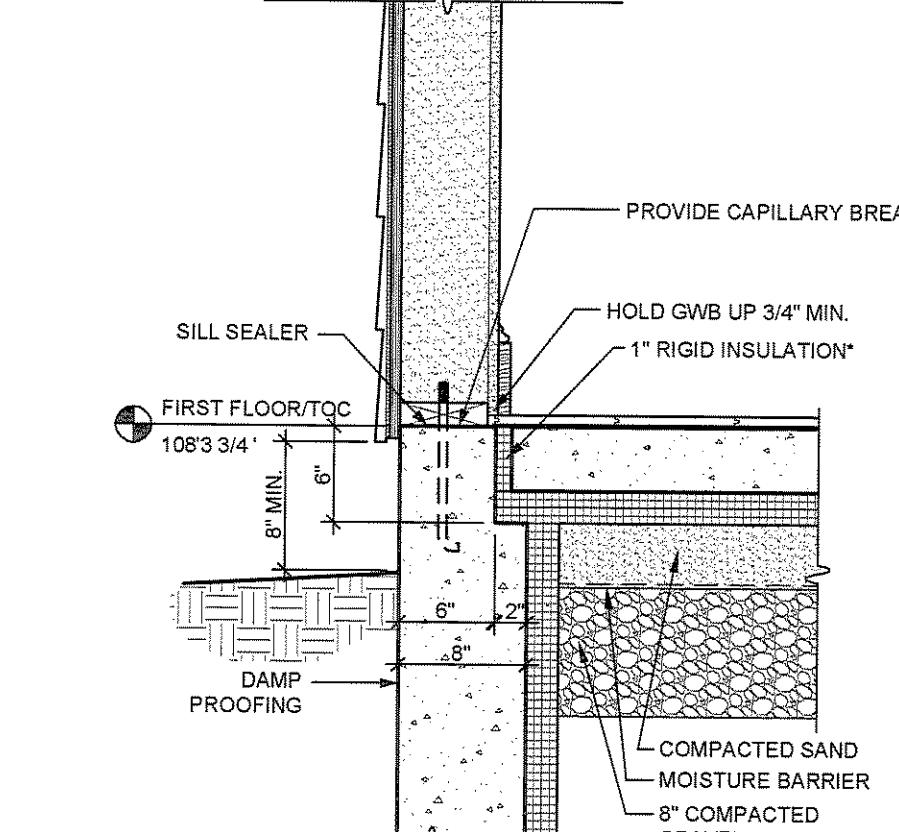
NOTE: FIELD-VERIFY TRUSS DIMENSIONS, BASED ON MATCHING NEW EAVE TO EXISTING EAVE AND ON ALIGNING FLAT ROOF WITH EXISTING RIDGE, PRIOR TO FABRICATION



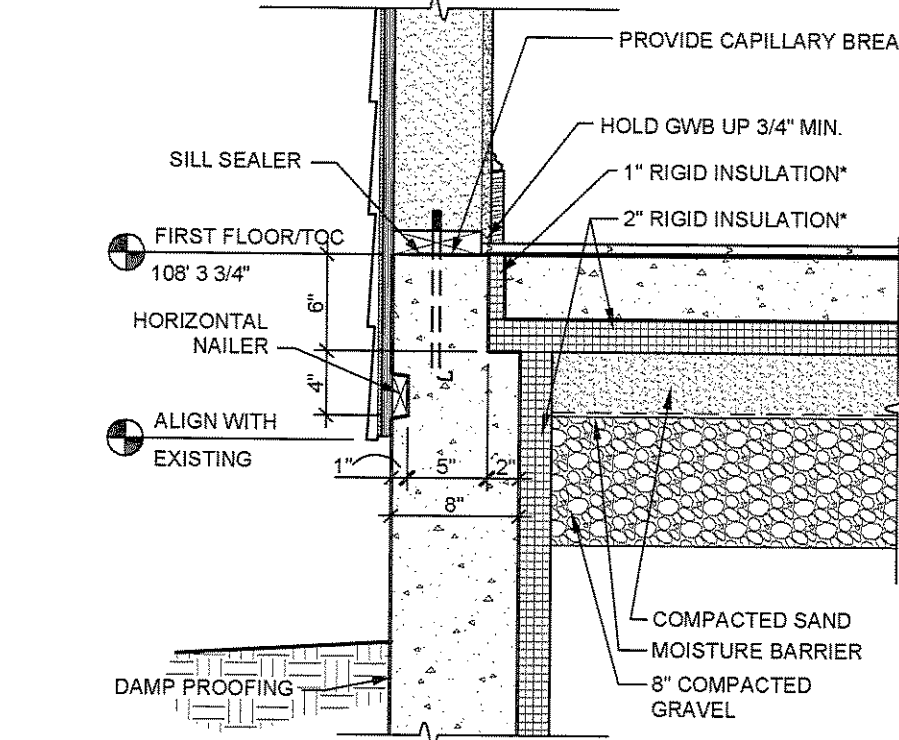
2 TYPICAL EAVE  
A3.2  
1" = 1'-0"



3 FLOOR AT EXTERIOR WALL  
A3.2  
1" = 1'-0"

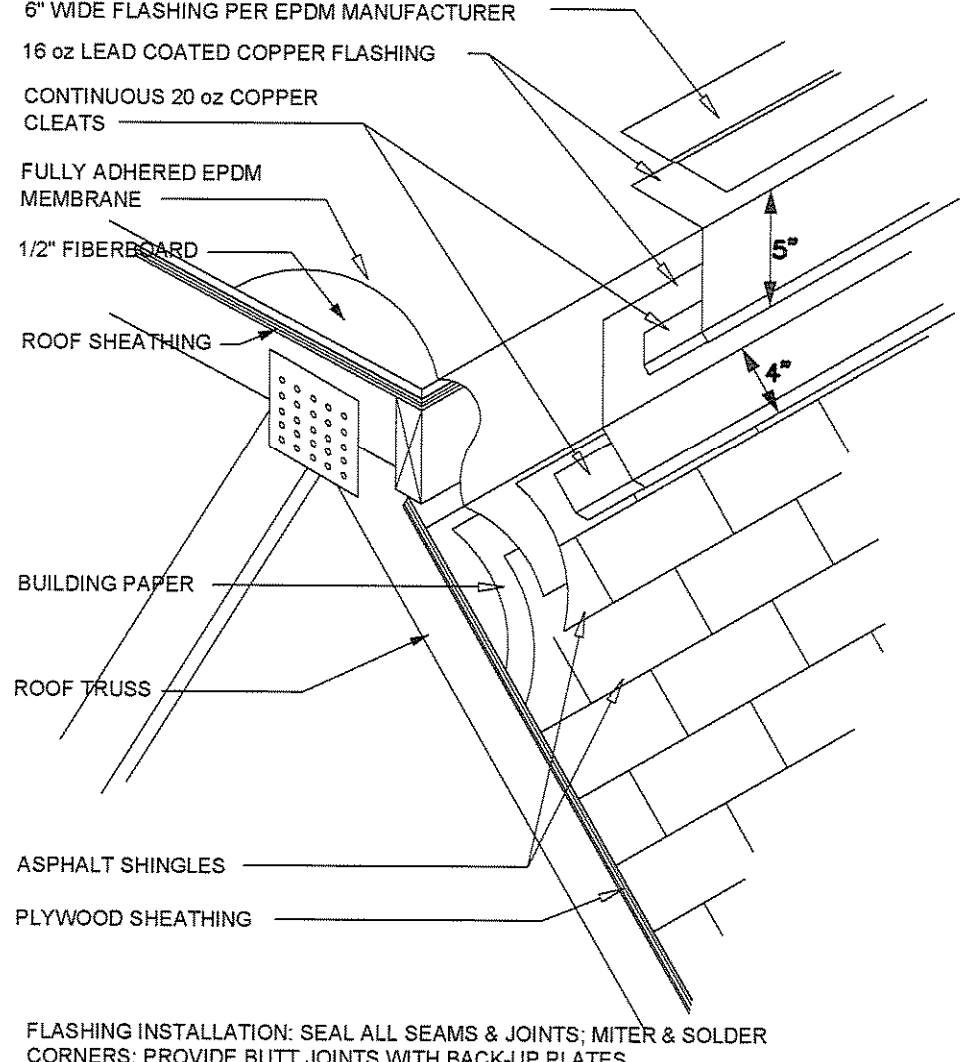


4 SLAB AT EXTERIOR WALL  
A3.2  
1" = 1'-0"

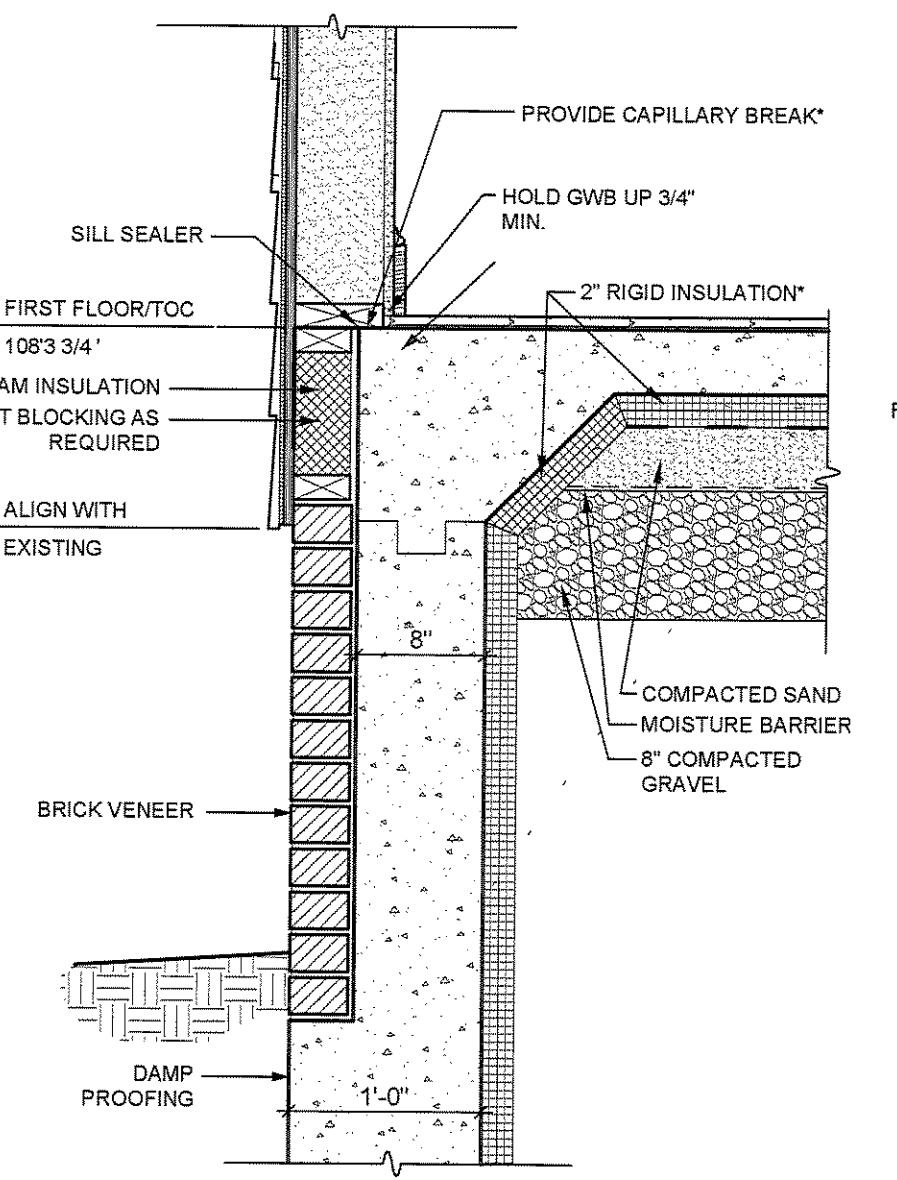


5 SLAB AT WALL - SIMULATED PLATFORM  
A3.2  
1" = 1'-0"

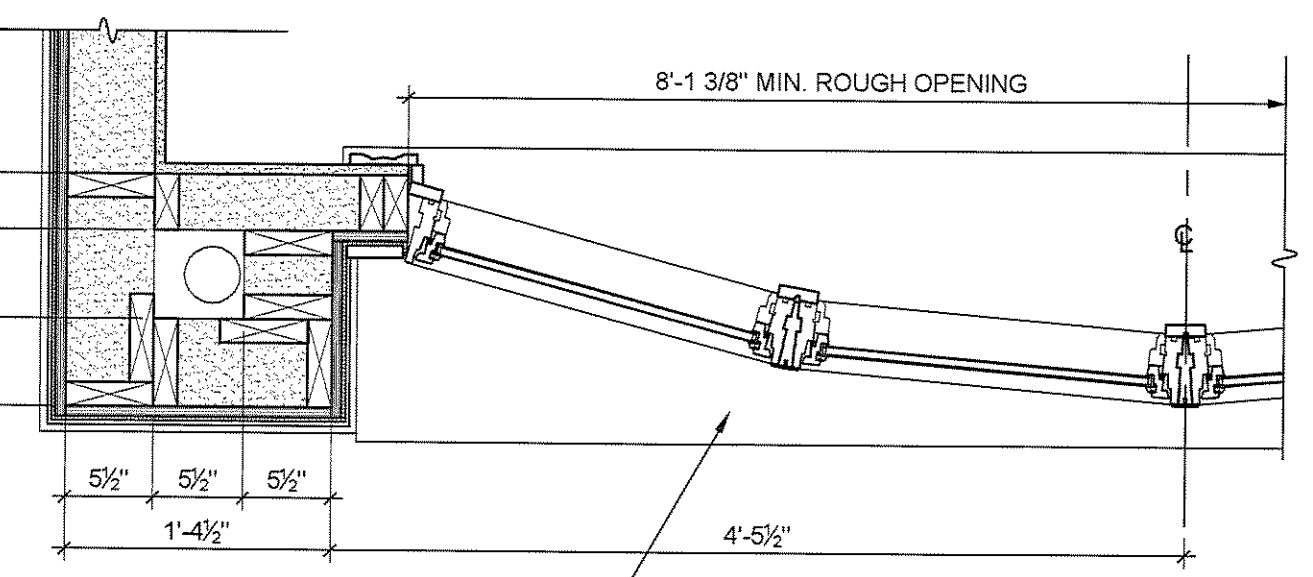
NOTE: PROVIDE IN ACCORDANCE WITH EPDM MANUFACTURER'S STANDARD ROOF EDGE DETAIL



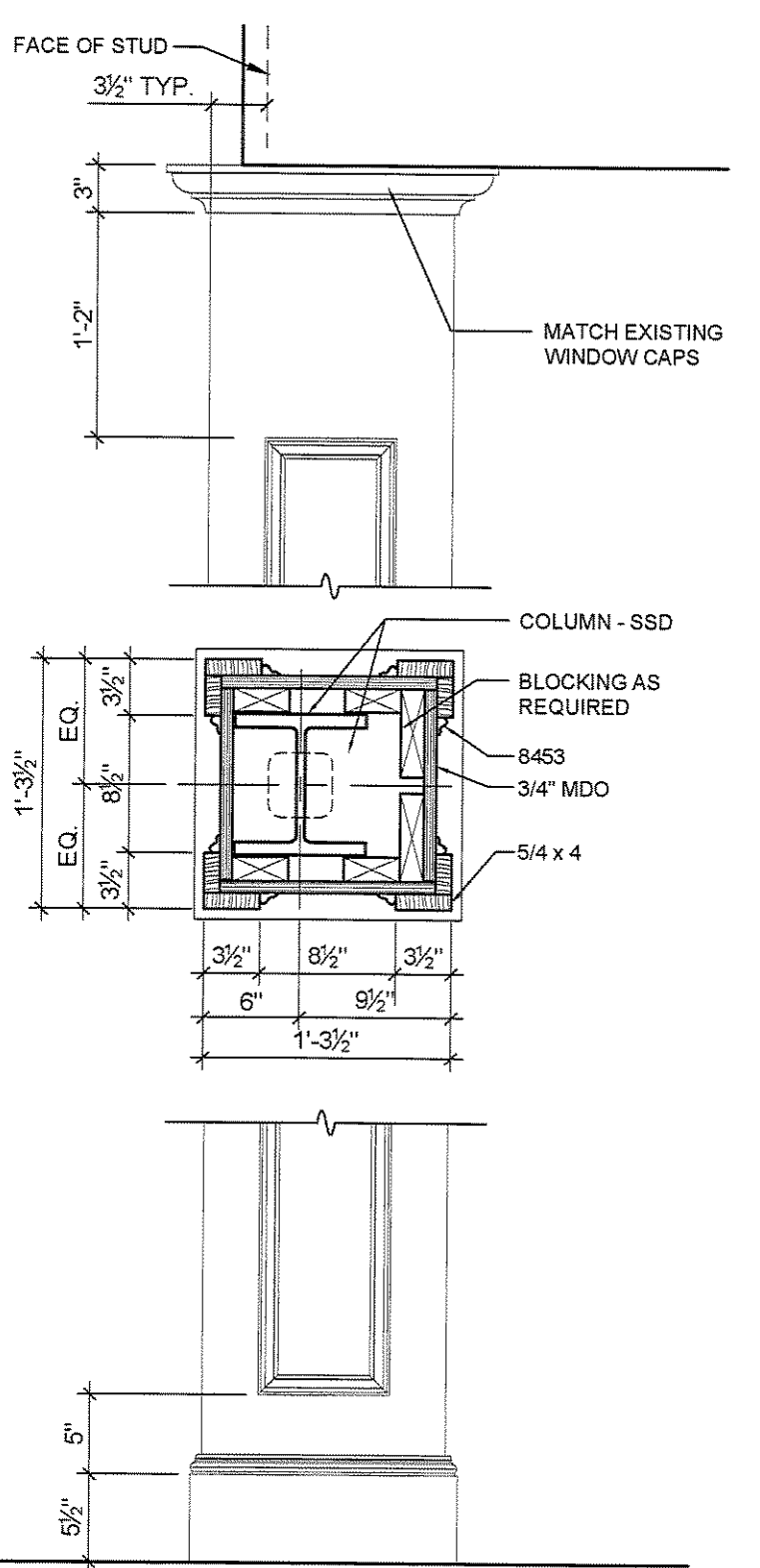
6 FLAT ROOF EDGE  
A3.2  
1" = 1'-0"



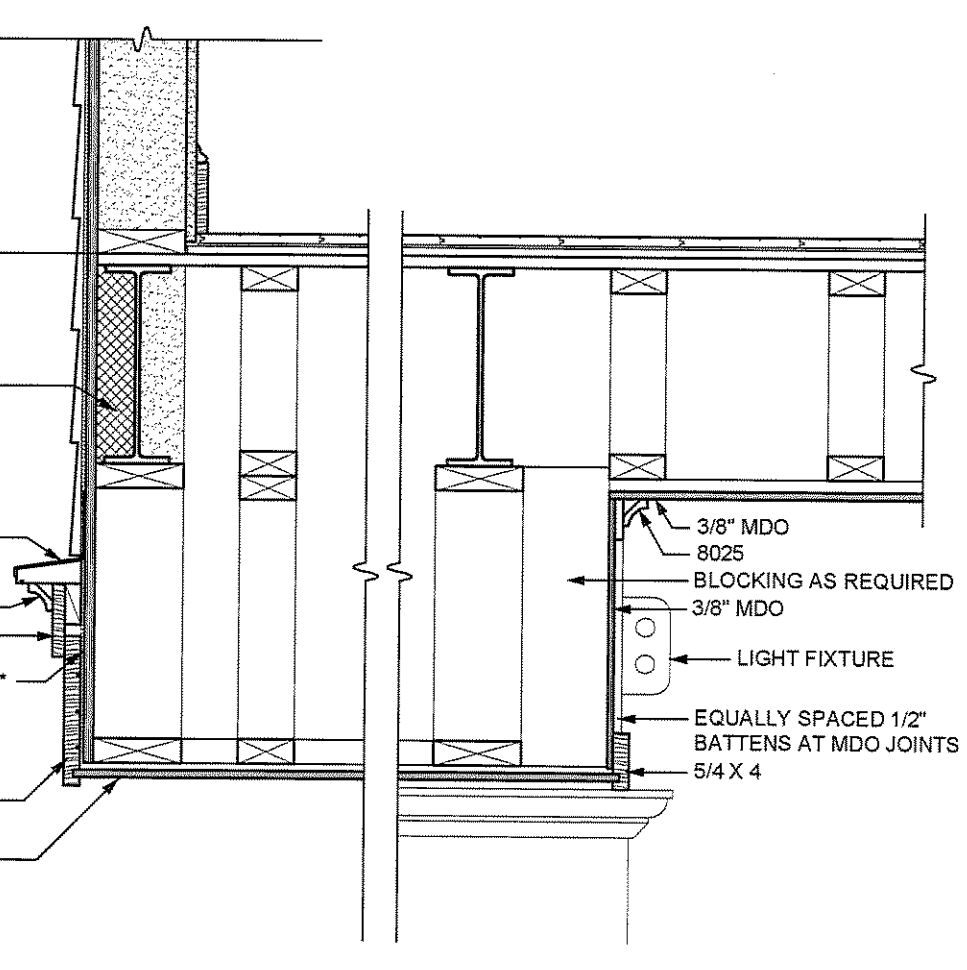
7 SLAB AT WALL - BRICK VENEER  
A3.2  
1" = 1'-0"



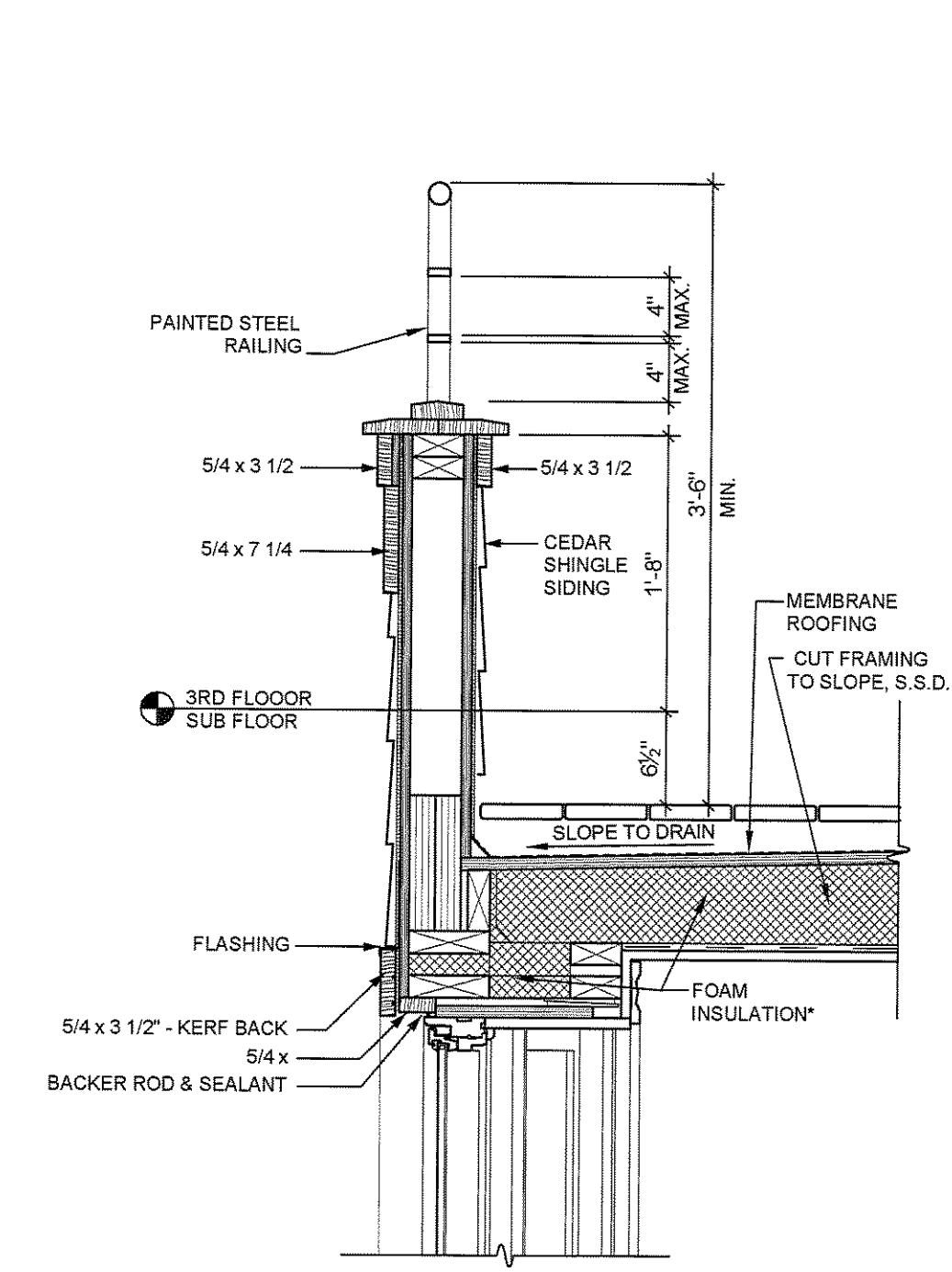
8 BOW WINDOW PLAN LAYOUT  
A3.2  
1" = 1'-0"



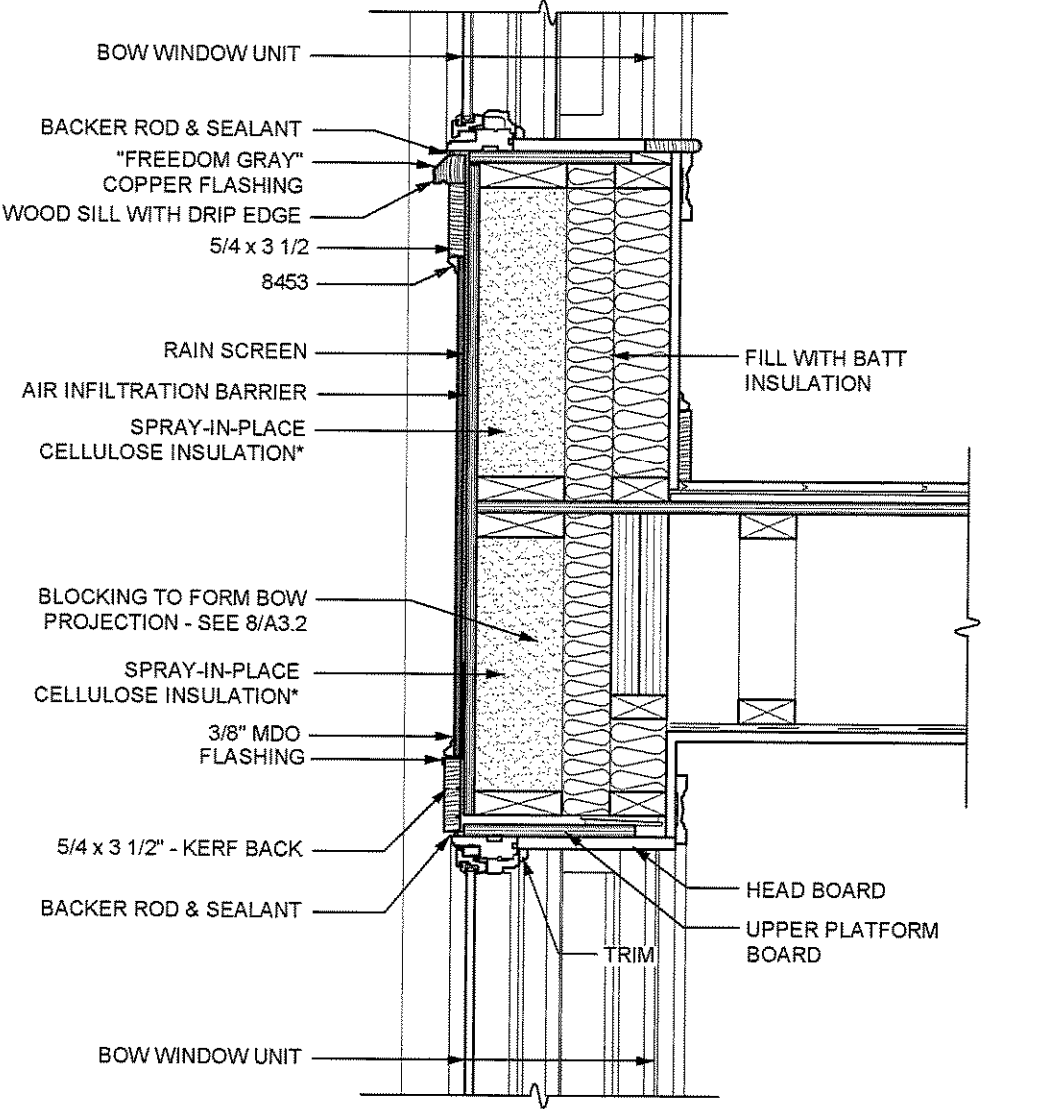
9 TYPICAL COLUMN  
A3.2  
1" = 1'-0"



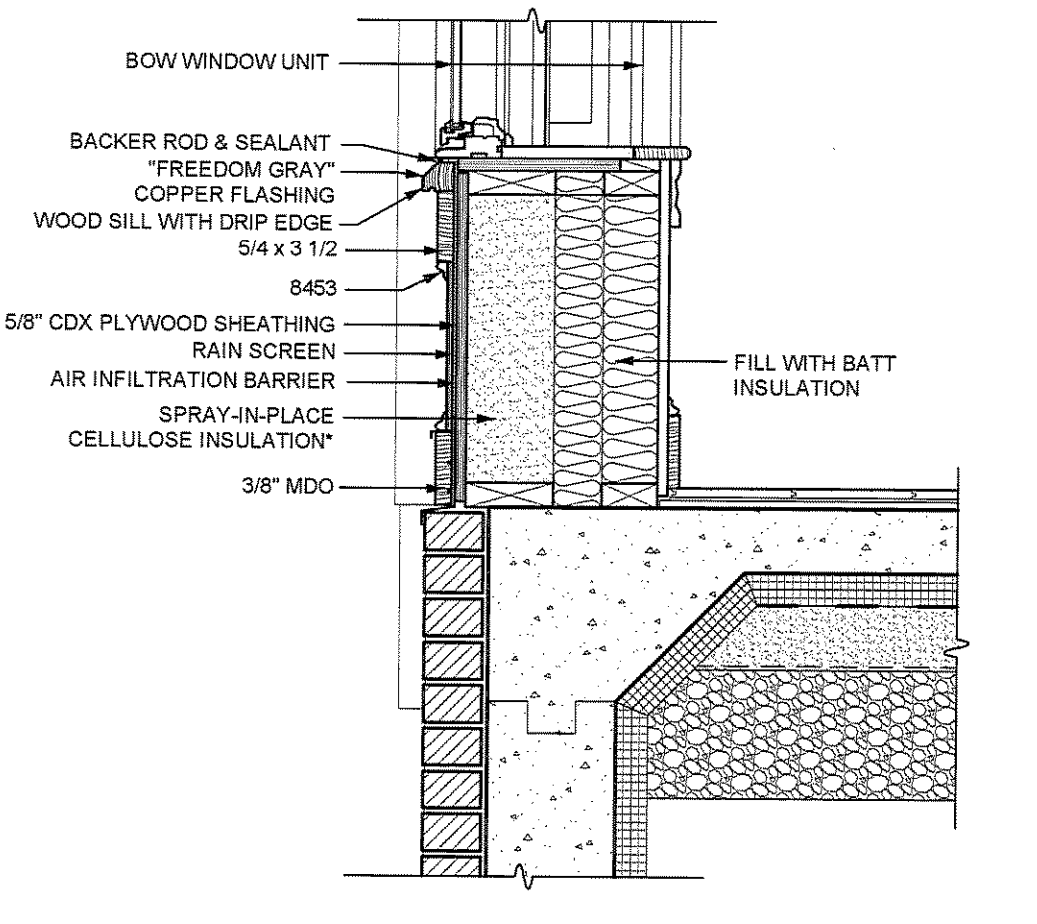
10 HEADER ABOVE CAR PARKING  
A3.2  
1" = 1'-0"



12 BOW WINDOW AT 3RD FLOOR DECK  
A3.2  
1" = 1'-0"



13 TYPICAL PANEL AT BOW WINDOW  
A3.2  
1" = 1'-0"



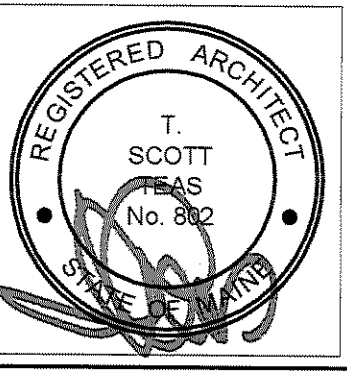
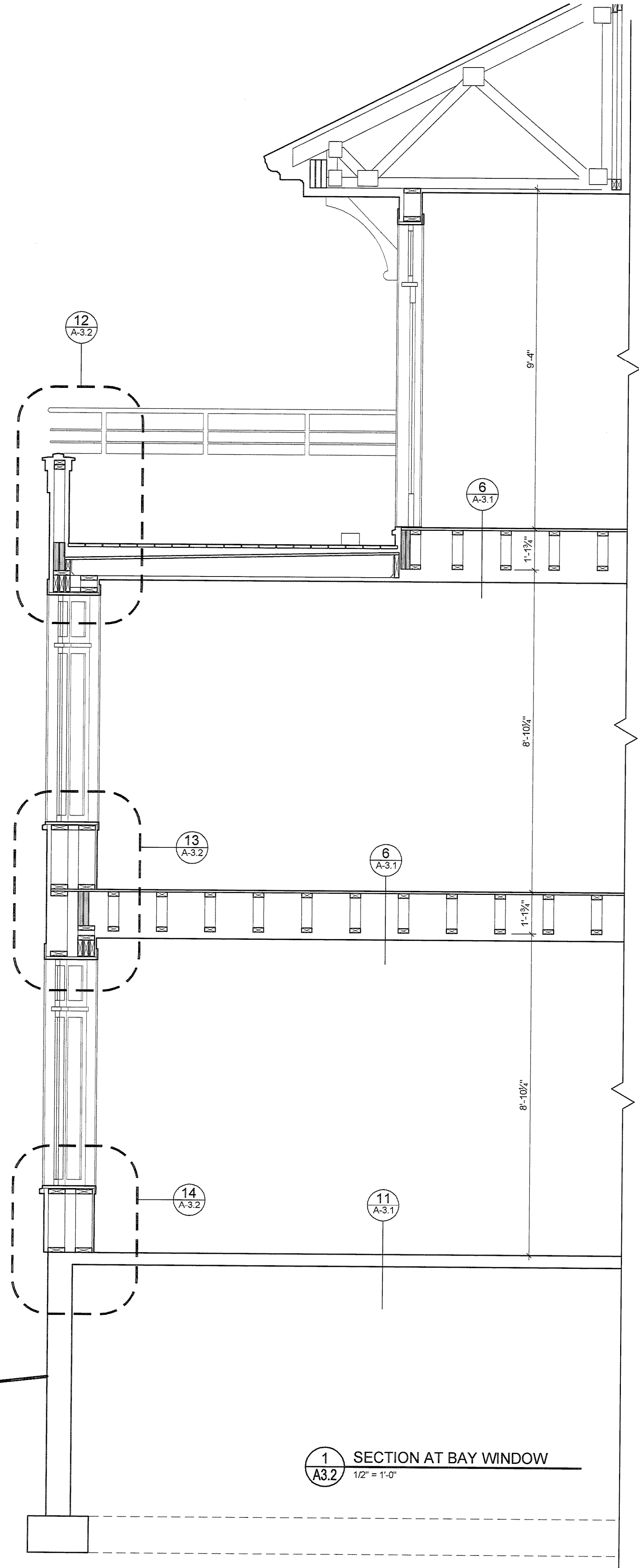
14 BOW WINDOW AT SLAB  
A3.2  
1" = 1'-0"

GENERAL NOTES (SEE G-1.1 FOR MORE GENERAL NOTES)

1. DRAWING NOTES: DRAWING NOTES, UNLESS THEY INDICATE OR ARE OBVIOUS, REFER TO NEW CONSTRUCTION.

2. LAYOUT: UNLESS INDICATED OTHERWISE, FLOOR PLAN DIMENSIONS ARE TO FINISH FACE OF EXISTING CONSTRUCTION AND ARE TO FACE OF FRAMING OF NEW CONSTRUCTION. DOORS AND WINDOWS ARE DIMENSIONED TO CENTERLINES OR ROUGH OPENINGS. STAIR TREAD AND RISER LAYOUT DIMENSIONS ARE TO TREAD NOSINGS.

\* SEE G1.1 FOR SELECT SPECIFICATIONS



© 2007 TFH ARCHITECTS

THE ESTATES OF LONGFELLOW INN  
130 EASTERN PROMENADE, PORTLAND, ME  
CASCO BAY VENTURES

TFH ARCHITECTS  
100 COMMERCIAL STREET  
PORTLAND MAINE 04101  
TELEPHONE 207 775 6141  
ARCHITECTURE PLANNING

CONSULTANTS:  
CIVIL  
Land Consulting Engineers, PA  
967 Broadway  
South Portland, ME 04106  
Tel. 207-767-7300  
Fax. 1-888-227-2223  
STRUCTURAL  
Shelley Engineering, Inc  
60 Bridge St. Suite 302  
Westbrook, ME 04092  
Ph. 207-854-5465 ext. 19  
Fax 207-854-8766

REVISIONS:

DATE: 02.14.2008

PROJECT No. 0610

DRAWN BY: SA

CHECKED BY: TST

SCALE: AS NOTED

SHEET TITLE:  
SECTIONS  
AND DETAILS

A3.2