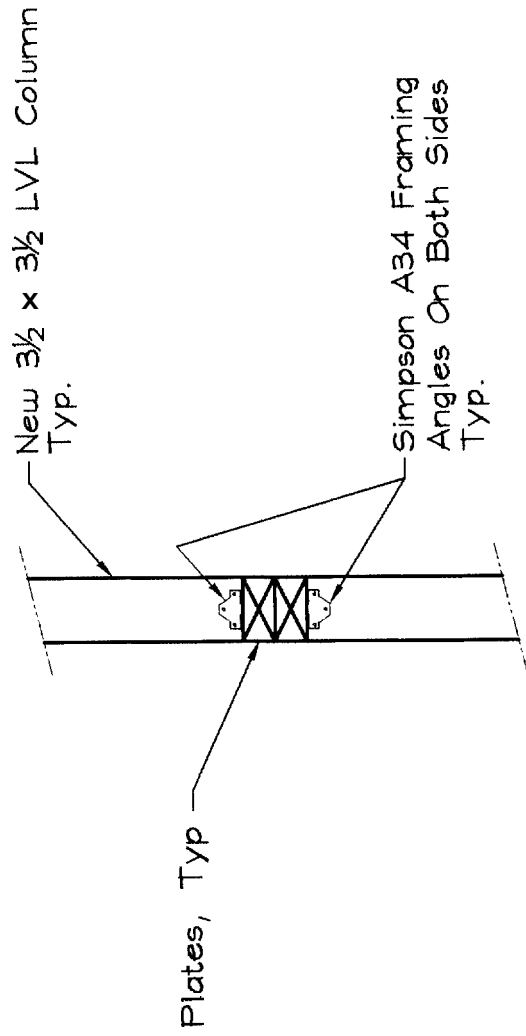


TYP. - EXIST. FLOOR JOIST SUPPORT DETAIL

SCALE: 1" = 1'-0"

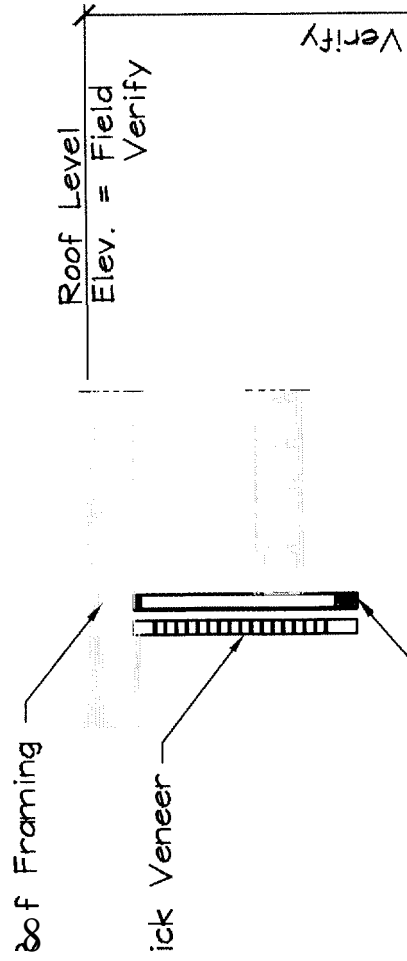
GENERAL NOTES:

1. ALL DIMENSIONS AND CONDITIONS MUST BE VERIFIED IN THE FIELD. ANY DISCREPANCIES SHALL BE BROUGHT TO THE ATTENTION OF THE ENGINEER BEFORE PROCEEDING WITH THE AFFECTED PART OF THE WORK.
2. THE STRUCTURE IS DESIGNED TO BE SELF SUPPORTING AND STABLE AFTER THE BUILDING IS COMPLETE. IT IS THE CONTRACTOR'S SOLE RESPONSIBILITY TO DETERMINE ERECTION PROCEDURES AND SEQUENCE TO ENSURE SAFETY OF THE STRUCTURE AND PERSONNEL DURING ERECTION. THIS INCLUDES



TYP. - WALL SPLICE DETAIL

SCALE: 1" = 1'-0"



THIS DRAWING IS ISSUED

NOT FOR CONSTRUCTION FOR CONSTRUCTION

CURRENT REVISION

#	DATE	DESCRIPTION
1	6-16-04	ISSUED FOR CONSTRUCTION
2	6-21-04	REVISED FRAMING ISSUED FOR CONST.
3	6-24-04	REVISED FRAMING ISSUED FOR CONST.

DRN BY: GSM / TRB
CHKD BY: TGS
DATE: 6-16-04
SCALE: AS NOTED
JOB NO.: 2004-

MAINE

EMENT