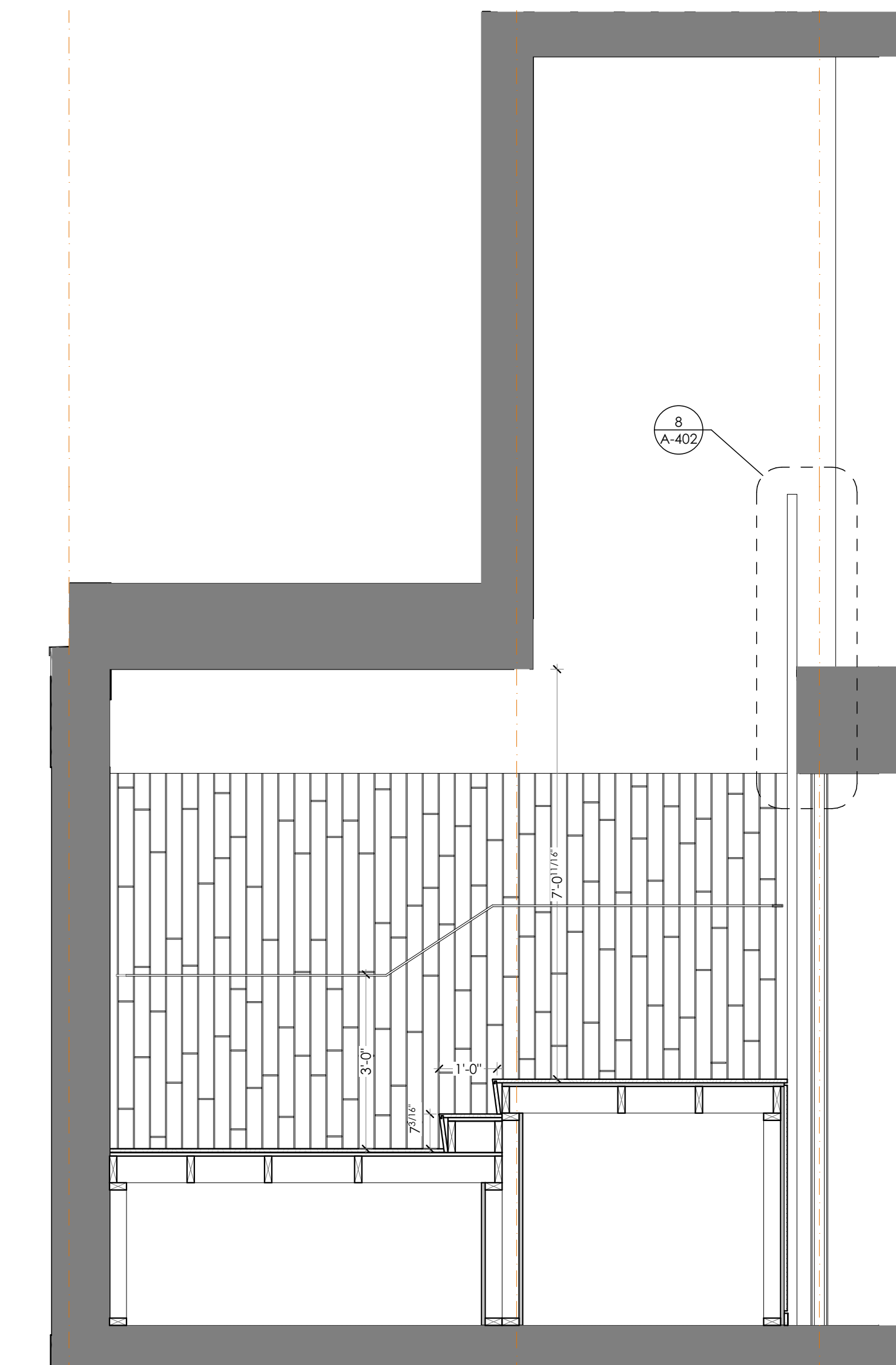
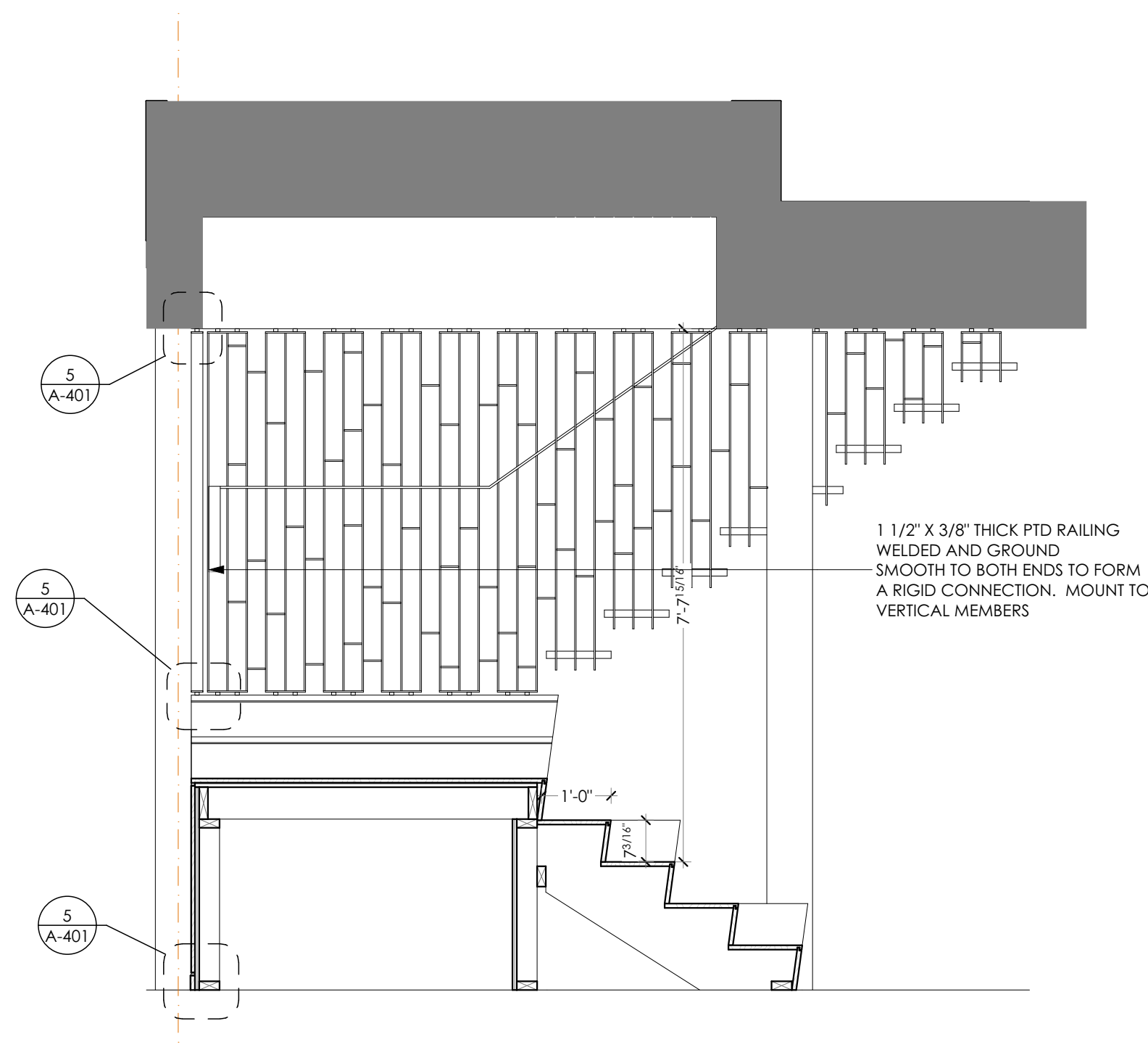


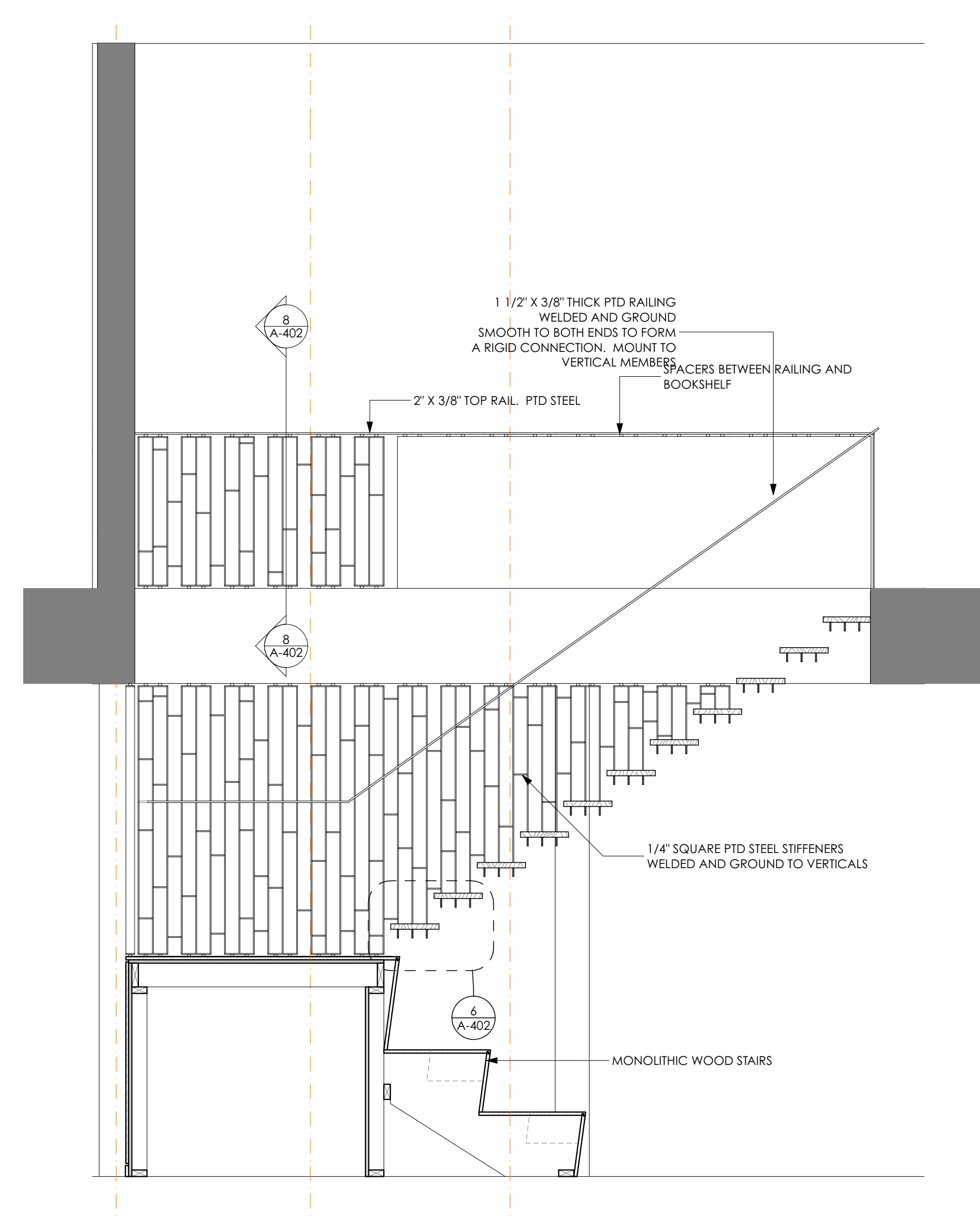
8 WOOD CLADDING CORNER DETAIL - TYP.
SCALE: 1 1/2" = 1'-0"



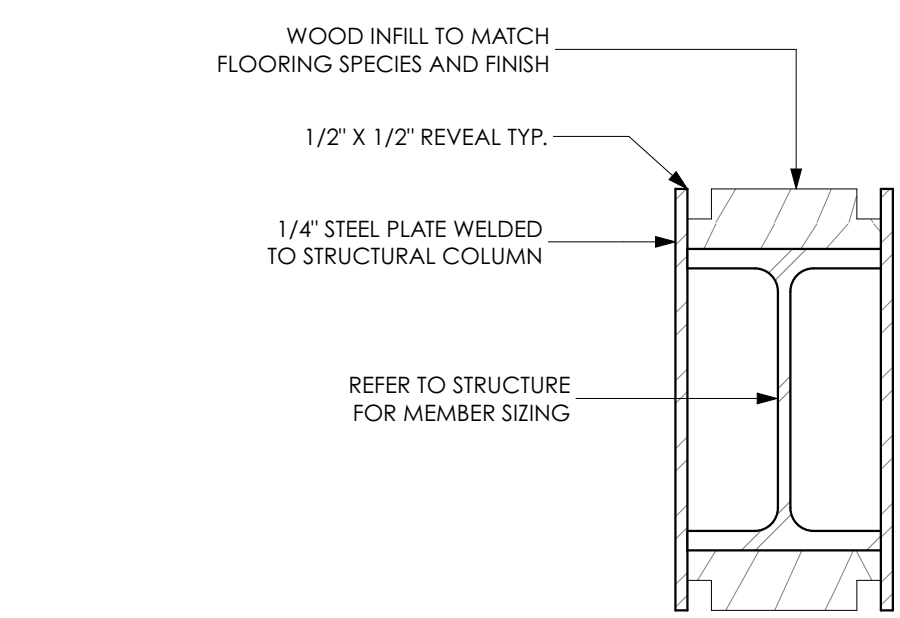
5 ORNAMENTAL STAIR SECTION
SCALE: 1/2" = 1'-0"



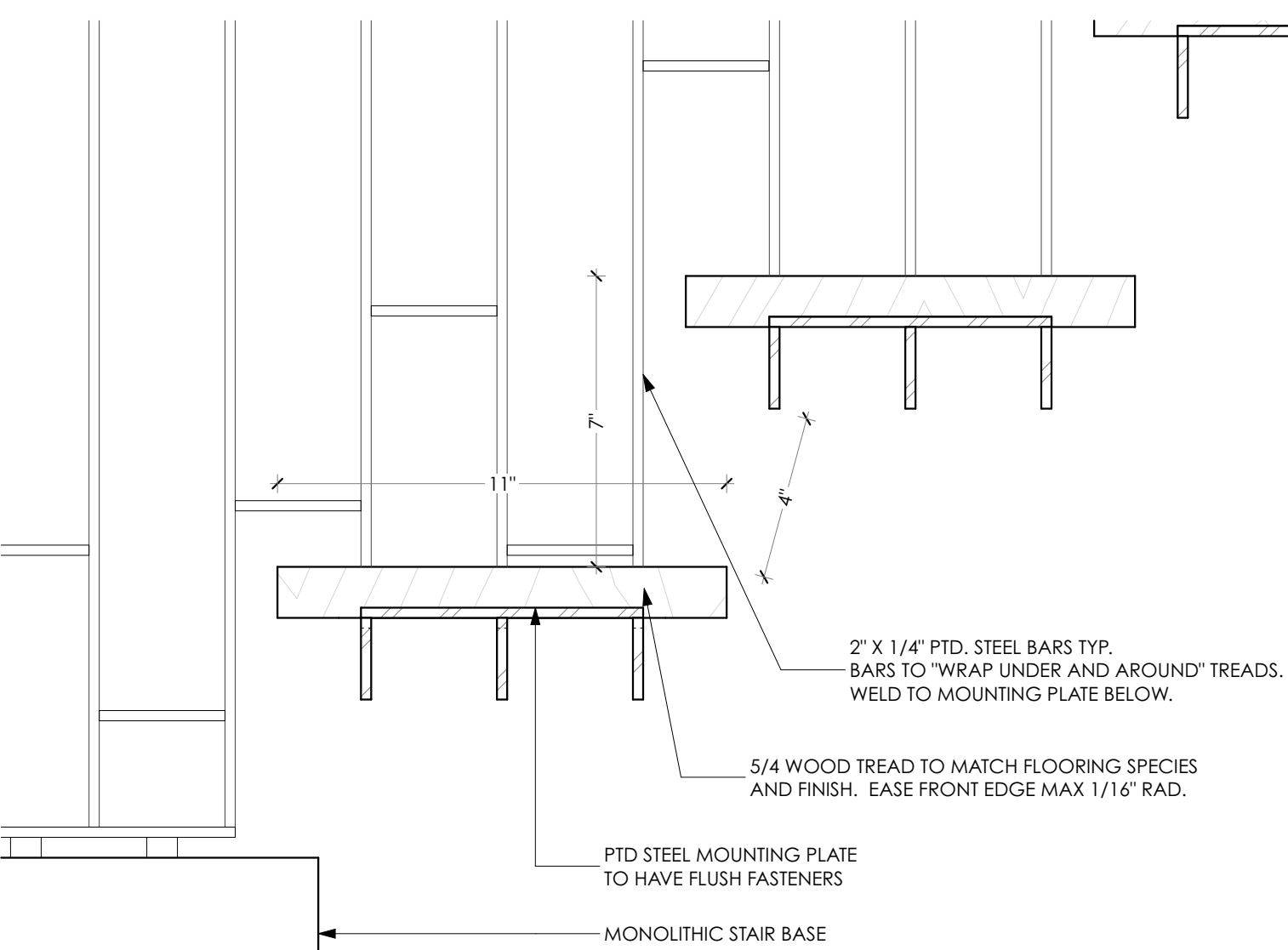
4 ORNAMENTAL STAIR SECTION
SCALE: 1/2" = 1'-0"



3 ORNAMENTAL STAIR SECTION
SCALE: 1/2" = 1'-0"



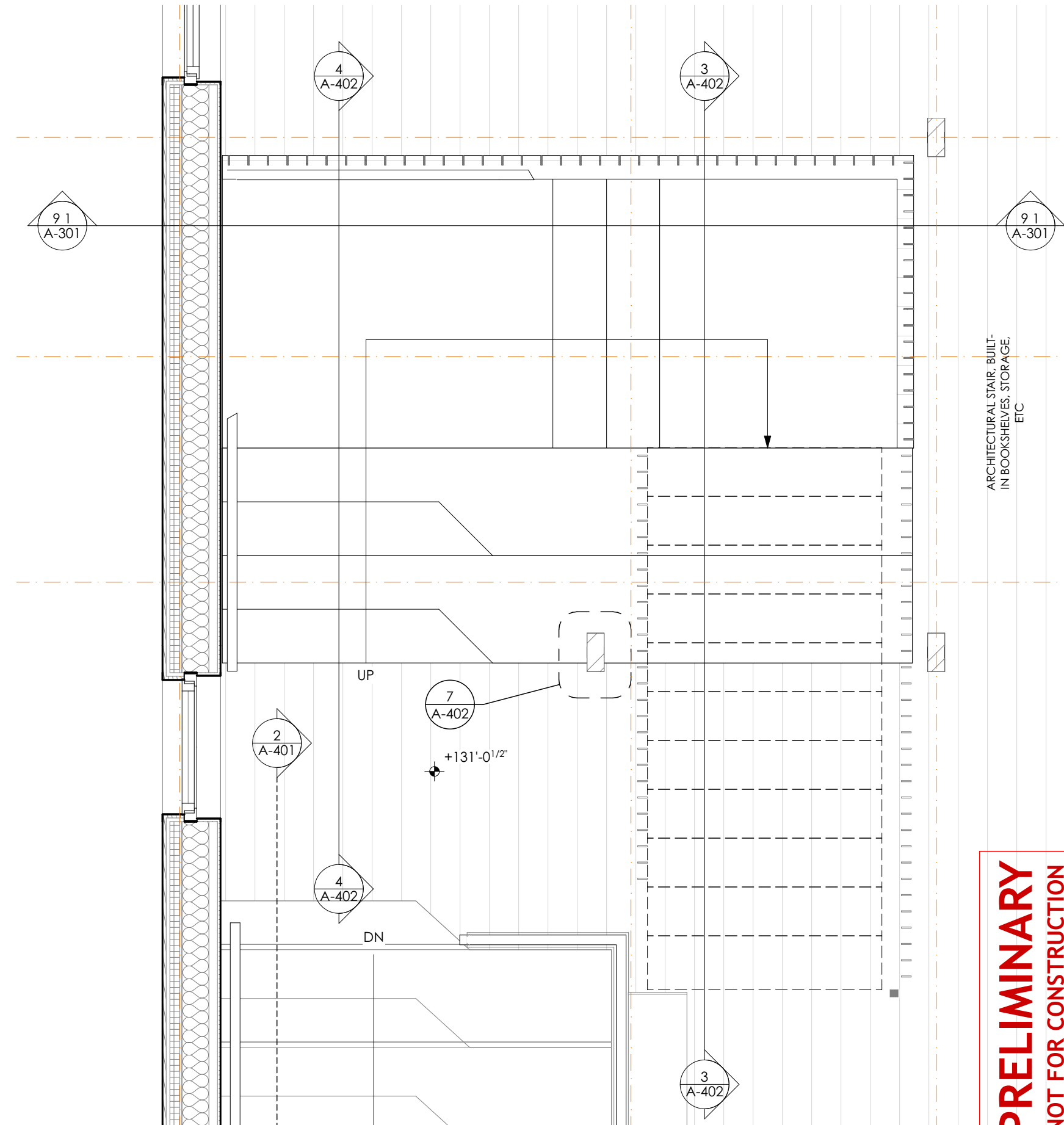
7 3RD FLOOR COLUMN PLAN DETAIL
SCALE: 3" = 1'-0"



6 STAIR SECTION DETAIL
SCALE: 3" = 1'-0"



2 ORNAMENTAL STAIR PERSPECTIVE



1 3RD FLOOR ORNAMENTAL STAIR PLAN
SCALE: 1/2" = 1'-0"

ISSUE NUMBER	DATE	DESCRIPTION
001	12.02.2017	CITY REVIEW
002	03.07.2018	REVISOR PER CITY REVIEW COMMENTS

CONSULTANT:
ARCHITECT: DRAFTER: PROJECT STATUS: 90% CD'S

Brady Residence
Jim and Julia Brady
9 Moody Street Portland ME 04101

PRELIMINARY
NOT FOR CONSTRUCTION