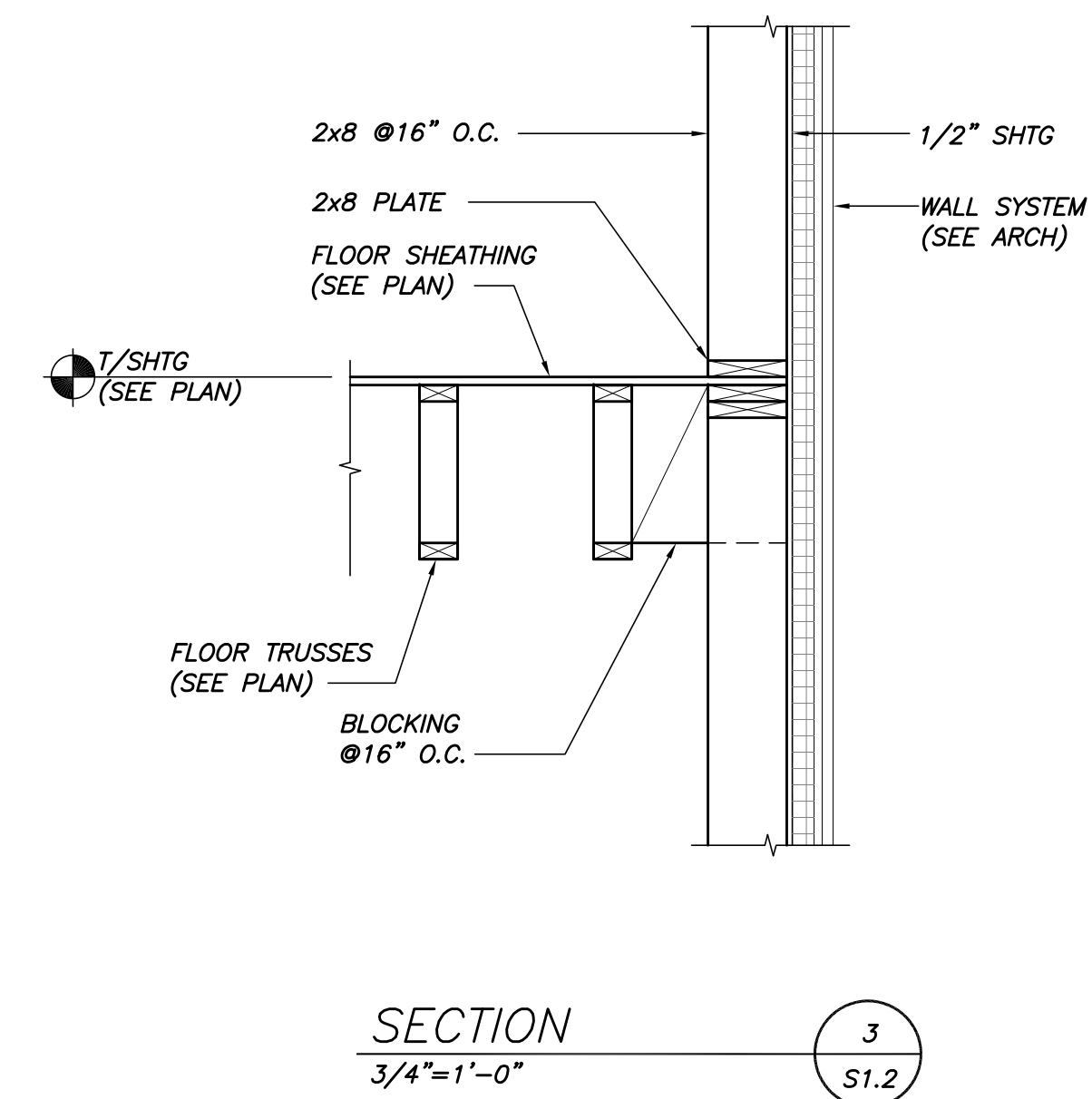
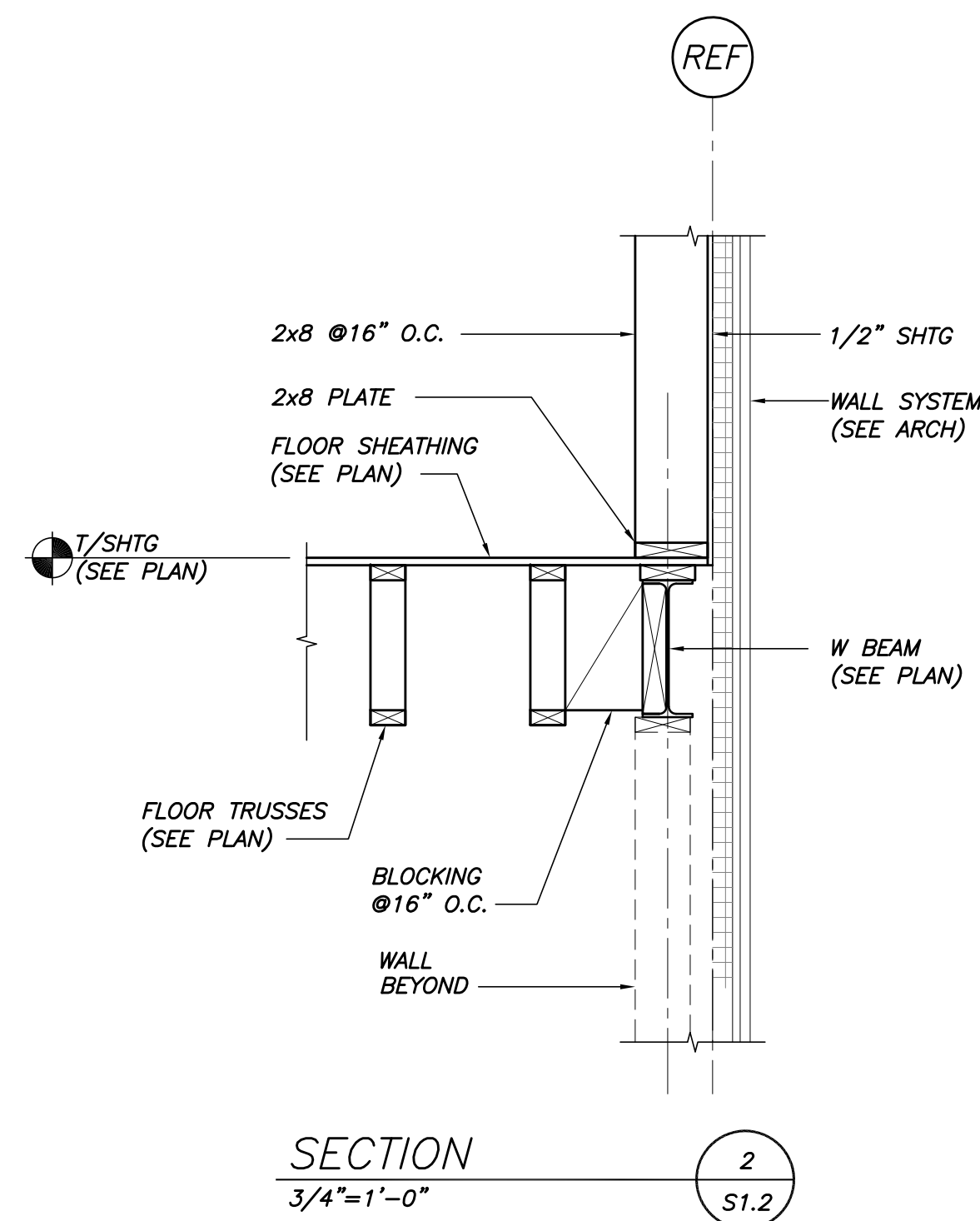
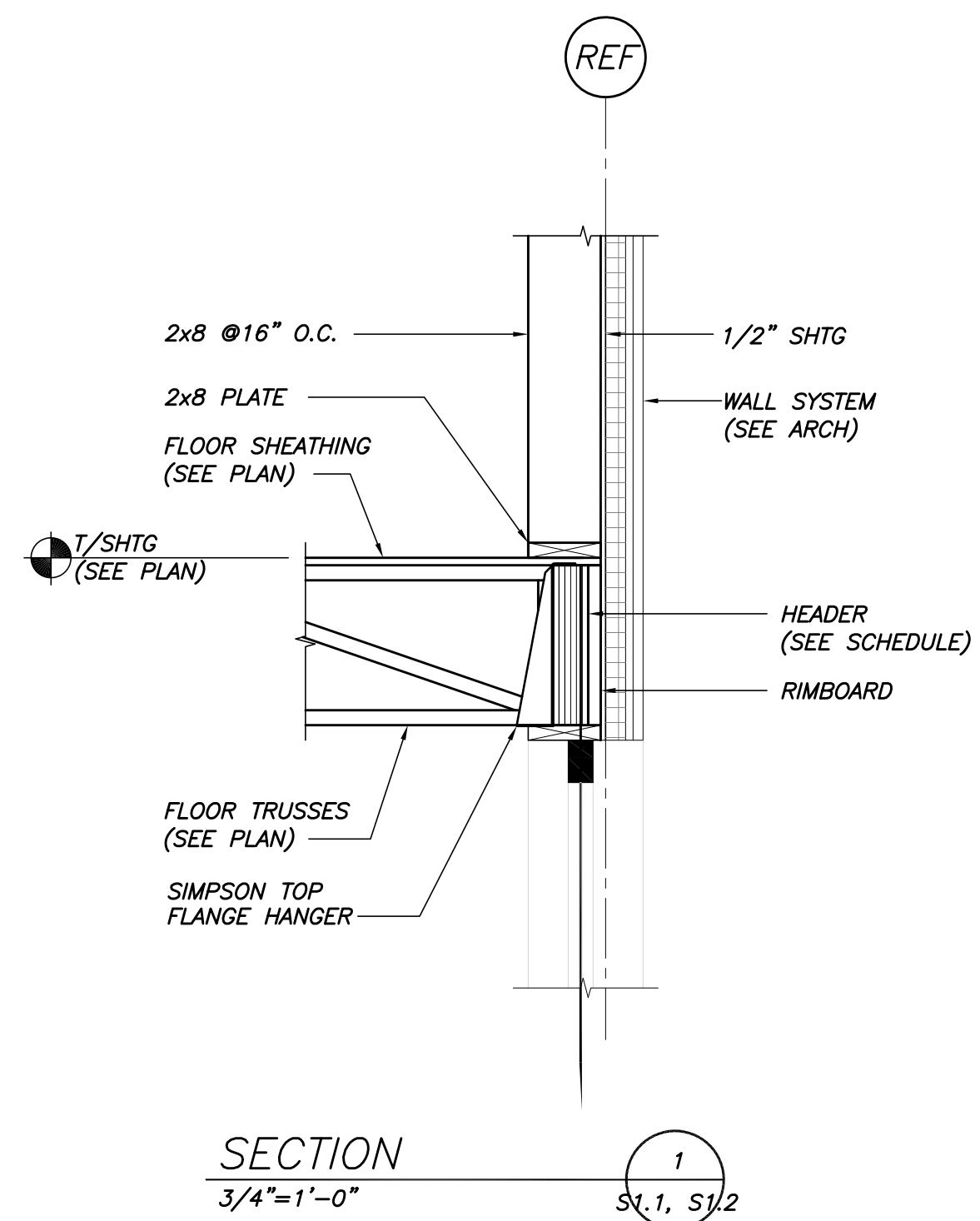


TYP ATTACHMENT OF NON-LOAD BEARING WALLS

N.T.S.
NOTE: WHERE WALLS ARE PARALLEL TO TRUSSES, ADD BLOCKING WITH STC CLIPS AT 2'-0" O.C. PROVIDE 1/2" GAP.



Approved	
Issued For	
Date	
Rev. No	

BRADY RESIDENCE
9 MOODY STREET
PORTLAND, ME 04101

SECTIONS

Designed	RTN	Scale	AS NOTED
Drawn	RJB	Date	1/8/18
Checked	PBB	Becker Job Number	4196

NOT FOR CONSTRUCTION
100% DD SET
01/08/18

THESE DWGS ARE NOT COMPLETE.
DESIGN IS STILL IN PROGRESS.
CONTRACTOR SHALL CARRY
APPROPRIATE CONTINGENCY.

S3.1