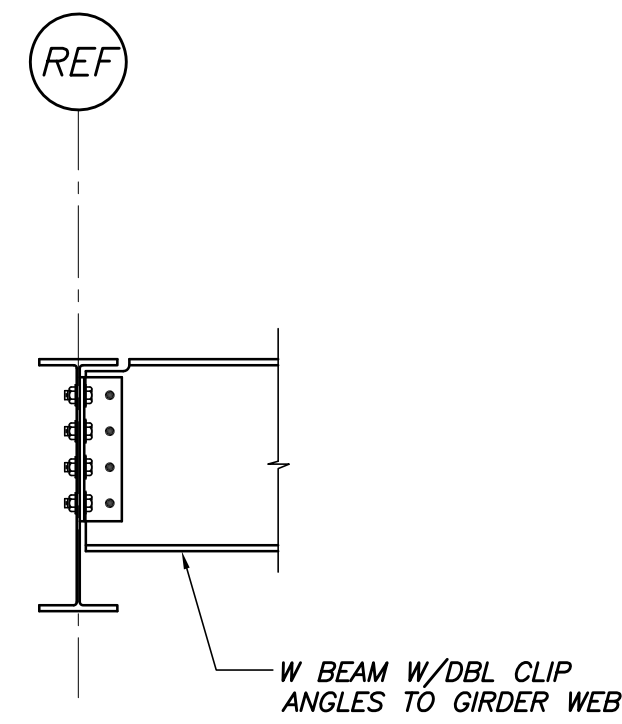
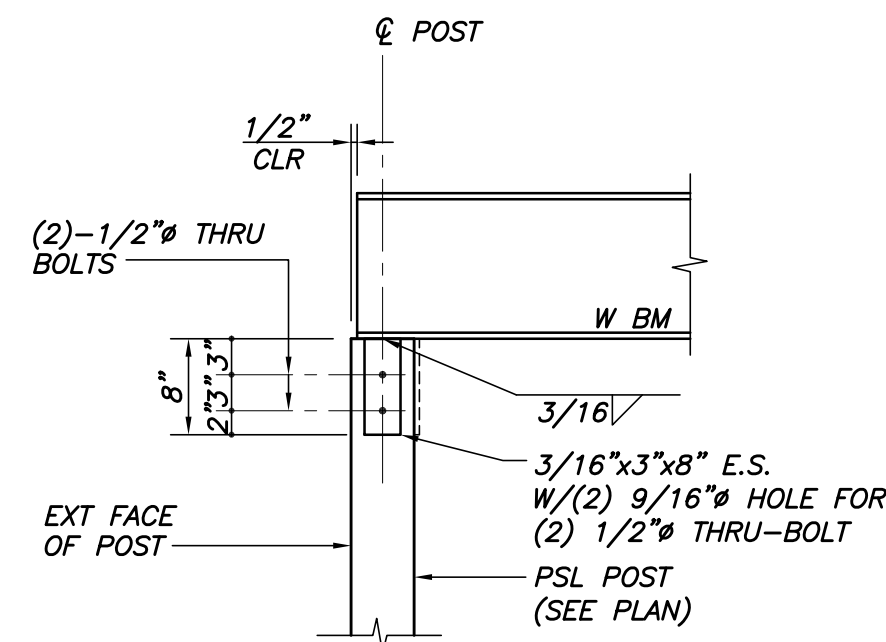


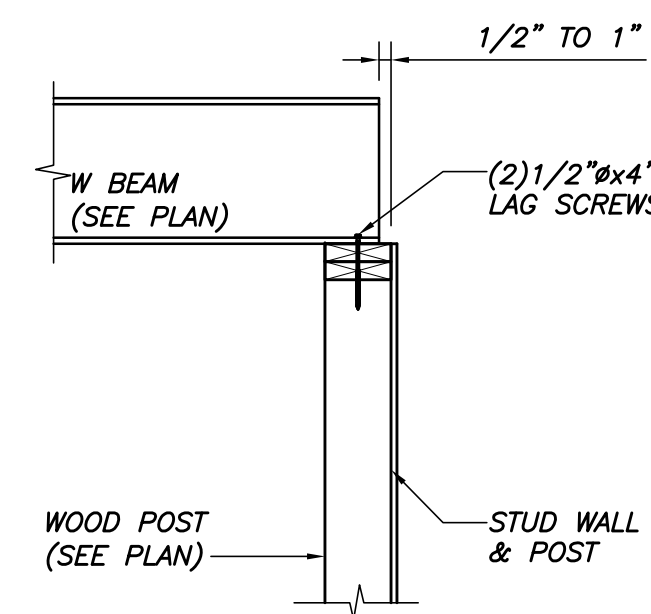
TYP BEAM TO HSS COL CONN U.N.O.
N.T.S.



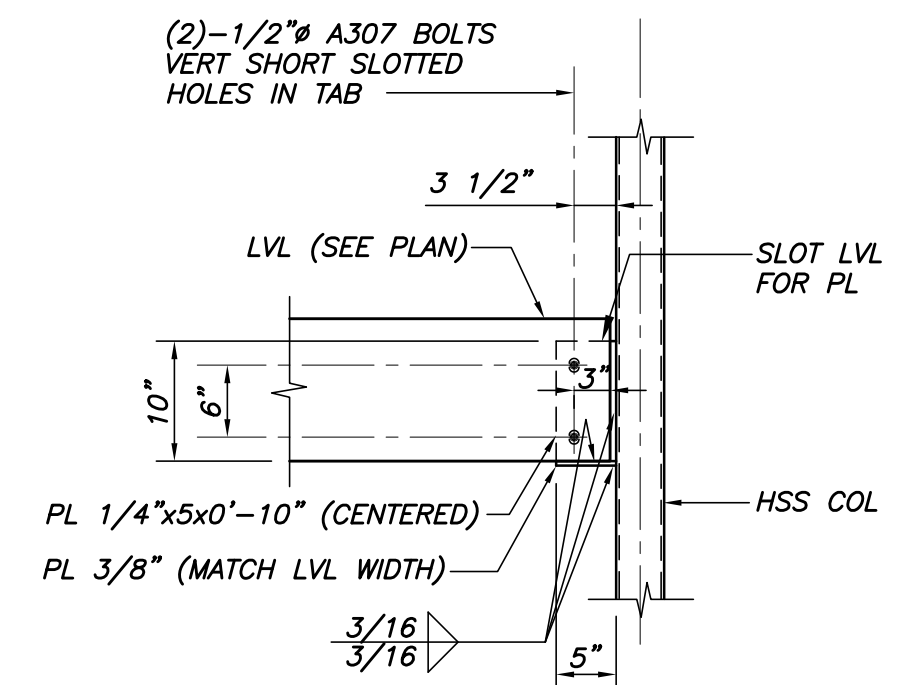
TYP BEAM/BEAM CONN DETAIL
N.T.S.



TYP W BEAM TO PSL POST
N.T.S.

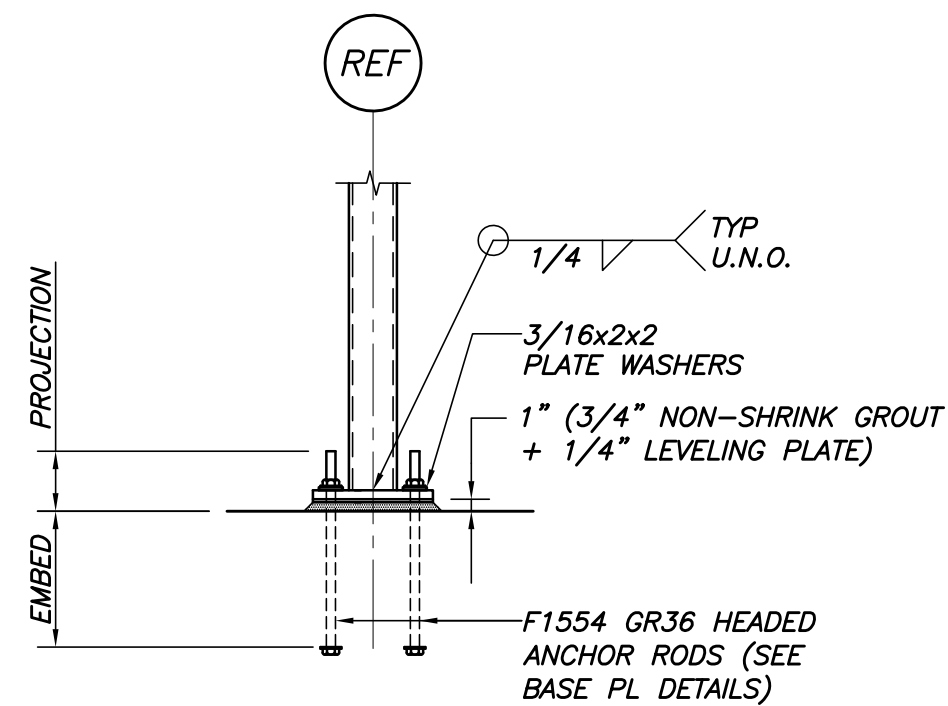


TYP WOOD POST TO W BEAM CONN DETAIL
N.T.S.

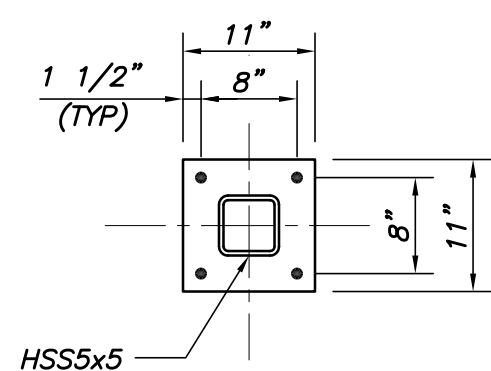


TYP LVL TO HSS COL CONN
N.T.S.

SHEAR PLATE SCHEDULE		
BEAM SIZE	PLATE SIZE	BOLTS
W14	PL 3/8x4x0'-9"	(3)-3/4" A325 BOLTS
W16	PL 3/8x4x1'-0"	(4)-3/4" A325 BOLTS
W21	PL 3/8x4x1'-3"	(5)-3/4" A325 BOLTS

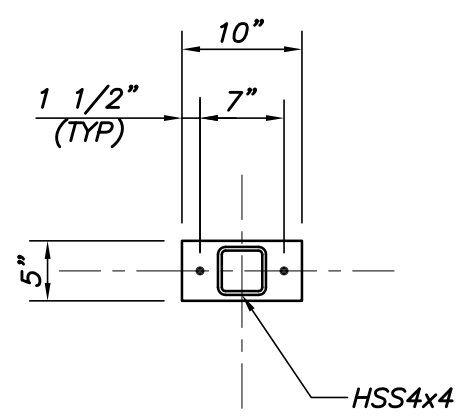


TYP COL BASE DETAIL U.N.O.
N.T.S.



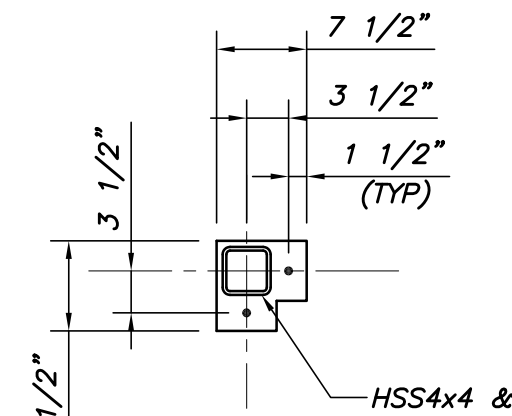
PL 3/4x11x0'-11"
W/(4)-1 5/16" HOLES FOR
W/12" GR 36 ANCHOR RODS
W/12" EMBED & 4" PROJ

BP-A



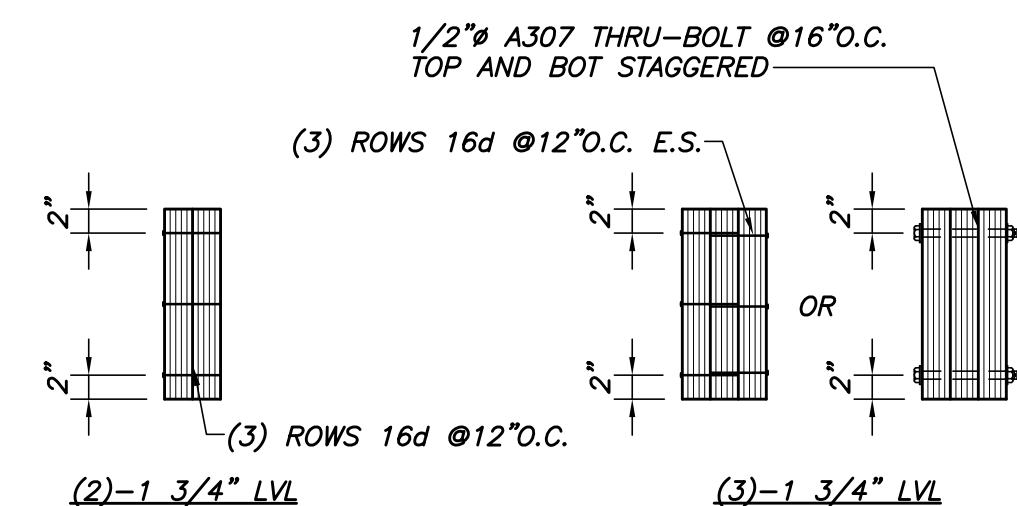
PL 3/4x5x0'-10"
W/(4)-1 5/16" HOLES FOR
W/12" GR 36 ANCHOR RODS
(9" EMBED & 5" PROJ)

BP-B



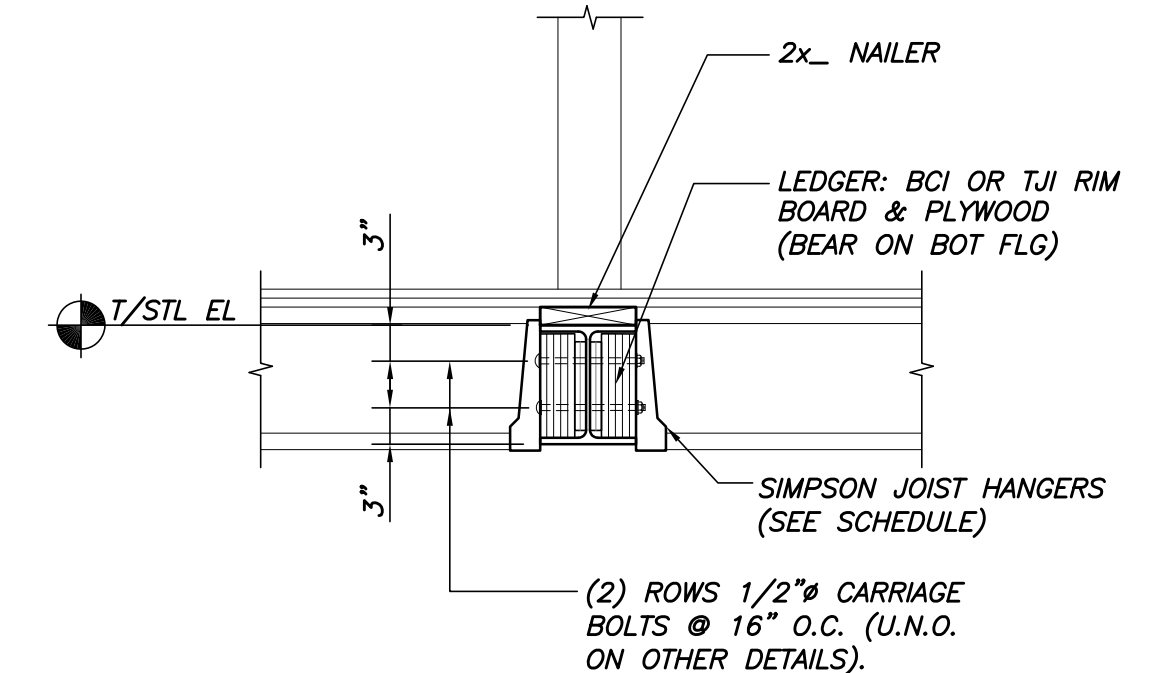
PL 3/4x7 1/2x0'-7 1/2"
W/(2)-1 5/16" HOLES FOR
W/12" GR 36 ANCHOR RODS
(9" EMBED & 5" PROJ)

BP-C

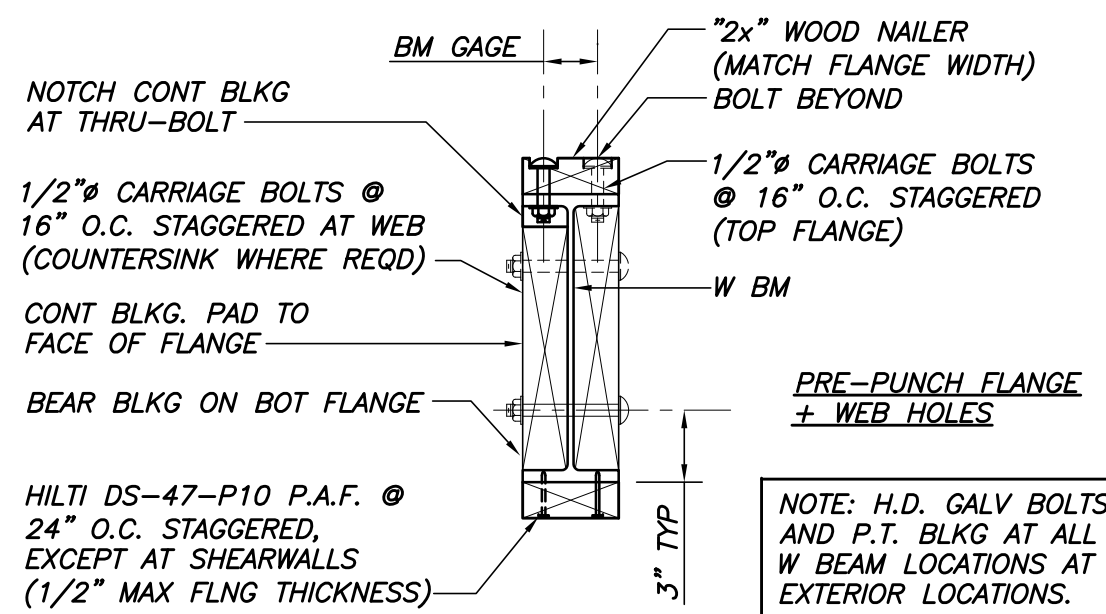


(SOLID LVL MEMBERS WITH EQUIVALENT MULTI PLY WIDTHS MAY BE USED)

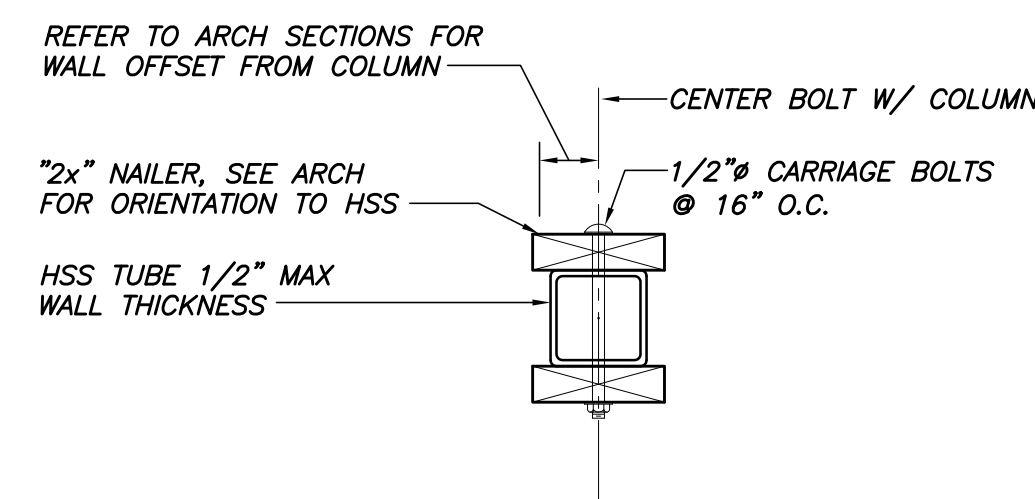
TYP "BUILT-UP" LVL DETAIL, U.N.O.
N.T.S.



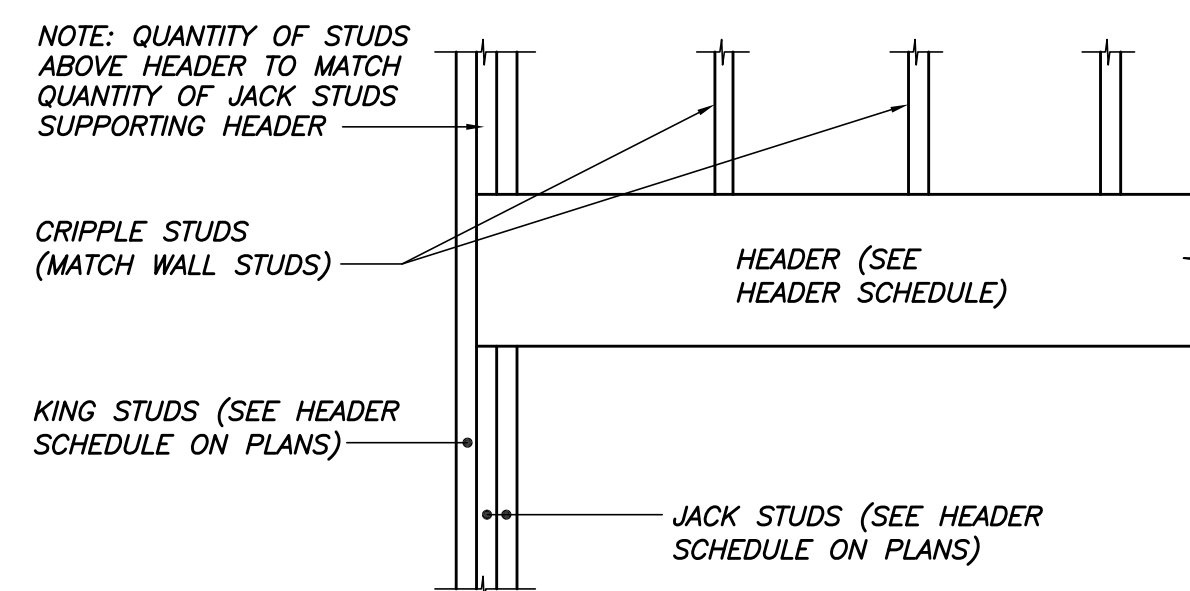
TYP FLUSH STEEL BEAM
3/4"=1'-0"



TYP WOOD NAILER/WEB BLKG TO W-BM DETAIL
N.T.S.

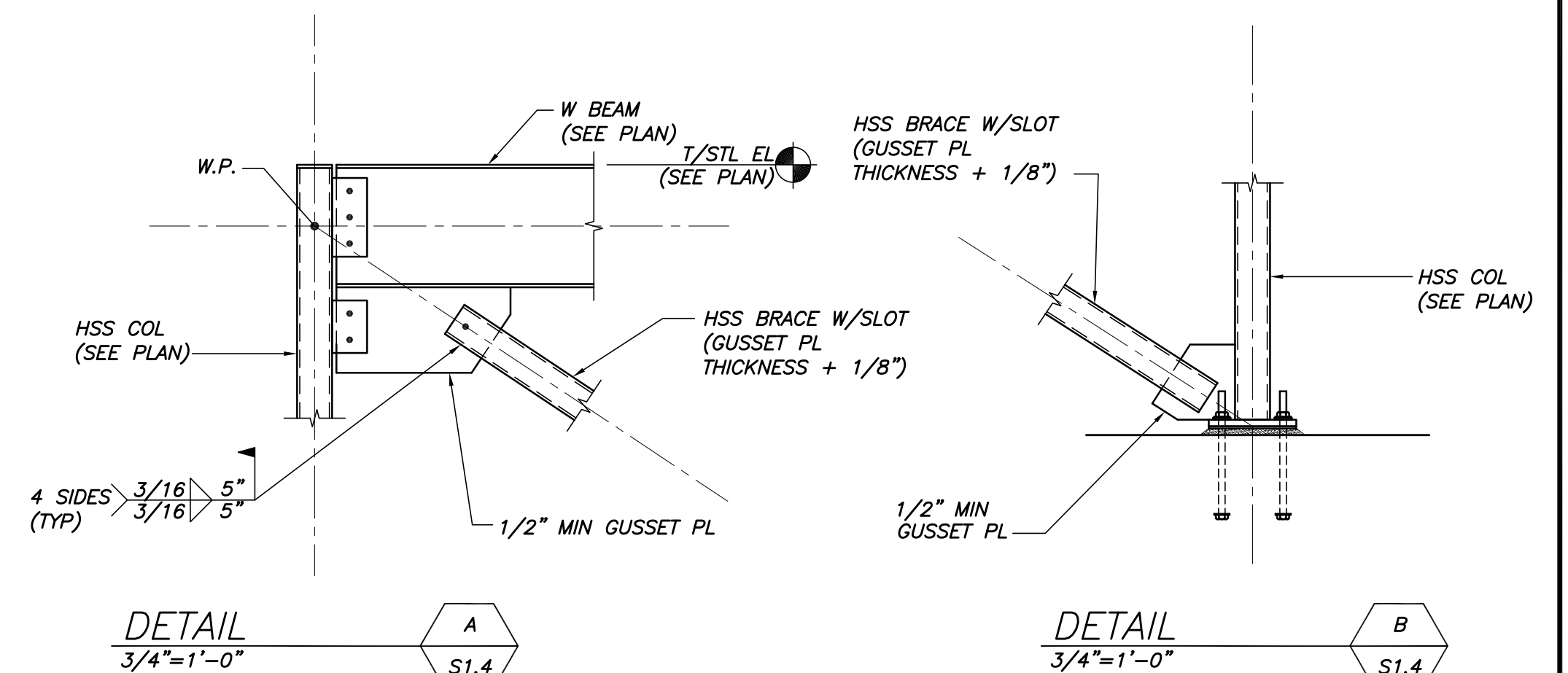


TYP WOOD NAILER TO HSS COL DETAIL
N.T.S.



TYP HEADER DETAIL
N.T.S.

NOTE: PROVIDE INSULATION WITHIN HEADERS IN EXTERIOR WALLS WHERE (2)2x OR (2) LVLs ARE SPECIFIED. COORDINATE REQUIREMENTS WITH ARCH.



DETAIL A
3/4"=1'-0"

DETAIL B
3/4"=1'-0"

Approved	
Issued For	
Date	
Rev No	

BRADY RESIDENCE
9 MOODY STREET
PORTLAND, ME 04101
TYPICAL DETAILS & SECTIONS

Designed RTN	Scale AS NOTED
Drawn RJB	Date 1/8/18
Checked PBB	Becker Job Number 4196

NOT FOR CONSTRUCTION
100% DD SET
01/08/18
THESE DWGS ARE NOT COMPLETE.
DESIGN IS STILL IN PROGRESS.
CONTRACTOR SHALL CARRY
APPROPRIATE CONTINGENCY.

S3.0