

**GENERAL NOTES**

- THE FOLLOWING NOTES ARE INTENDED TO BE USED AS OUTLINED SPECIFICATIONS FOR THIS PROJECT. THE REFERENCED STANDARDS ARE CONSIDERED TO BE PART OF THE WORK.
- STRUCTURAL DRAWINGS SHALL BE USED IN CONJUNCTION WITH ARCHITECTURAL, MECHANICAL, ELECTRICAL, PLUMBING, AND SITE DRAWINGS. CONSULT THESE DRAWINGS FOR LOCATIONS AND DIMENSIONS OF OPENINGS, CHASES, INSERTS, REGLETS, SLEEVES, DEPRESSIONS, AND OTHER DETAILS NOT SHOWN ON STRUCTURAL DRAWINGS.
- ALL DIMENSIONS AND CONDITIONS MUST BE VERIFIED IN THE FIELD. ANY DISCREPANCIES SHALL BE BROUGHT TO THE ATTENTION OF THE ARCHITECT BEFORE PROCEEDING WITH THE AFFECTED PART OF THE WORK.
- THE STRUCTURE IS DESIGNED TO BE SELF SUPPORTING AND STABLE ONLY AFTER THE STRUCTURAL WORK CONTAINED IN THE STRUCTURAL DRAWINGS IS COMPLETED. IT IS THE CONTRACTOR'S SOLE RESPONSIBILITY TO DETERMINE ERECTION PROCEDURES AND SEQUENCE TO ENSURE THE SAFETY OF THE BUILDING AND ITS COMPONENTS DURING ERECTION. THIS INCLUDES THE ADDITION OF NECESSARY SHORING, SHEETING, TEMPORARY BRACING, GUYS OR TIEDOWNS. SUCH MATERIAL SHALL REMAIN THE PROPERTY OF THE CONTRACTOR AFTER COMPLETION OF THE PROJECT.
- SECTIONS AND DETAILS SHOWN ON ANY STRUCTURAL DRAWINGS SHALL BE CONSIDERED TYPICAL FOR SIMILAR CONDITIONS AS DETERMINED BY THE ENGINEER.
- ALL APPLICABLE FEDERAL, STATE, AND MUNICIPAL REGULATIONS SHALL BE FOLLOWED, INCLUDING THE FEDERAL DEPARTMENT OF LABOR OCCUPATIONAL SAFETY AND HEALTH ACT (OSHA).

**DESIGN LOADS**

- BUILDING CODE: MAINE UNIFORM BUILDING AND ENERGY CODE, INTERNATIONAL RESIDENTIAL CODE, 2009 EDITION ASCE 7-05 MINIMUM DESIGN LOADS FOR BUILDINGS AND OTHER STRUCTURES.
- DESIGN FLOOR LIVE LOADS:  
UNINHABITABLE ATTICS W/ LIGHT STORAGE 20 PSF  
SLEEPING ROOMS 30 PSF  
ALL OTHER AREAS 40 PSF
- DESIGN ROOF SNOW LOAD:  
GROUND SNOW LOAD (Pg): 60 PSF  
SNOW EXPOSURE FACTOR (Ce): 1.0  
SNOW LOAD IMPORTANCE FACTOR (Is): 1.0  
SNOW LOAD THERMAL FACTOR (Ct): 1.1  
FLAT ROOF SNOW LOAD (P): 46 PSF + DRIFT
- DESIGN WIND LOAD:  
BASIC WIND SPEED: 100 MPH  
WIND LOAD IMPORTANCE FACTOR (Iw): 1.0  
WIND EXPOSURE: C  
INTERNAL PRESSURE COEFFICIENT: ±0.18  
COMPONENTS & CLADDING LOADS PER ASCE 7-05

**FOUNDATION NOTES (SOIL SUPPORTED)**

- FOUNDATION DESIGN IS BASED ON SHALLOW SPREAD FOOTINGS BEARING ON SUITABLE UNDISTURBED NATIVE SOILS AND/OR NEW COMPACTED STRUCTURAL FILL EXTENDING TO UNDISTURBED NATIVE SOIL.
- IT IS THE CONTRACTOR'S SOLE RESPONSIBILITY TO VERIFY EXISTING SOIL CONDITIONS AND TO BRING ANY DISCREPANCIES TO THE ATTENTION OF THE ARCHITECT PRIOR TO COMMENCING PLACEMENT OF FOUNDATIONS.
- PRESUMPTIVE BEARING CAPACITY OF 3000 PSF.
- EXTEND BOTTOM OF EXTERIOR FOOTINGS AT LEAST 4.5 FEET BELOW THE FINAL EXTERIOR GRADE FOR PROTECTION AGAINST Frost.
- ALL PAVEMENT, EXISTING FOUNDATIONS AND UNCONTROLLED GRANULAR FILL SHALL BE REMOVED FROM THE AREA OF THE PLANNED FOUNDATION TO AT LEAST 4 FEET BEYOND THE FOOTING LIMIT.
- COMPACTED STRUCTURAL FILL SHALL BE USED TO BACKFILL TO THE DESIGN FOOTING SUBGRADE AND BENEATH ALL SLABS ON GRADE. STRUCTURAL FILL SHALL BE A CLEAN SAND-GRAVEL MIXTURE MEETING THE FOLLOWING GRADATION:  

SCREEN OR SIEVE SIZE	PERCENT PASSING
6 INCH	100
3 INCH	90-100
1/4 INCH	25-90
NO. 40	0-30
NO. 200	0-5
- STRUCTURAL FILL SHALL BE PLACED IN UNIFORM LIFTS NOT EXCEEDING 8 INCHES IN LOOSE THICKNESS AND SHALL BE COMPACTED TO 95 PERCENT OF MAXIMUM DRY DENSITY PER ASTM D1557, MODIFIED PROCTOR TEST. COMPACT ADJACENT TO FOUNDATION WALLS SUPPORTING UNBALANCED FILL (RETAINING WALLS) TO 94 TO 96 PERCENT OF MAXIMUM DRY DENSITY PER ASTM D1557. HAND OPERATED EQUIPMENT SHALL BE USED FOR COMPACTION WITHIN 8 FEET OF NEW FOUNDATION WALL.
- NO BACKFILL SHALL BE PLACED AGAINST FOUNDATION WALLS RETAINING EARTH, UNLESS WALLS ARE ADEQUATELY BRACED TO PREVENT MOVEMENT OR STRUCTURAL DAMAGE.
- PROVIDE PVC DRAINPIPE AROUND THE PERIMETER OF THE STRUCTURE. LOCATE AT THE BOTTOM OF THE FOUNDATION WALLS AND PROVIDE POSITIVE GRAVITY FLOW TO PROPERLY DESIGNED OUTLET. REFER TO SITE DRAWINGS FOR ADDITIONAL INFORMATION.
- SOILS EXPOSED AT THE BASE OF ALL SATISFACTORY FOUNDATION EXCAVATIONS SHALL BE PROTECTED AGAINST ANY DETRIMENTAL CHANGE IN CONDITION, SUCH AS DISTURBANCE FROM RAIN OR FROST. SURFACE RUNOFF SHALL BE DRAINED AWAY FROM THE EXCAVATIONS SHALL BE ADEQUATELY PROTECTED FROM RAINFALL OR FREEZING CONDITIONS. GROUNDWATER SHALL BE ANTICIPATED FOR EXCAVATIONS AND APPROPRIATE DEWATERING MEASURES SHALL BE EMPLOYED.
- SLOPE FOOTING EXCAVATIONS AS REQUIRED FOR STABILITY AND SAFETY IN ACCORDANCE WITH OSHA REQUIREMENTS. PROVIDE SHEETING OR SHORING IN ACCORDANCE WITH OSHA GUIDELINES. BRACED EXCAVATIONS SHALL BE DESIGNED BY A PROFESSIONAL ENGINEER REGISTERED IN THE STATE OF MAINE.

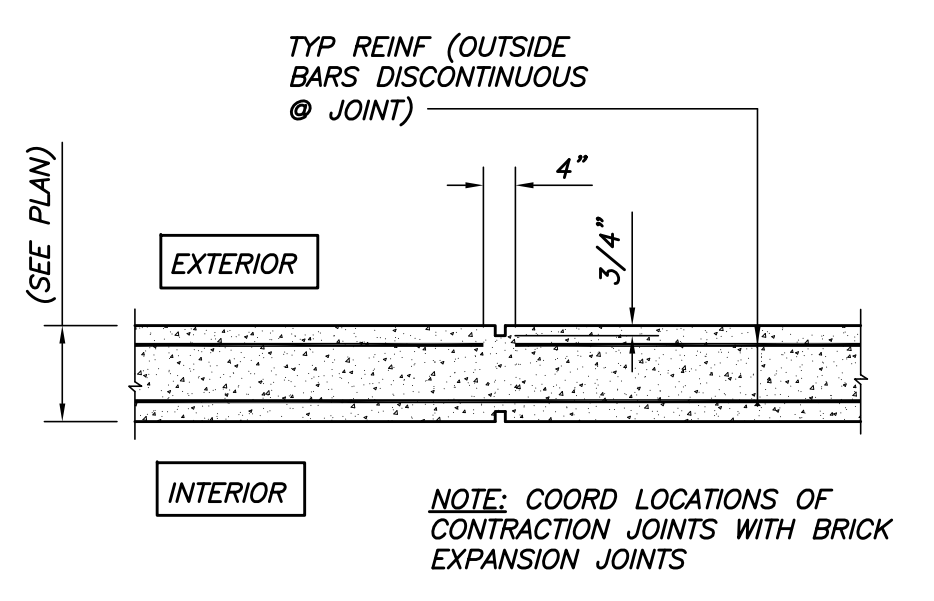
**CONCRETE NOTES**

- CONCRETE WORK SHALL CONFORM TO "BUILDING CODE REQUIREMENTS FOR REINFORCED CONCRETE (ACI 318 LATEST)," AND "SPECIFICATIONS FOR STRUCTURAL CONCRETE (ACI 301-LATEST)". THESE PUBLICATIONS ARE AVAILABLE THROUGH THE AMERICAN CONCRETE INSTITUTE (248) 848-3800.
- GENERAL CONTRACTOR, CONSTRUCTION MANAGER AND/OR OWNER'S CLERK OF THE WORKS SHALL HAVE AVAILABLE ON SITE AT ALL TIMES A COPY OF ACI "FIELD REFERENCE MANUAL SP-15 (LATEST)". THIS PUBLICATION IS AVAILABLE THROUGH THE AMERICAN CONCRETE INSTITUTE (248) 848-3800.
- CONCRETE SHALL BE CONTROLLED CONCRETE, PROPORTIONED, MIXED, AND PLACED IN ACCORDANCE WITH THE PROVISIONS SET FORTH IN ACI 318-LATEST.
- CONCRETE MIX DESIGN:**  
FOOTINGS & FOUNDATION WALLS:  
A. STRENGTH: 3500 PSI @ 28 DAYS  
B. AGGREGATE: 3/4"  
C. W/C RATIO: 0.55 MAX  
D. ENTRAINED AIR: 5% TO 7%  
E. SLUMP: 4" MAX  
INTERIOR SLABS ON GRADE:  
A. STRENGTH: 3000 PSI @ 28 DAYS  
B. AGGREGATE: 3/4"  
C. W/C RATIO: 0.55 MAX  
D. ENTRAPPED AIR ONLY (NO ENTRAINMENT)  
E. SLUMP: 4" MAX  
EXTERIOR SLABS ON GRADE:  
**NOTE:**  
A. ADD AIR ENTRAINING ADMIXTURE AT MANUFACTURER'S PRESCRIBED RATE TO RESULT IN CONCRETE AT POINT OF PLACEMENT HAVING THE ABOVE NOTED AIR CONTENT.  
B. ADDITIONAL SLUMP MAY BE ACHIEVED BY THE ADDITION OF A MIDRANGE OR HIGH RANGE WATER REDUCING ADMIXTURE. MAXIMUM SLUMP AFTER ADDITION OF ADMIXTURE SHALL BE 6 INCHES AND 8 INCHES RESPECTIVELY.
- ADJUSTMENT TO CONCRETE MIXES: MIX ADJUSTMENTS MAY BE REQUESTED BY THE CONTRACTOR, WHEN CHARACTERISTICS OF THE MATERIALS, JOB CONDITIONS, WEATHER OR OTHER CIRCUMSTANCES WARRANT, AT NO ADDITIONAL COST TO THE OWNER AS ACCEPTED BY THE ARCHITECT. LABORATORY TEST DATA FOR THE REVISED MIX DESIGN AND STRENGTH DATA MUST BE SUBMITTED AND ACCEPTED BY THE ARCHITECT BEFORE INCORPORATING INTO THE WORK.  
**NOTE:**  
A. WATER MAY BE ADDED AT THE PROJECT ONLY IF THE MAXIMUM SPECIFIED WATER-CEMENT RATIO AND SLUMP ARE NOT EXCEEDED. CONTRACTOR SHALL HAVE BATCH TICKET INDICATING WATER AND CEMENT MIXED IN THE PLANT, AND SHALL RECORD THE WATER ADDED AS EVIDENCE THAT THE WATER-CEMENT RATIO HAS NOT BEEN EXCEEDED.  
B. ADDITIONAL DOSES OF SUPER PLASTICIZER SHOULD BE USED WHEN DELAYS OCCUR AND REQUIRED SLUMP HAS NOT BEEN MAINTAINED. A MAXIMUM OF TWO ADDITIONAL DOSAGES ARE PERMITTED PER ACI 212.3R RECOMMENDATIONS.
- CONCRETE MIXING:  
A. JOB-SITE MIXING OF CONCRETE WILL NOT BE PERMITTED.  
B. READY-MIX CONCRETE MUST COMPLY WITH THE REQUIREMENTS OF ASTM C94, AND AS SPECIFIED HEREIN. PROVIDE BATCH TICKET FOR EACH BATCH DISCHARGED AND USED IN WORK, INDICATING PROJECT NAME, MIX TYPE, MIX TIME, BATCH QUANTITY, AND PROPORTIONS OF INGREDIENTS.
- CONCRETE SHALL NOT BE PLACED IN WATER OR ON FROZEN GROUND.
- PROVIDE PVC SLEEVES WHERE PIPES PASS THROUGH EXTERIOR CONCRETE OR SLABS CAST ON GRADE. ADJACENT SLEEVES SHALL BE SPACED A MINIMUM OF THREE DIAMETERS APART. NO PENETRATIONS SHALL BE MADE THROUGH FOOTINGS WITHOUT WRITTEN PERMISSION FROM ENGINEER.
- REINFORCING BARS SHALL CONFORM TO ASTM A615 GRADE 60 DEFORMED BARS AND SHALL BE DETAILED, FABRICATED AND PLACED IN ACCORDANCE WITH ACI 315, LATEST EDITION.
- WELDED WIRE FABRIC SHALL CONFORM TO ASTM A185 AND SHALL BE PROVIDED IN FLAT SHEETS. LAP TWO SQUARES AT ALL JOINTS AND TIE AT 3'-0" ON CENTER.
- COMPLETE SHOP DRAWINGS AND SCHEDULES OF ALL REINFORCING STEEL SHALL BE PREPARED BY THE CONTRACTOR AND SUBMITTED TO THE STRUCTURAL ENGINEER FOR REVIEW. PROVIDE AND SCHEDULE ON THE SHOP DRAWINGS ALL NECESSARY ACCESSORIES TO HOLD REINFORCEMENT SECURELY IN POSITION. MINIMUM REQUIREMENTS SHALL BE: HIGH CHAIRS AT 4'-0" O.C. WITH CONTINUOUS # 5 SUPPORT BARS; SLAB BOLSTERS, CONTINUOUS AND 3'-6" O.C.; BEAM BOLSTERS AT 5'-0" O.C.
- MINIMUM CONCRETE PROTECTIVE COVERING FOR REINFORCEMENT, UNLESS NOTED OTHERWISE, SHALL BE AS FOLLOWS:  
A. SURFACES CAST AGAINST AND PERMANENTLY IN CONTACT WITH EARTH, 3.0"  
B. FORMED SURFACES IN CONTACT WITH EARTH OF EXPOSED TO WEATHER #5 BARS: 5/8" DIAMETER WIRE, AND SMALLER, 1.5" #6 THROUGH #11 BARS, 2.0"  
C. SURFACES NOT IN CONTACT WITH EARTH OR EXPOSED TO WEATHER WALLS, SLABS, JOISTS #11 AND SMALLER, 1.0"
- REINFORCEMENT SHALL BE CONTINUOUS AROUND CORNERS AND AT INTERSECTIONS. PROVIDE LAPPED BARS AT NECESSARY SPLICES OR HOOKED BARS AT DISCONTINUOUS ENDS. SEE SCHEDULE FOR REQUIRED REBAR LAP SPLICE LENGTHS.
- WELDING OF REINFORCEMENT IS NOT PERMITTED.
- FOR ALL OPENINGS IN CONCRETE SLABS, PROVIDE SUPPLEMENTAL REINFORCING AROUND OPENING AS SHOWN ON THE CONTRACT DOCUMENTS TYPICAL DETAILS.
- SEE TYPICAL DETAILS FOR SPECIFIC UNDERSLAB PREPARATION REQUIREMENTS.
- CONTRACTION/CONTROL JOINTS SHOWN ON DRAWINGS ARE MANDATORY. OMISSIONS, ADDITIONS, OR CHANGES SHALL NOT BE MADE EXCEPT WITH THE SUBMITTAL OF A WRITTEN REQUEST TOGETHER WITH DRAWINGS OF THE PROPOSED JOINT LOCATIONS FOR APPROVAL BY THE STRUCTURAL ENGINEER.
- CONCRETE SHALL BE PLACED WITHOUT HORIZONTAL CONSTRUCTIONS JOINTS EXCEPT WHERE SHOWN OR NOTED. VERTICAL CONSTRUCTION JOINTS AND STOPS IN CONCRETE WORK SHALL BE MADE AT MIDSPAN OR AT POINTS OF MINIMUM SHEAR.
- ALL GROUT BENEATH BASE PLATES & BEARING PLATES SHALL BE "5-STAR" 5000 PSI NON-SHRINK GROUT BY U.S. GROUT CORP., OR APPROVED EQUAL.

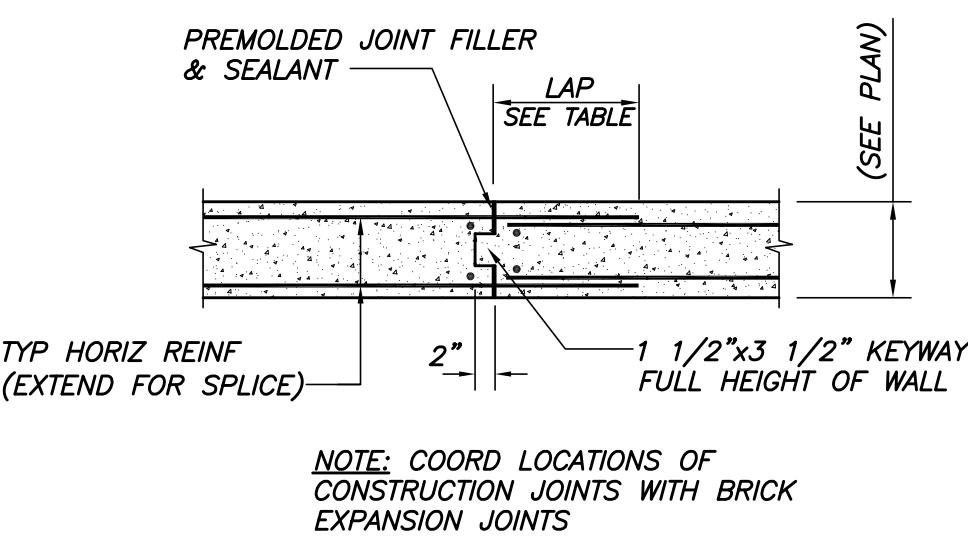
BAR SIZE	LAP LENGTH
#3	30"
#4	36"
#5	48"

**STRUCTURAL STEEL NOTES**

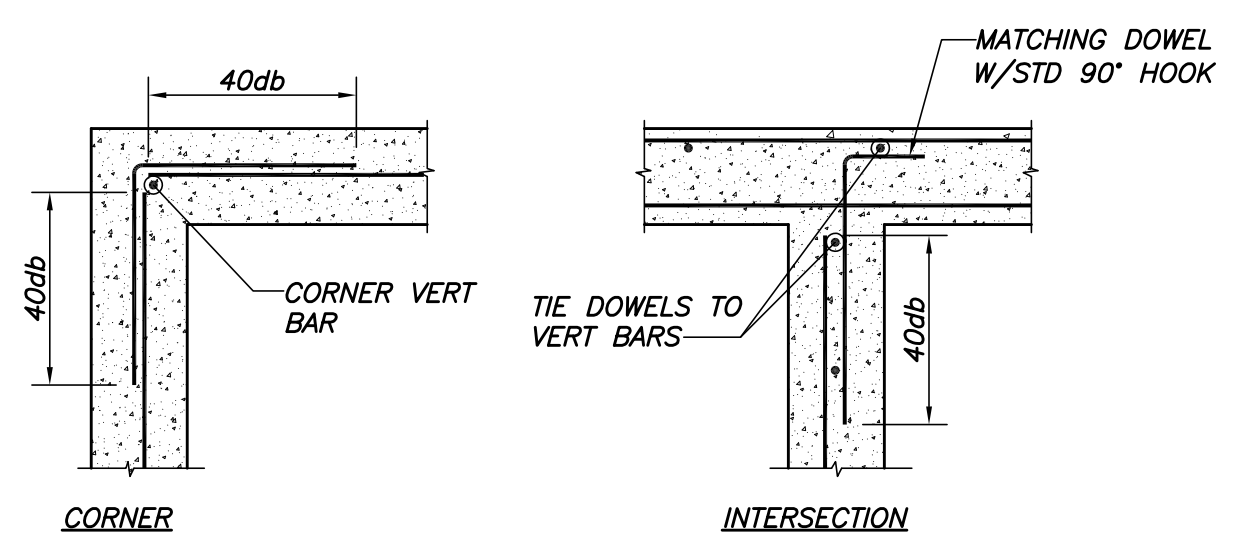
- STRUCTURAL STEEL FABRICATION, ERECTION, AND CONNECTION DESIGN SHALL CONFORM TO AISC "SPECIFICATION FOR THE DESIGN FABRICATIONS, AND ERECTION OF STRUCTURAL STEEL" LATEST EDITION, AND THE "CODE OF STANDARD PRACTICE", LATEST EDITION.
- STRUCTURAL STEEL: STEEL PLATES, SHAPES, AND BARS, CONFORM TO ASTM A36 UNLESS NOTED OTHER WISE (U.N.O.). STRUCTURAL STEEL SHAPES DESIGNATED ON THE DRAWINGS FOR WIDE-FLANGE SECTIONS: ASTM A992 (ASTM A572 GRADE 50 WITH SPECIAL REQUIREMENTS PER AISC TECHNICAL BULLETIN #3 DATED MARCH, 1997)
- STRUCTURAL TUBING: CONFORM TO ASTM A500 GRADE B46 KSI.
- CONNECTION DESIGN FOR THIS PROJECT IS THE RESPONSIBILITY OF THE FABRICATOR. CONNECTION CALCULATIONS, SIGNED AND SEALED BY A PROFESSIONAL ENGINEER LICENSED IN THE STATE OF MAINE SHALL BE SUBMITTED WITH THE SHOP DRAWINGS FOR THIS PROJECT. SEE THE PROJECT SPECIFICATIONS FOR ADDITIONAL REQUIREMENTS.
- FIELD CONNECTIONS SHALL BE BOLTED USING ASTM A325N HIGH STRENGTH BOLTS (U.N.O.) EXCEPT WHERE SLIP CRITICAL CONNECTIONS ARE REQUIRED AND NOTED BY A325 (SC) ON THE DRAWINGS. PROVIDE SLIP CRITICAL (SC) CONNECTIONS AT ALL MOMENT CONNECTIONS, BRACED FRAMES, RELIEVING ANGLES AND AS OTHERWISE NOTED. USE A490 BOLTS WHERE INDICATED.
- WHERE WELDING IS INDICATED, ALL WELDING SHALL CONFORM TO AWS D1.1-LATEST EDITION. ELECTRODES SHALL CONFORM TO AWS A5.1 E70XX SERIES WITH PROPER ROD TO PRODUCE OPTIMUM WELD (LOW HYDROGEN)
- SEE CONCRETE NOTES AND DRAWINGS FOR ANCHOR BOLT INFORMATION, TYP.
- PROVIDE 3/8" MINIMUM STIFFENER PLATES EACH SIDE OF BEAM WEB AT BEAMS FRAMING OVER COLUMNS AND AT BEAMS SUPPORTING COLUMNS ABOVE.
- PROVIDE 1/4" THICK LEVELING PLATE UNDER ALL COLUMN BASE PLATES UNLESS OTHERWISE NOTED. LEVELING PLATES SHALL BE SET AND GROUTED PRIOR TO ERECTING COLUMNS.
- PROVIDE ALL MISCELLANEOUS ANGLES, PLATES, ANCHOR BOLTS ETC., SHOWN ON ARCHITECTURAL DRAWINGS FOR SUPPORT OF BLOCKING, PARAPETS, FINISHES, ETC. COORDINATE WITH MISCELLANEOUS METAL FABRICATOR TO ENSURE COMPLETE COVERAGE OF ALL ITEMS.
- ALL TIMBER FRAMING SHALL BE IN ACCORDANCE WITH THE AITC TIMBER CONSTRUCTION MANUAL-LATEST EDITION, AND THE AF & PA NATIONAL DESIGN SPECIFICATION FOR WOOD CONSTRUCTION (NDS) LATEST EDITION.
- INDIVIDUAL TIMBER FRAMING MEMBERS SHALL BE VISUALLY GRADED, MINIMUM GRADE NO1/NO2 SPRUCE-PINE-FIR KILN DRIED TO 19% MAXIMUM MOISTURE CONTENT UNLESS OTHERWISE INDICATED ON THE DRAWINGS.
- ENGINEERED WOOD PRODUCTS SHALL BE AS SPECIFIED ON THE DRAWINGS. REFER TO MANUFACTURER'S LITERATURE FOR PROPER HANDLING AND INSTALLATION GUIDELINES. MANUFACTURER AND PRODUCT SHALL BE:  
**TRUS-JOIST:** I-JOIST (TJI), PARALLAM (PSL), MICROLAM (LVL), TIMBERSTRAND (LSL) BOISE. I-JOIST (BOJ), VERSALAM (LVL)
- SUBSTITUTIONS OF ENGINEERED WOOD MATERIALS OTHER THAN THOSE SPECIFIED WILL BE PERMITTED ONLY WITH WRITTEN CERTIFICATION FROM THE MANUFACTURER THAT SUBSTITUTED ITEMS "MEETS OR EXCEED" ALL PROPERTIES OF SPECIFIED PRODUCT, INCLUDING ENGINEERING AND DURABILITY CHARACTERISTICS. SUBSTITUTIONS ARE SUBJECT TO APPROVAL BY THE ARCHITECT AND ENGINEER.
- PRESSURE TREATED LUMBER SHALL BE USED FOR SILL MEMBERS, EXTERIOR EXPOSURE, OR WHERE SHOWN ON THE DRAWINGS. TIMBER SHALL BE SOUTHERN YELLOW PINE TREATED WITH CCA OR ACQ TO 0.4 #/CF IN ACCORDANCE WITH AWP C-18. ACZA IS STRICTLY PROHIBITED.
- ALL ROOF AND WALL SHEATHING SHALL BE APA PERFORMANCE-RATED. PROVIDE 5/8" THICK CD-X ROOF SHEATHING AND 1/2" THICK WALL SHEATHING (U.N.O.) SEE SHEARWALL SCHEDULE FOR NAILING REQUIREMENTS EXCLUSIVE TO SHEARWALLS. SHEATHING SHALL BE NAILED TO THE FRAMING AS FOLLOWS, U.N.O.:  
**TYPICAL PANEL FASTENING (U.N.O.)**  
A. ROOFS: 8d NAILS AT 6" O.C. AT SUPPORTED PANEL EDGES AND 12" O.C. AT INTERMEDIATE SUPPORTS.  
B. WALLS: 8d NAILS AT 6" O.C. AT SUPPORTED PANEL EDGES AND 12" O.C. AT INTERMEDIATE SUPPORTS.
- FLOOR SHEATHING SHALL BE 3/4", APA RATED TONGUE AND GROOVE PANELS. GLUE AND NAIL TO FLOOR FRAMING WITH 8d RING SHANK NAILS AT 6" O.C. AT SUPPORTED PANEL EDGES AND 12" O.C. AT INTERMEDIATE SUPPORTS.
- ALL BUILT-UP BEAMS AND COLUMNS SHALL BE NAILED AS FOLLOWS (FASTENING IN EACH PLY):  
**UNIFORMLY LOADED BEAMS:**  
BEAM DEPTH <16" - 2 ROWS OF 16d NAILS AT 12" O.C., STAGGERED  
BEAM DEPTH >=16" - 3 ROWS OF 16d NAILS AT 12" O.C. STAGGERED  
NOTE: SIDE LOADED BEAMS REQUIRE ADDITIONAL FASTENING. SEE DETAILS.  
**COLUMNS:**  
2-10d NAILS AT 6" O.C.
- FASTENING NOT SPECIFIED SHALL CONFORM WITH IBC (2009) TABLE 2304.9.1. NAIL FASTENERS SHALL MEET THE REQUIREMENTS OF ASTM F1667. UNLESS NOTED OTHERWISE, NAILS REFERENCED ON DRAWINGS ARE TO BE COMMON NAILS WITH DIMENSIONS AS FOLLOWS:  
6d: 2" LONG BY 0.113" DIAMETER SHANK WITH 0.266" DIAMETER HEAD  
8d: 2 1/2" LONG BY 0.131" DIAMETER SHANK WITH 0.281" DIAMETER HEAD  
10d: 3" LONG BY 0.148" DIAMETER SHANK WITH 0.312" DIAMETER HEAD  
12d: 3 1/4" LONG BY 0.148" DIAMETER SHANK WITH 0.312" DIAMETER HEAD  
16d: 3 1/2" LONG BY 0.162" DIAMETER SHANK WITH 0.344" DIAMETER HEAD  
20d: 4" LONG BY 0.192" DIAMETER SHANK WITH 0.406" DIAMETER HEAD  
30d: 4 1/2" LONG BY 0.207" DIAMETER SHANK WITH 0.438" DIAMETER HEAD
- ALL TIMBER CONNECTION HARDWARE (JOIST HANGERS, POST BASES, SHEARWALL HOLD-DOWNS, ETC) SHALL BE AS INDICATED ON THE DRAWINGS AND MANUFACTURED BY SIMPSON STRONG-TIE. ALL CONNECTION HARDWARE SHALL BE HOT-DIPPED GALVANIZED G-90 (U.N.O.). CONNECTION HARDWARE USED IN CONTACT WITH PRESERVATIVE TREATMENT SHALL BE GALVANIZED G185 (ZMAX) USE FASTENERS AND HANGERS OF SAME MATERIAL & COATING. REFER TO MANUFACTURER'S LITERATURE FOR PROPER HANDLING AND INSTALLATION GUIDELINES.
- FASTENERS USED IN CONTACT WITH PT LUMBER SHALL BE HOT DIPPED GALVANIZED (ASTM A153), STAINLESS STEEL, OR OTHER FINISH AS APPROVED BY THE ENGINEER.



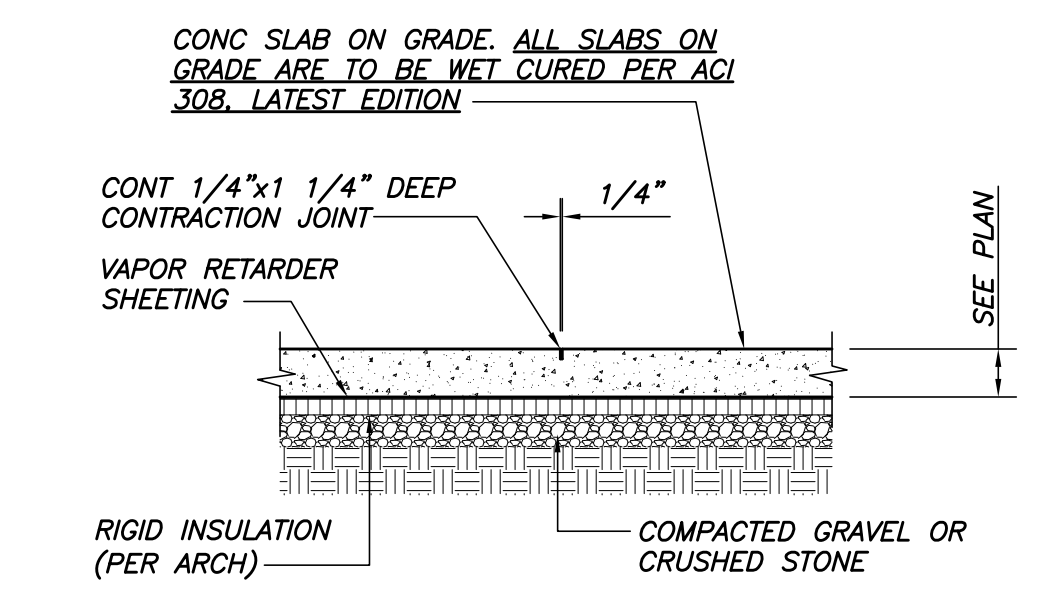
**TYP CONTRACTION JOINT IN WALL**  
N.T.S.



**TYP CONSTRUCTION JOINT IN WALL**  
N.T.S.



**TYP WALL REINF DETAILS**  
N.T.S.



**TYP SLAB ON GRADE & CONTRACTION JOINT DETAIL**  
N.T.S.

NOT FOR CONSTRUCTION  
100% DD SET 01/08/18

THESE DWGS ARE NOT COMPLETE.  
DESIGN IS STILL IN PROGRESS.  
CONTRACTOR SHALL CARRY  
APPROPRIATE CONTINGENCY.



Project	
Issued For	
Date	
Rev. No	

BRADY RESIDENCE  
9 MOODY STREET  
PORTLAND, ME 04101  
GENERAL NOTES & TYPICAL DETAILS

Designed	RTN	Scale	AS NOTED
Drawn	RJB	Date	1/8/18
Checked	PBB	Becker Job Number	4196

S1.0

THIS DRAWING IS AN INSTRUMENT OF SERVICE AND SHALL REMAIN THE PROPERTY OF BECKER STRUCTURAL ENGINEERS, INC. IT SHALL NOT BE REPRODUCED, COPIED, LENT, OR DISPOSED OF DIRECTLY OR INDIRECTLY, NOR USED FOR ANY PURPOSE OTHER THAN FOR WHICH IT IS SPECIFICALLY FURNISHED AND MUST BE RETURNED TO BECKER STRUCTURAL ENGINEERS, INC. ON COMPLETION OF WORK. IF REQUESTED.