

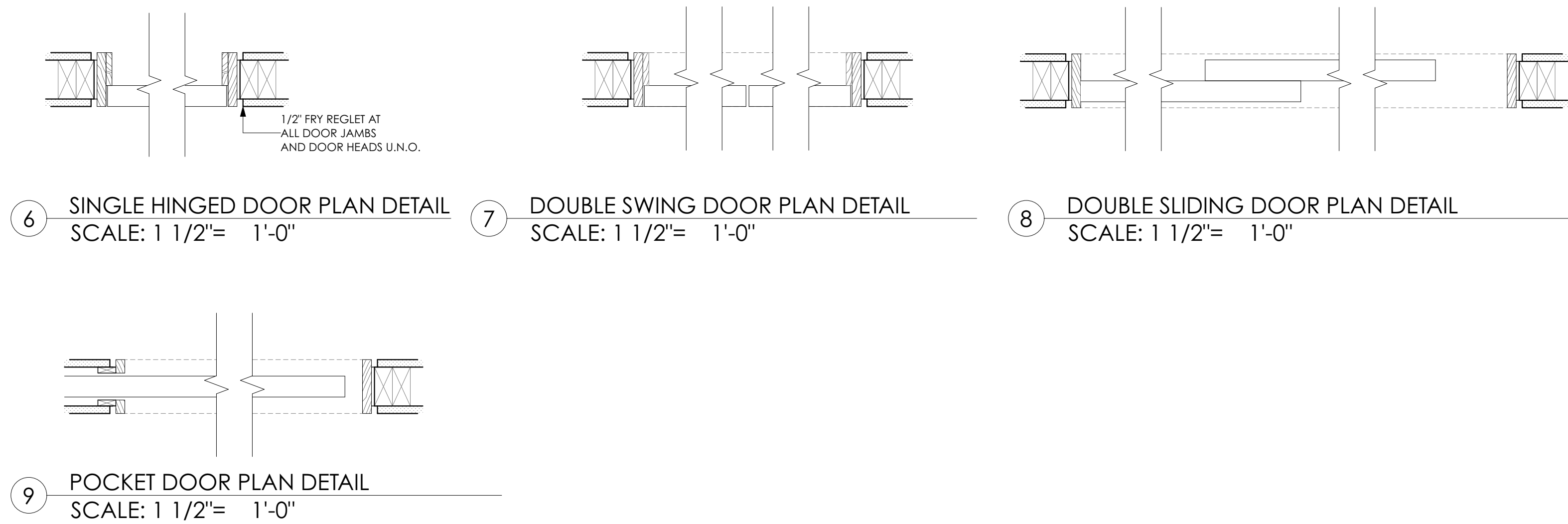
DOOR ELEVATIONS									
Home Story	1ST FLR								
Quantity	1	1	1	1	1	1	1	1	1
Hotlink and Elem...	101A	101B	102A	102B	103	104	105	OHD-1	OHD-2
Elevation View									

2ND FLR										
1	1	1	1	1	1	1	2	1	1	1
201	202	204A	206A	206B	207	207A	204B	302	302A	302B

3RD FLR								
1	1	1	1	1	1	1	1	1
302C	302D	302E	303	303A	304	304A	305	305B

4TH FLR				
1	1	1	1	2
403A	404A	405	406	404B

DOOR SCHEDULE							
Home Story	ID	DISCRPTION	QUANTITY	WIDTH	HEIGHT	FIRE RATING	DOOR MATERIAL
1ST FLR							
	101A	MUDROOM FROM GARAGE	1	3'-0"	8'-0"	-	
	101B	MUDROOM FROM GARAGE	1	3'-0"	8'-6 1/2"	20 MIN	WOOD/ GLASS
	102A	TENANT ENTRY	1	3'-0"	7'-3"	-	WOOD/ GLASS
	102B	TENANT MUDROOM FROM GARAGE	1	3'-0"	8'-6 1/2"	20 MIN	WOOD/ GLASS
	103	GARAGE TO BACK YARD	1	3'-0"	7'-10 1/2"	-	METAL/GLASS
	104	SPRINKLER ROOM	1	2'-0"	8'-0"	-	SCWD
	105	MECHANICAL ROOM	1	2'-10"	6'-11"	-	SCWD
	OHD-1	MAIN GARAGE DOOR	1	10'-11 1/2"	8'-0"	-	METAL/ GLASS
	OHD-2	SECONDARY GARAGE DOOR	1	14'-6"	7'-10 1/2"	-	METAL/ GLASS
2ND FLR							
	201	ENTRY CLOSET	1	4'-0"	8'-0"	-	SCWD
	202	BROOM CLOSET	1	2'-0"	8'-0"	-	SCWD
	204A	MASTER BEDROOM ENTRY	1	2'-10"	8'-0"	-	SCWD
	204B	MASTER BATHROOM	1	3'-0"	8'-0"	-	SCWD
	204B	MASTER CLOSET	1	3'-0"	8'-0"	-	SCWD
	206A	BEDROOM 2 ENTRY	1	2'-10"	8'-0"	-	SCWD
	206B	BEDROOM 2 CLOSET	1	3'-0"	8'-0"	-	SCWD
	207	GUEST BATHROOM	1	2'-10"	8'-0"	-	SCWD
	207A	LAUNDRY ROOM	1	2'-10"	8'-0"	-	SCWD
3RD FLR							
	302	MASTER ENTRY HALL	1	2'-10"	8'-0"	-	SCWD
	302A	MASTER BEDROOM ENTRY	1	3'-0"	8'-0"	-	SCWD
	302B	MASTER BATHROOM	1	3'-0"	8'-0"	-	SCWD
	302C	WATER CLOSET	1	2'-6"	8'-0"	-	SCWD
	302D	MASTER CLOSET	1	3'-0"	8'-0"	-	SCWD
	302E	EXERCISE	1	2'-10"	8'-0"	-	SCWD
	303	BEDROOM 2 ENTRY	1	3'-6 1/2"	8'-0"	-	SCWD
	303A	BATHROOM 2	1	2'-10"	8'-0"	-	SCWD
	304	BEDROOM 3 ENTRY	1	2'-10"	8'-0"	-	SCWD
	304A	BATHROOM 3	1	2'-10"	8'-0"	-	SCWD
	305	LAUNDRY ROOM	1	4'-0"	8'-0"	-	SCWD
	305B	HALL DOOR TO BEDROOM 3	1	3'-5"	8'-0"	-	SCWD
4TH FLR							
	403A	DOOR TO EXTERIOR LIVING	1	8'-0"	9'-6"	-	METAL/ GLASS
	404A	OFFICE	1	2'-10"	9'-1 1/2"	-	SCWD
	404B	OFFICE DECK	1	3'-0"	9'-7 1/2"	-	WOOD/ GLASS
	404B	OFFICE DECK	1	3'-0"	9'-7 1/2"	-	WOOD/ GLASS
	405	PANTRY	1	2'-6"	8'-0"	-	SCWD
	406	POWDER ROOM	1	2'-6"	8'-0"	-	SCWD



6 SINGLE HINGED DOOR PLAN DETAIL  
SCALE: 1 1/2" = 1'-0"

7 DOUBLE SWING DOOR PLAN DETAIL  
SCALE: 1 1/2" = 1'-0"

8 DOUBLE SLIDING DOOR PLAN DETAIL  
SCALE: 1 1/2" = 1'-0"

9 POCKET DOOR PLAN DETAIL  
SCALE: 1 1/2" = 1'-0"

**PRELIMINARY**  
NOT FOR CONSTRUCTION