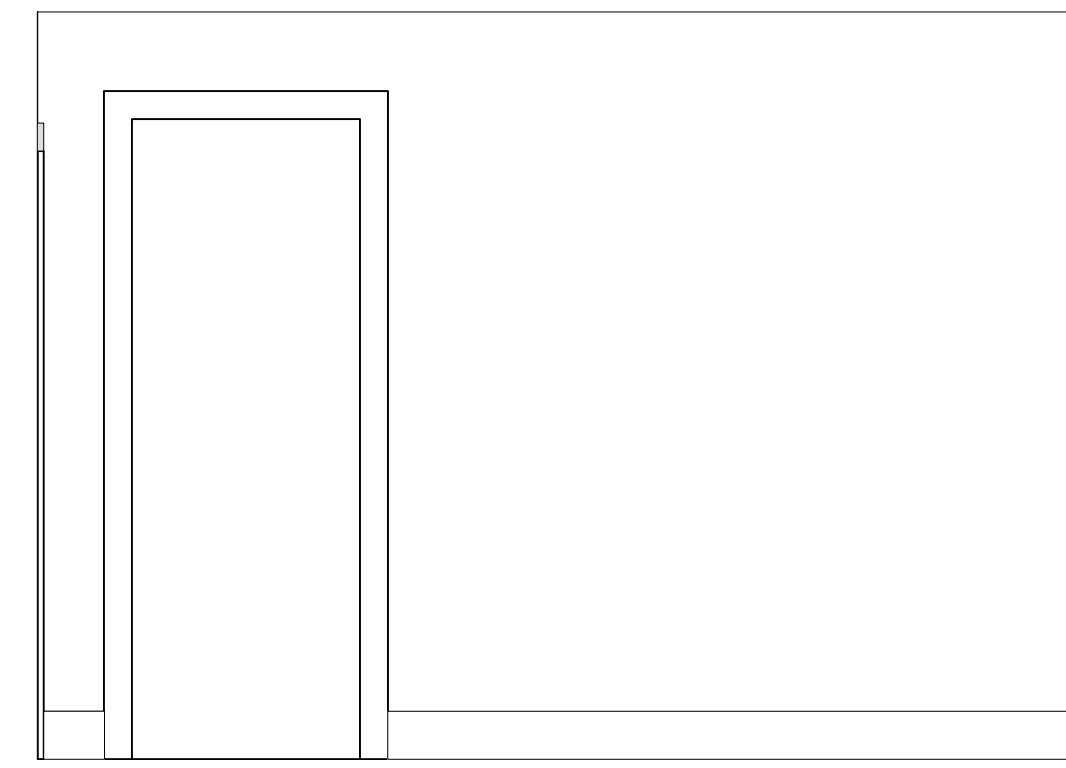


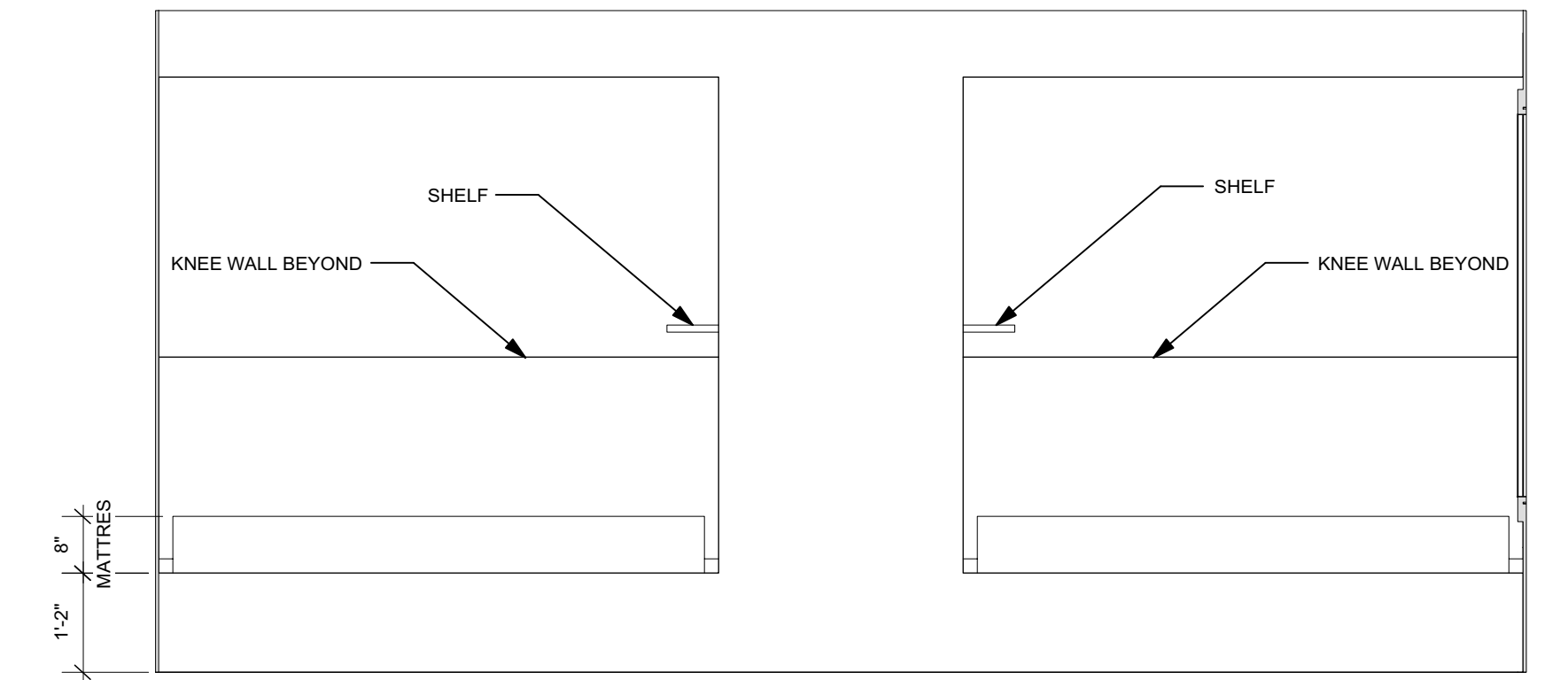
1 GUEST BEDROOM WINDOWS
Scale: 1/2" = 1'-0"



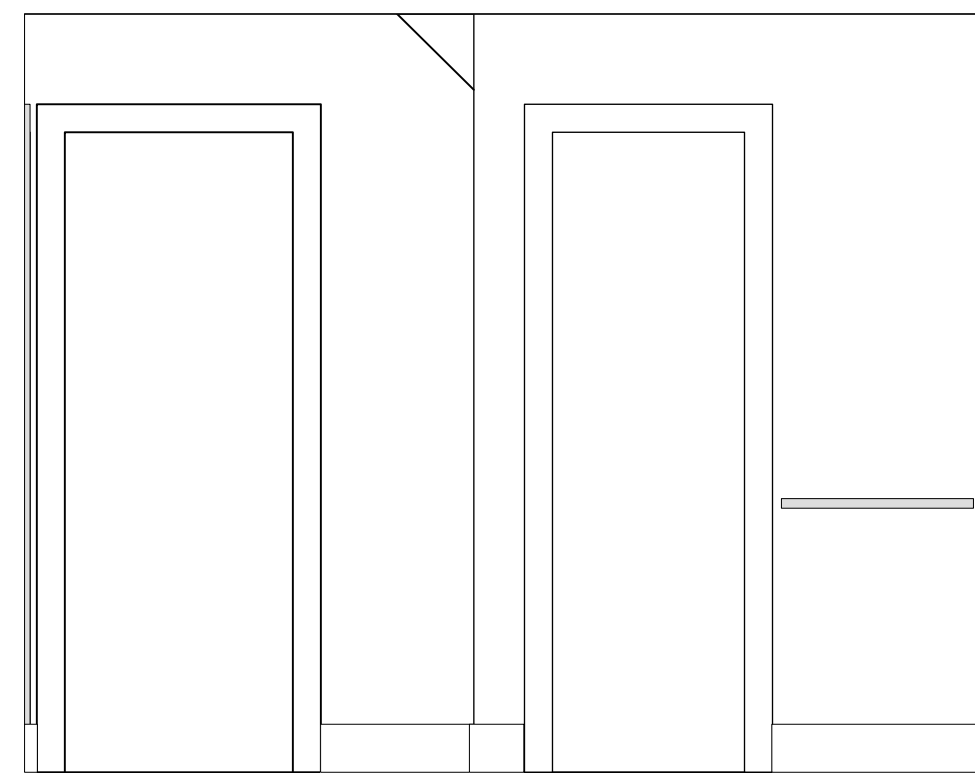
2 GUEST BEDROOM STORAGE
Scale: 1/2" = 1'-0"



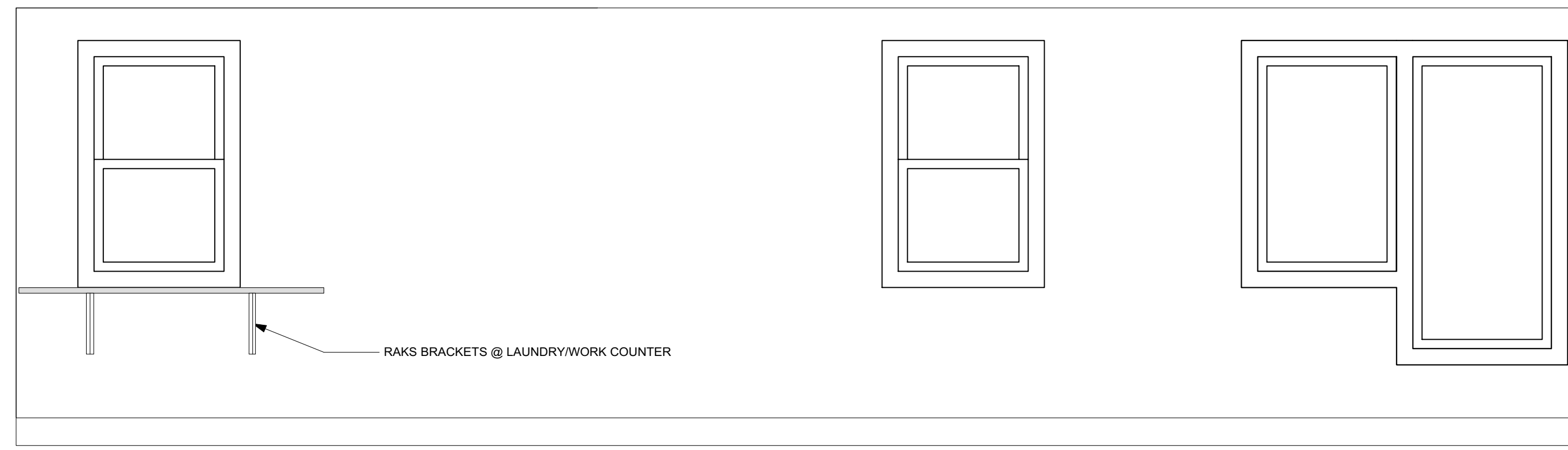
3 GUEST BEDROOM ENTRY
Scale: 1/2" = 1'-0"



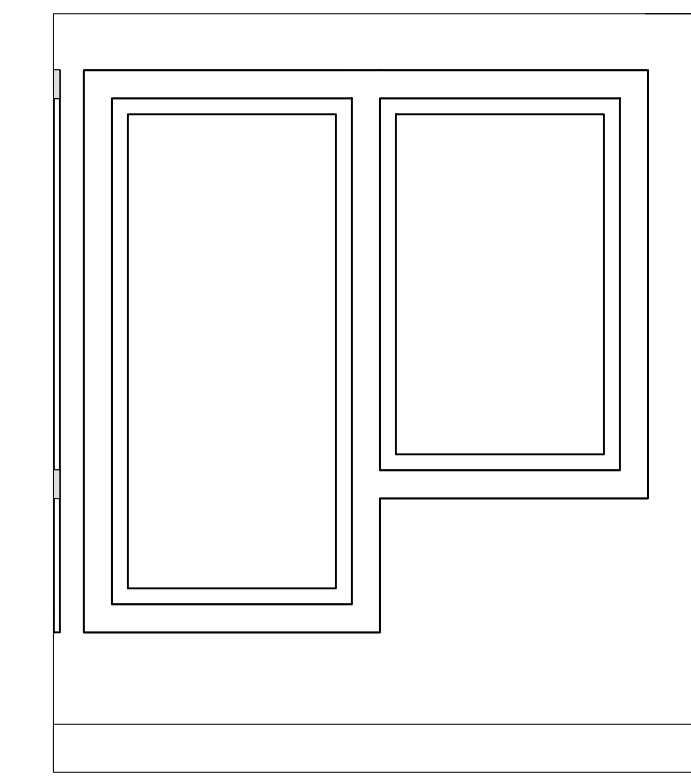
4 GUEST BEDROOM BUILT-IN BUNKS
Scale: 1/2" = 1'-0"



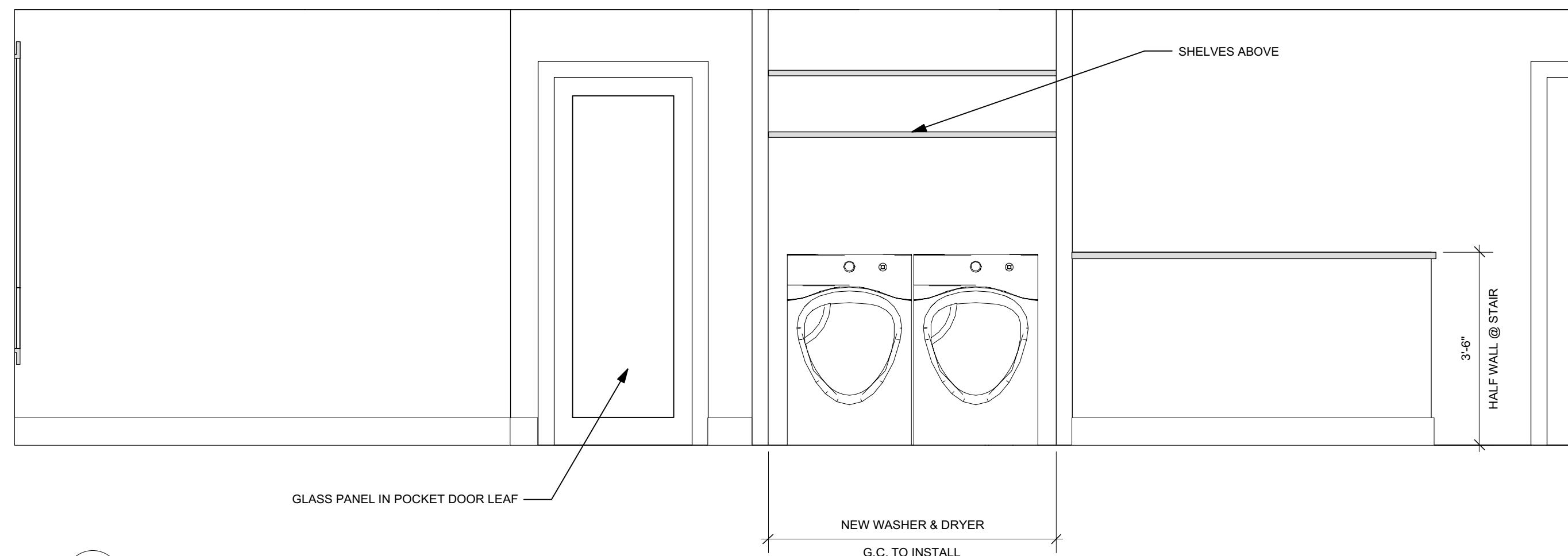
5 LANDING
Scale: 1/2" = 1'-0"



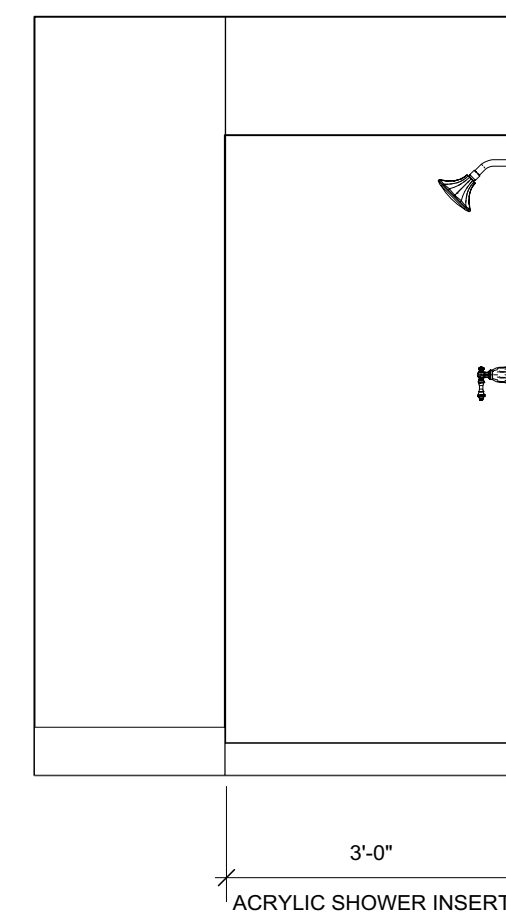
6 HALLWAY
Scale: 1/2" = 1'-0"



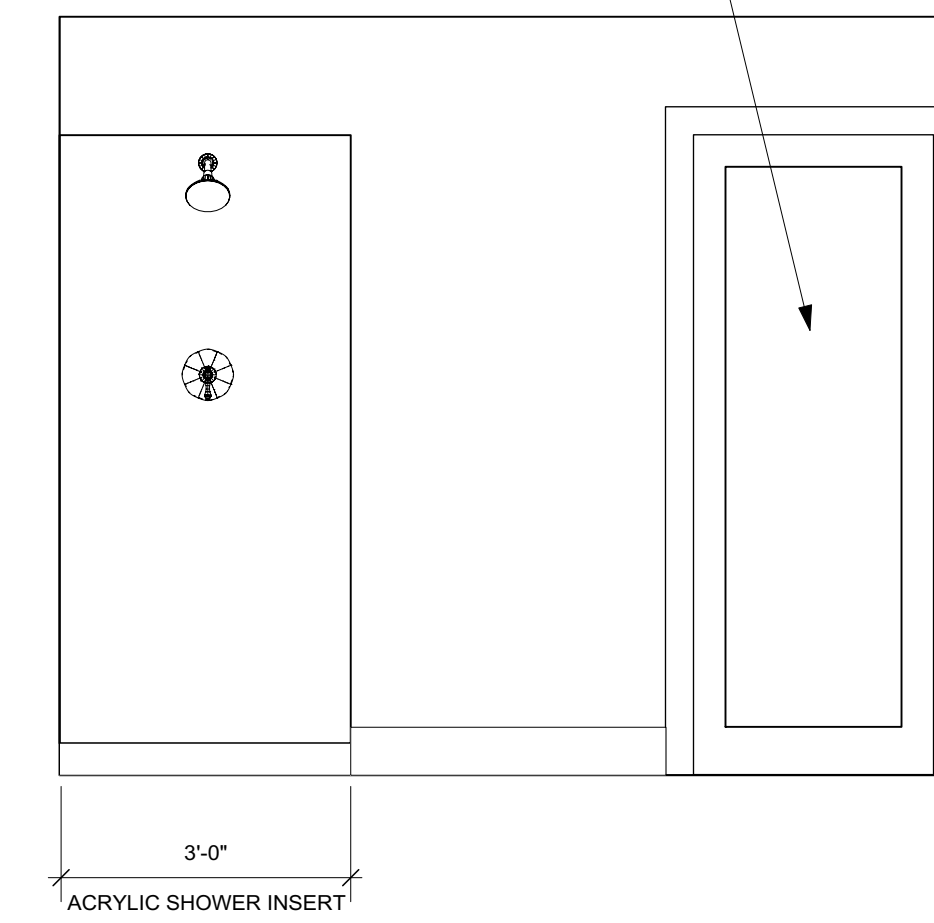
7 SITTING AREA
Scale: 1/2" = 1'-0"



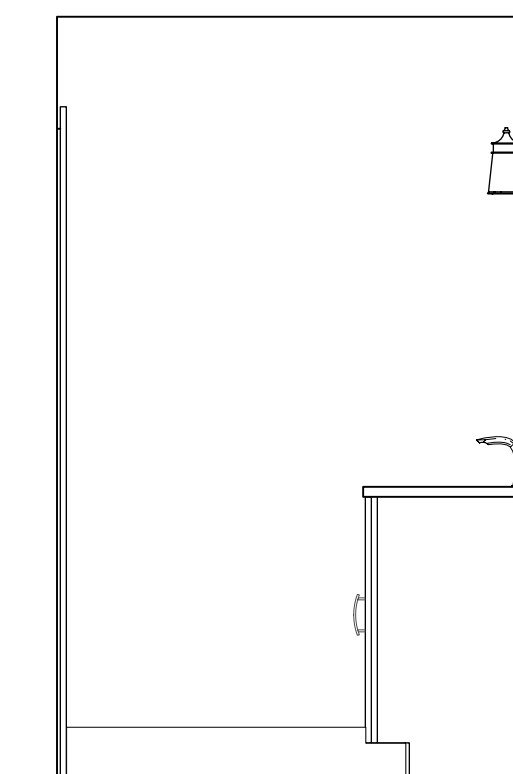
8 HALLWAY
Scale: 1/2" = 1'-0"



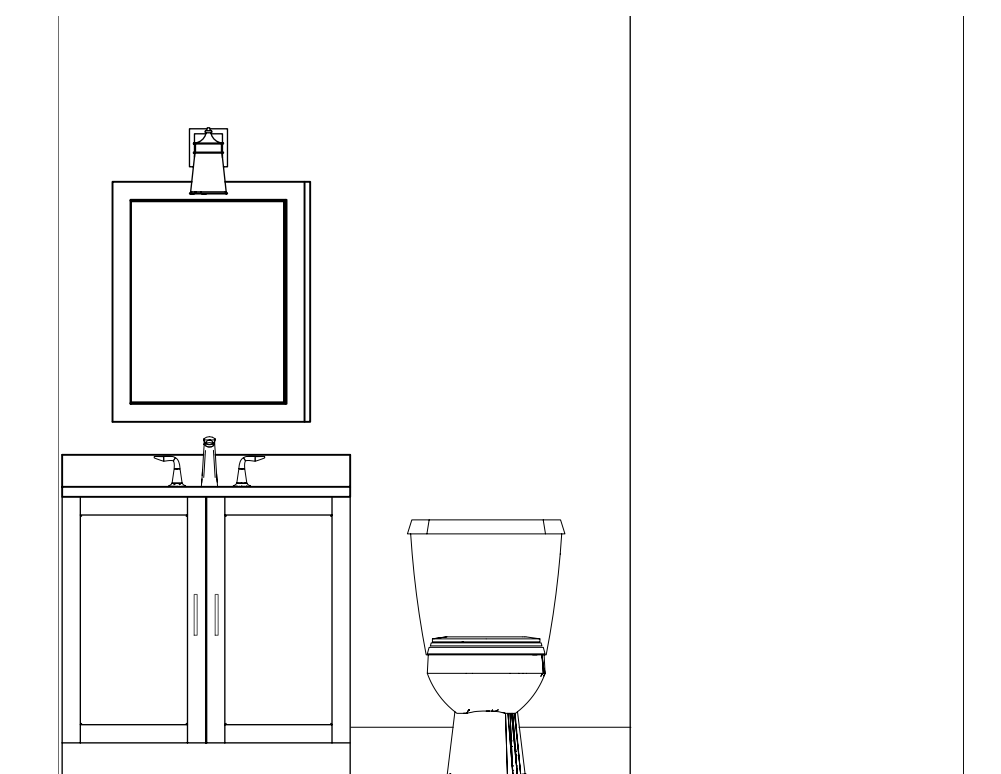
9 GUEST SHOWER
Scale: 1/2" = 1'-0"



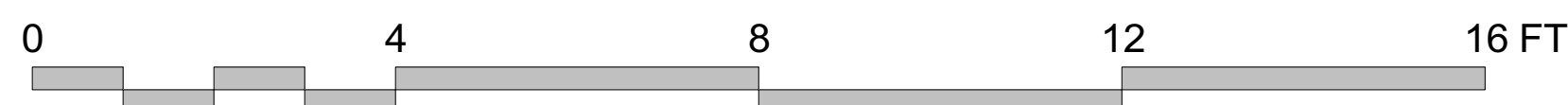
10 GUEST BATH
Scale: 1/2" = 1'-0"



11 GUEST BATH
Scale: 1/2" = 1'-0"



12 GUEST VANITY
Scale: 1/2" = 1'-0"



PERMIT SET

			Design Firm RESIDENTIAL DESIGN STUDIO, LLC Carol A. Marrisette 21 Chestnut Street, Suite 506 Portland, Maine 04101 T 207.699.4184 C 207.671.7965	Project Title COOPER RESIDENCE 81 MORNING STREET PORTLAND, MAINE	Sheet Status PERMIT SET
			Revisions 1 . 2 . 3 .	Sheet Title INTERIOR ELEVATIONS	Project Number 16.98
			Sheet Scale 1/4" = 1'-0" UNO	CAD File Number COOPER 170831	A4.2