

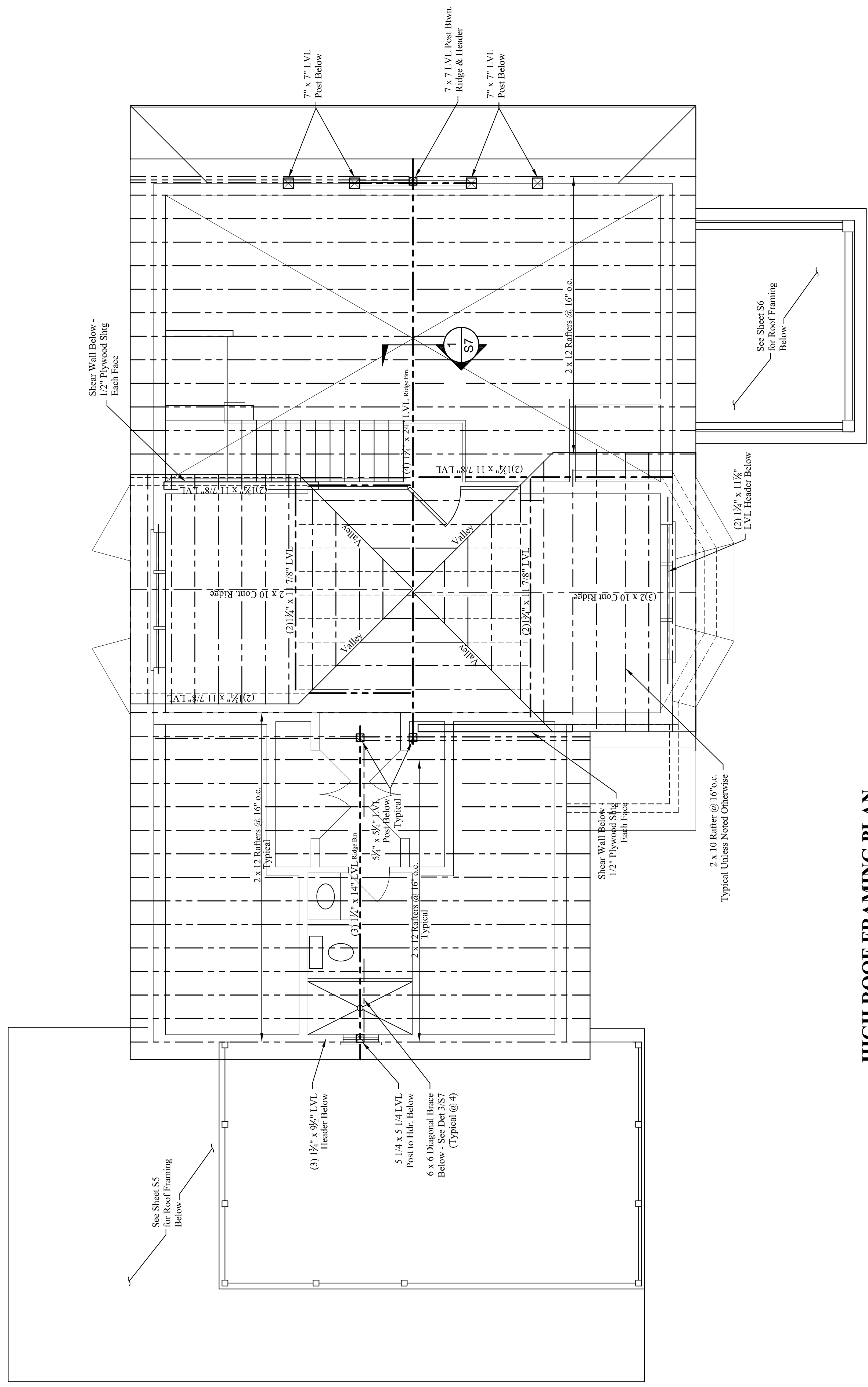
DESIGNED BY:  
 Larry A. Wichroski, P.E.

DRAWN BY:  
 LAW

JOB #:  
 08114

DATE:  
 10-26-2015

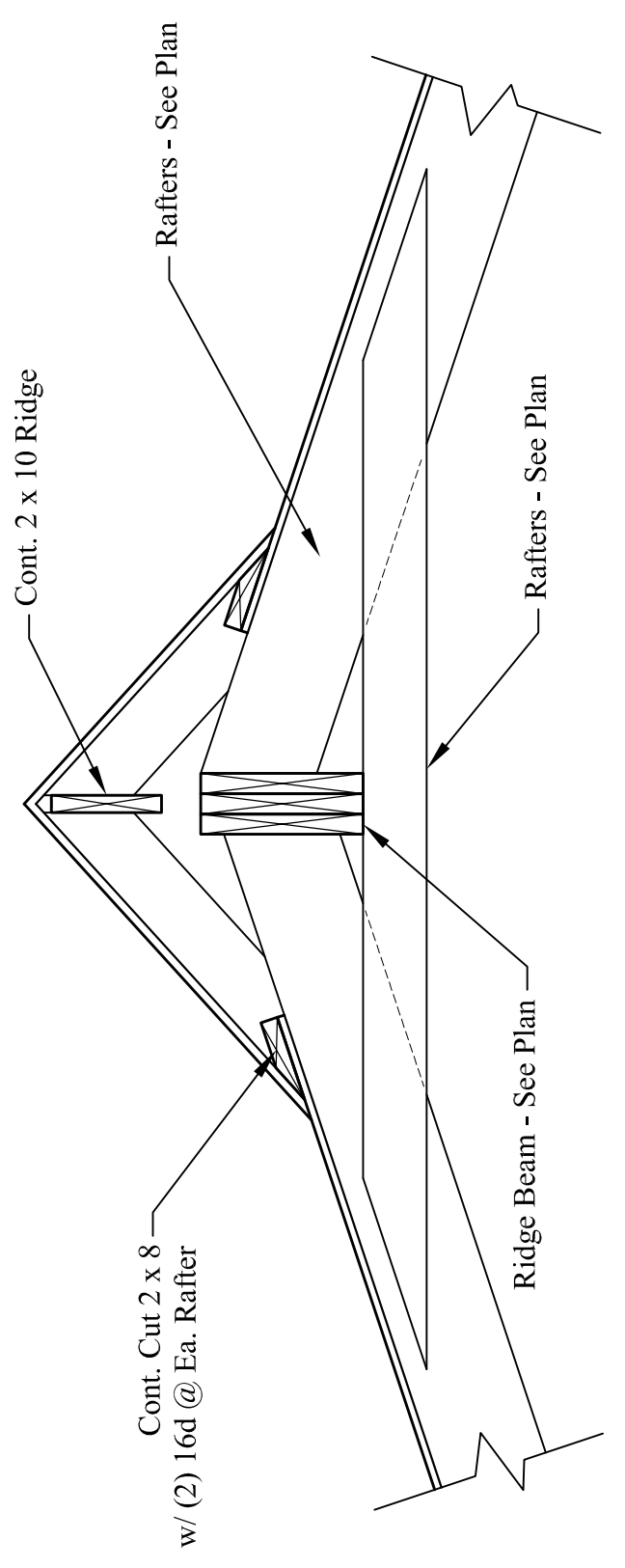
REVISIONS:  
 12-16-2017



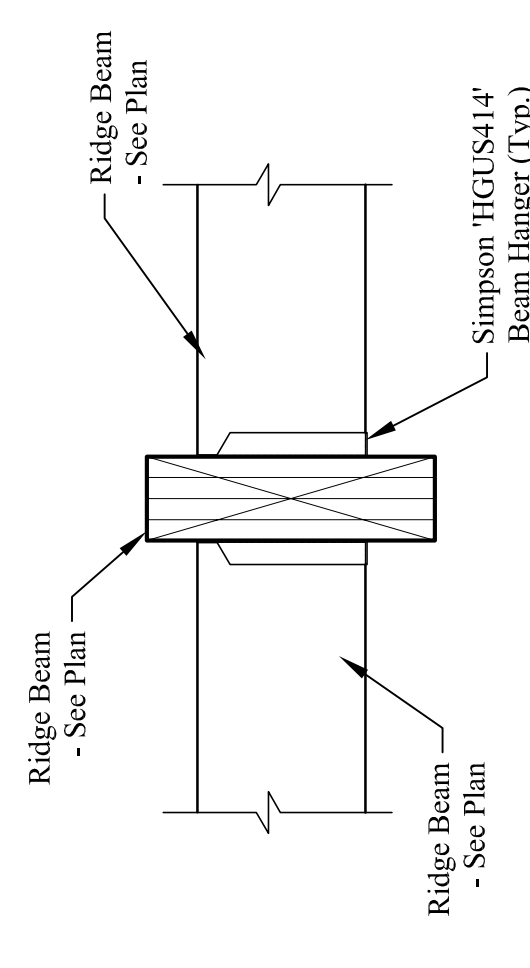
**ROOF FRAMING NOTES:**

- See structural notes sheet S1.
- Provide (2) 2 x 10's Headers with 2" rigid insulation between at all openings unless noted other wise.
- Build-up beams shall be spliced together w/ 3 rows of 16d nails @ 12" o.c
- Provide metal hangers at all connections.
- See structural notes sheet S1 for details on connections, openings and openings.
- Sister existing rafters only at location shown.

**HIGH ROOF FRAMING PLAN**  
 Scale: 3/4" = 1'-0"



**1 RAFTERS TO RIDGE BEAM CONN.**  
 Scale: 3/4" = 1'-0"  
 S6



**2 RIDGE BEAM TO RIDGE BEAM CONN.**  
 Scale: 3/4" = 1'-0"  
 S6