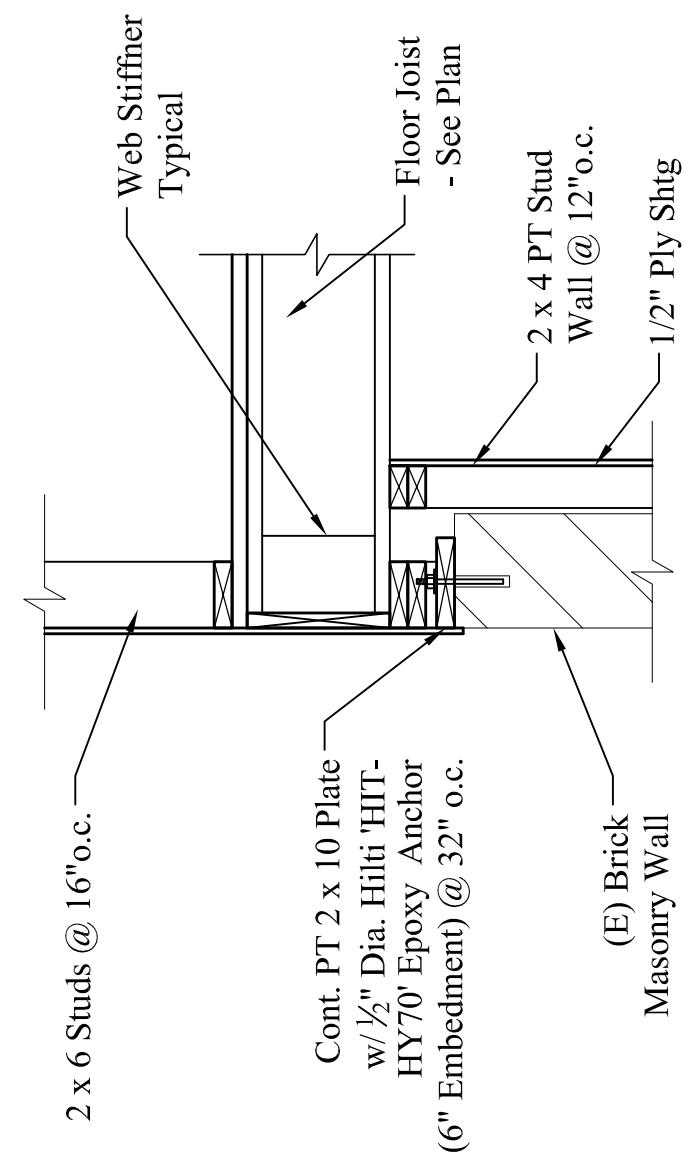
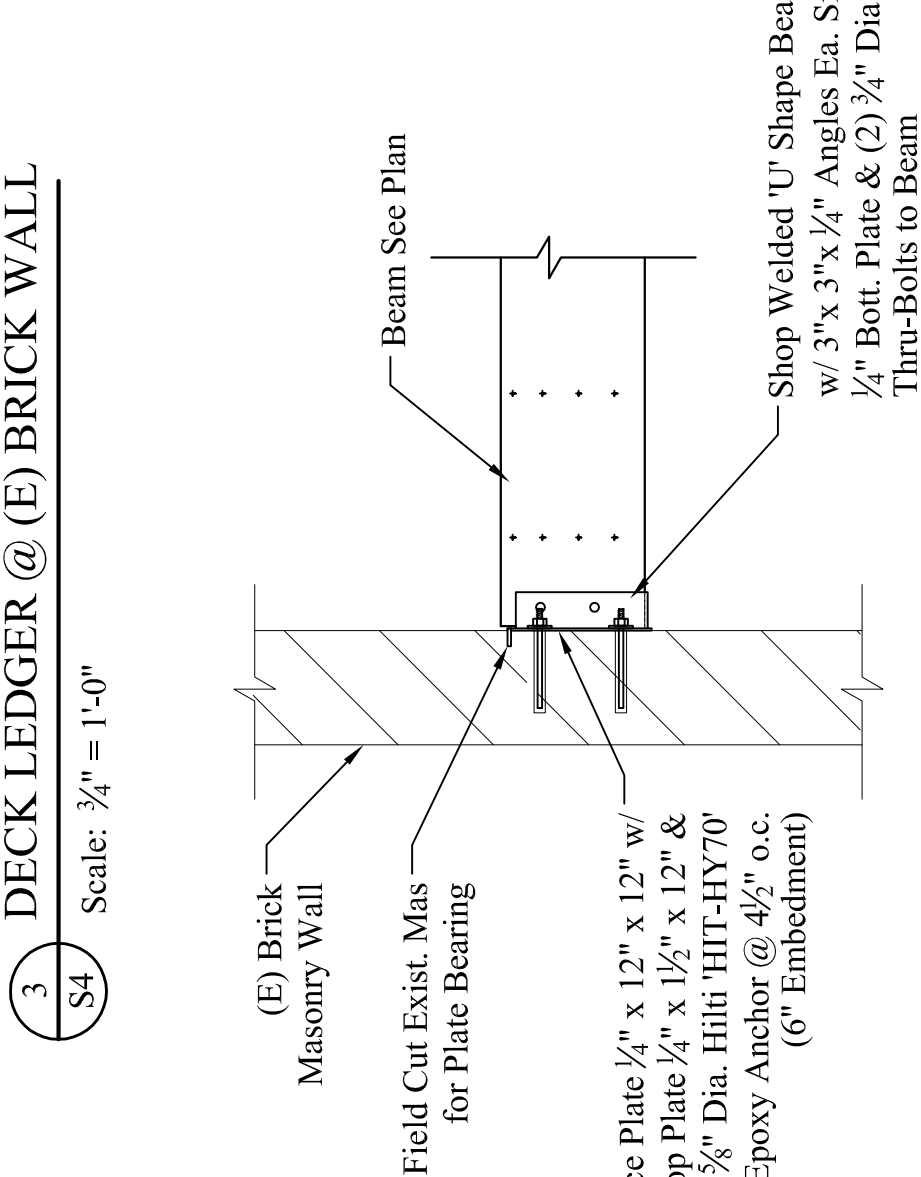
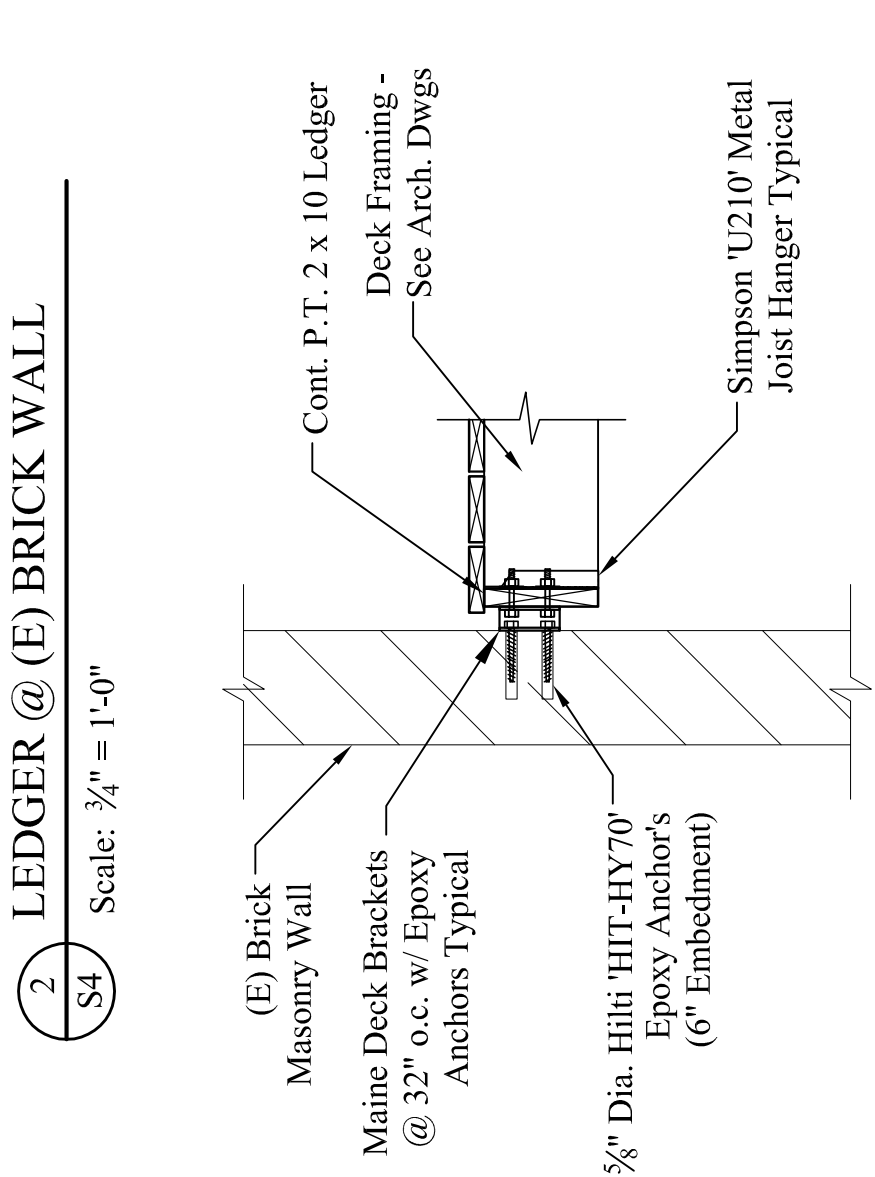
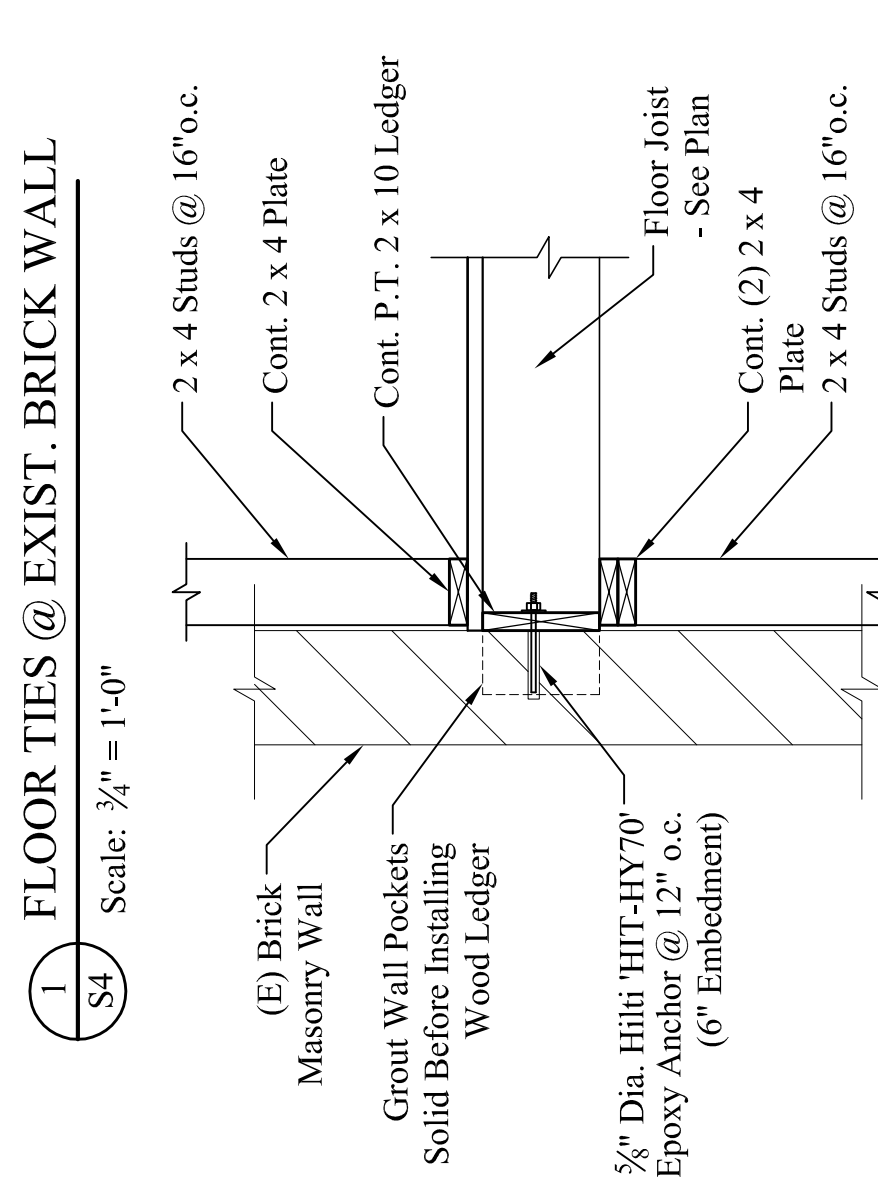
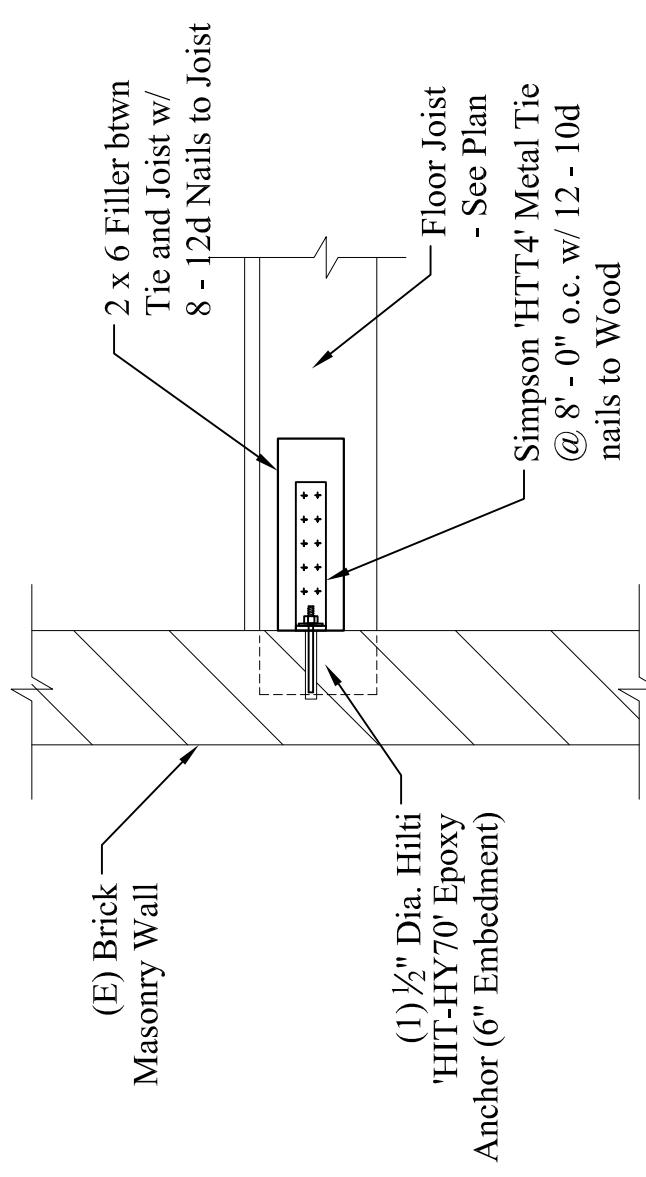


- FLOOR FRAMING NOTES:**
1. See structural notes sheet S3.
 2. Provide (2) 1/2" x 9/16" headers with 2" rigid insulation between at all openings. Joists are noted other wise.
 3. Built-up beams shall be spiked together w/ 3 rows of 16d nails @ 12" o.c.
 4. Provide metal hangers at all joist connections.
 5. Provide double joists below all upper parallel walls.
 6. Provide solid blocking at mid-span of all joists.
 7. See architectural drawings for all dimensions and openings.
 8. Add solid blocking between floor joists below all posts.

SECOND FLOOR FRAMING PLAN
Scale: 3/4" = 1'-0"



5 FLOOR @ EXIST. BRICK WALL
Scale: 3/4" = 1'-0"