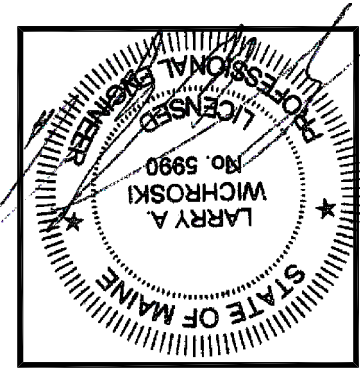


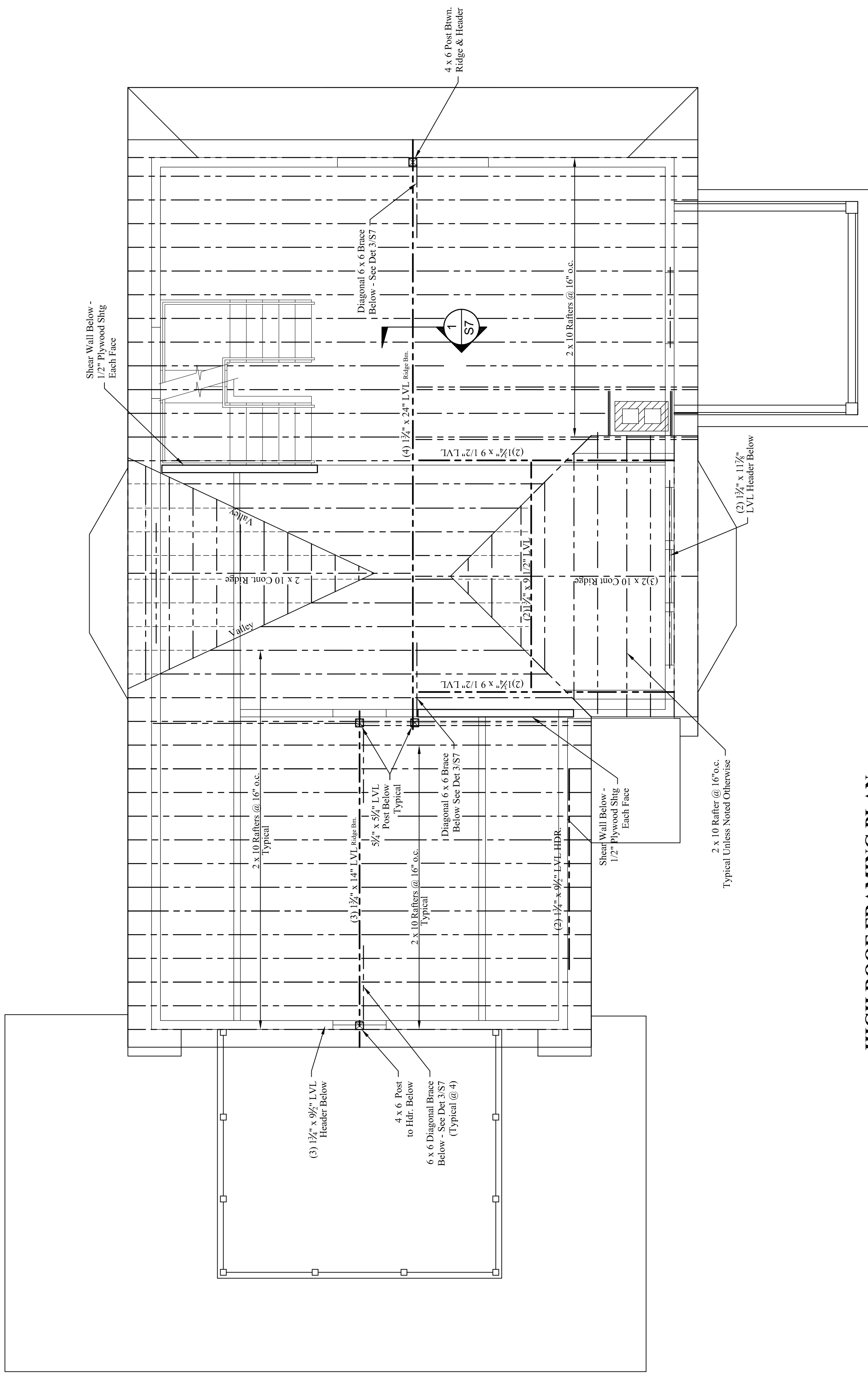


Building Renovations/Addition
162 Eastern Promenade, Portland, Me.
ROOF FRAMING PLAN



DESIGNED BY:	Larry A. Wichroski, P.E.
DRAWN BY:	LAW
JOB #:	08114
DATE:	10 - 26 - 2015

REVISIONS	
△	12-04-2015
△	05-05-2017
SHEET:	S7 of 7

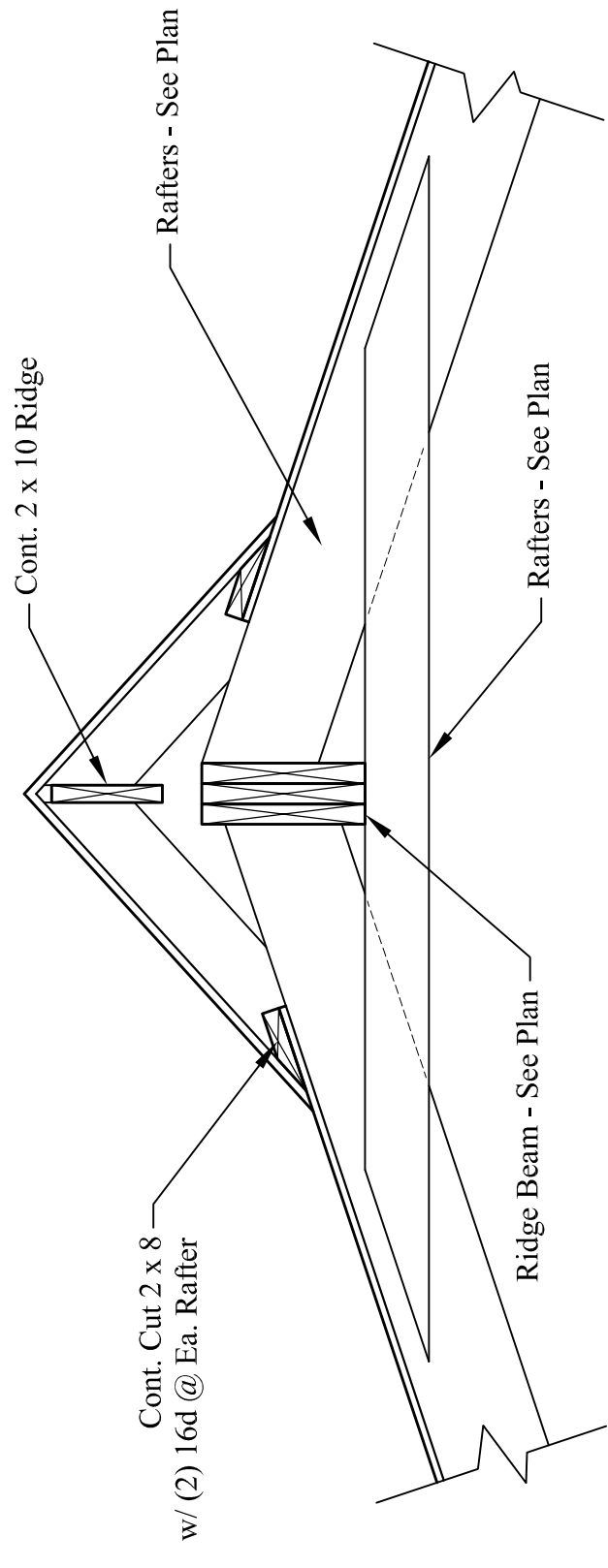


HIGH ROOF FRAMING PLAN

Scale: 3/4" = 1'-0"

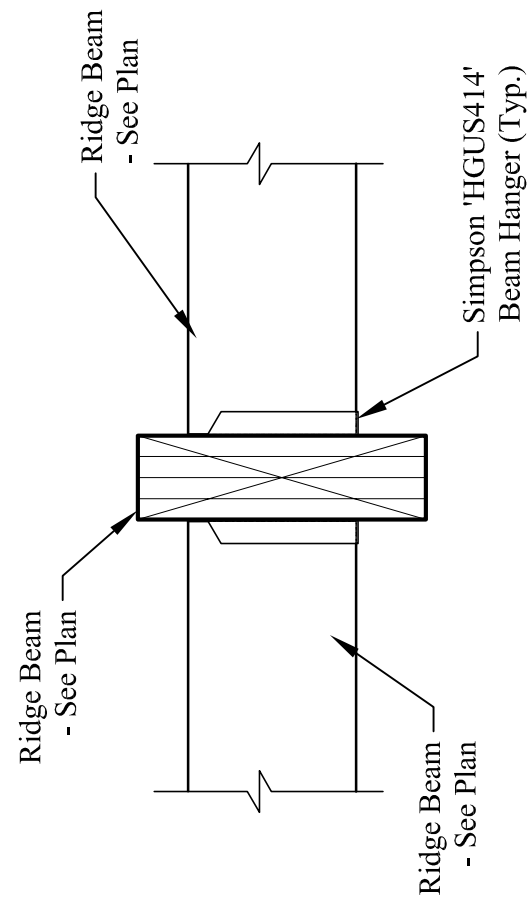
ROOF FRAMING NOTES:

- See structural notes sheet S1.
- Provide (2) 2 x 10's Headers with 2" rigid insulation between at all openings unless noted other wise.
- Butt-joint beams shall be spliced together w/ 3 rows of 16d nails @ 12" o.c.
- Provide metal hangers at all connections.
- See structural notes sheet S1 for details of connections and openings.
- Sister existing rafters only at location shown.



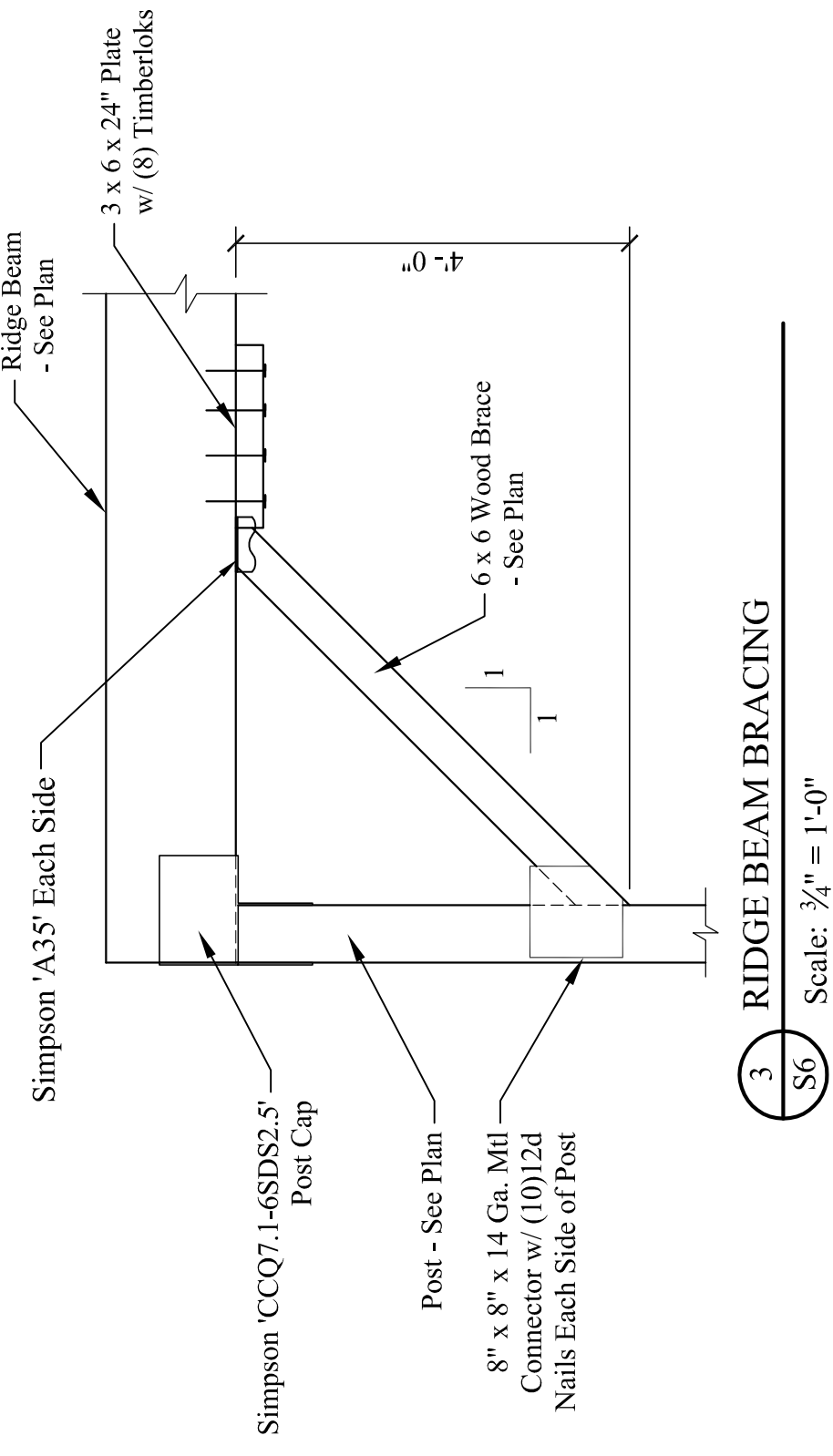
1 RAFTERS TO RIDGE BEAM CONN.

Scale: 3/4" = 1'-0"



2 RIDGE BEAM TO RIDGE BEAM CONN.

Scale: 3/4" = 1'-0"



3 RIDGE BEAM BRACING

Scale: 3/4" = 1'-0"