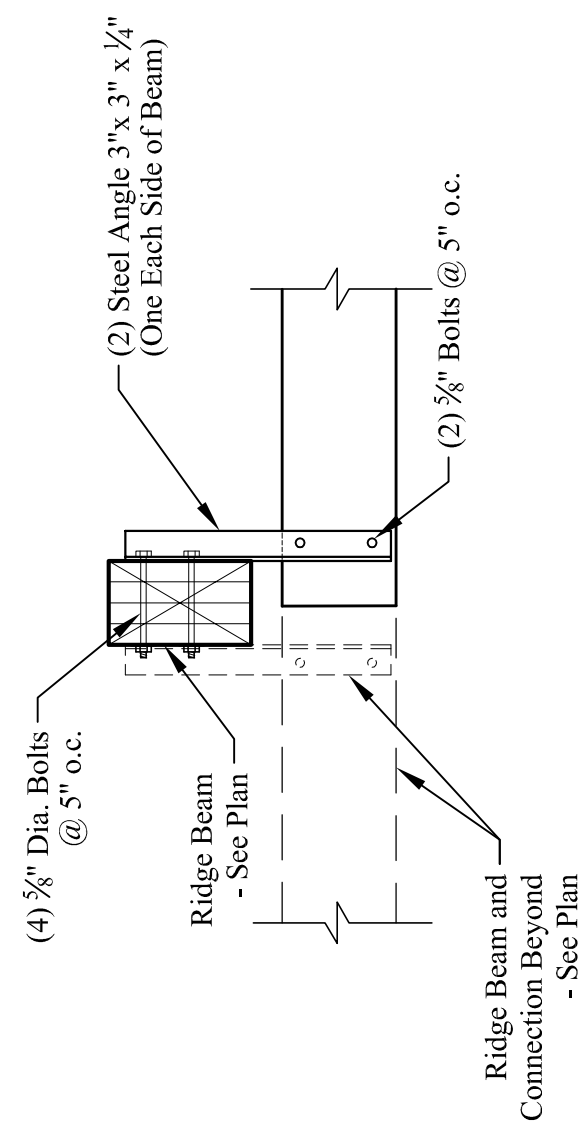
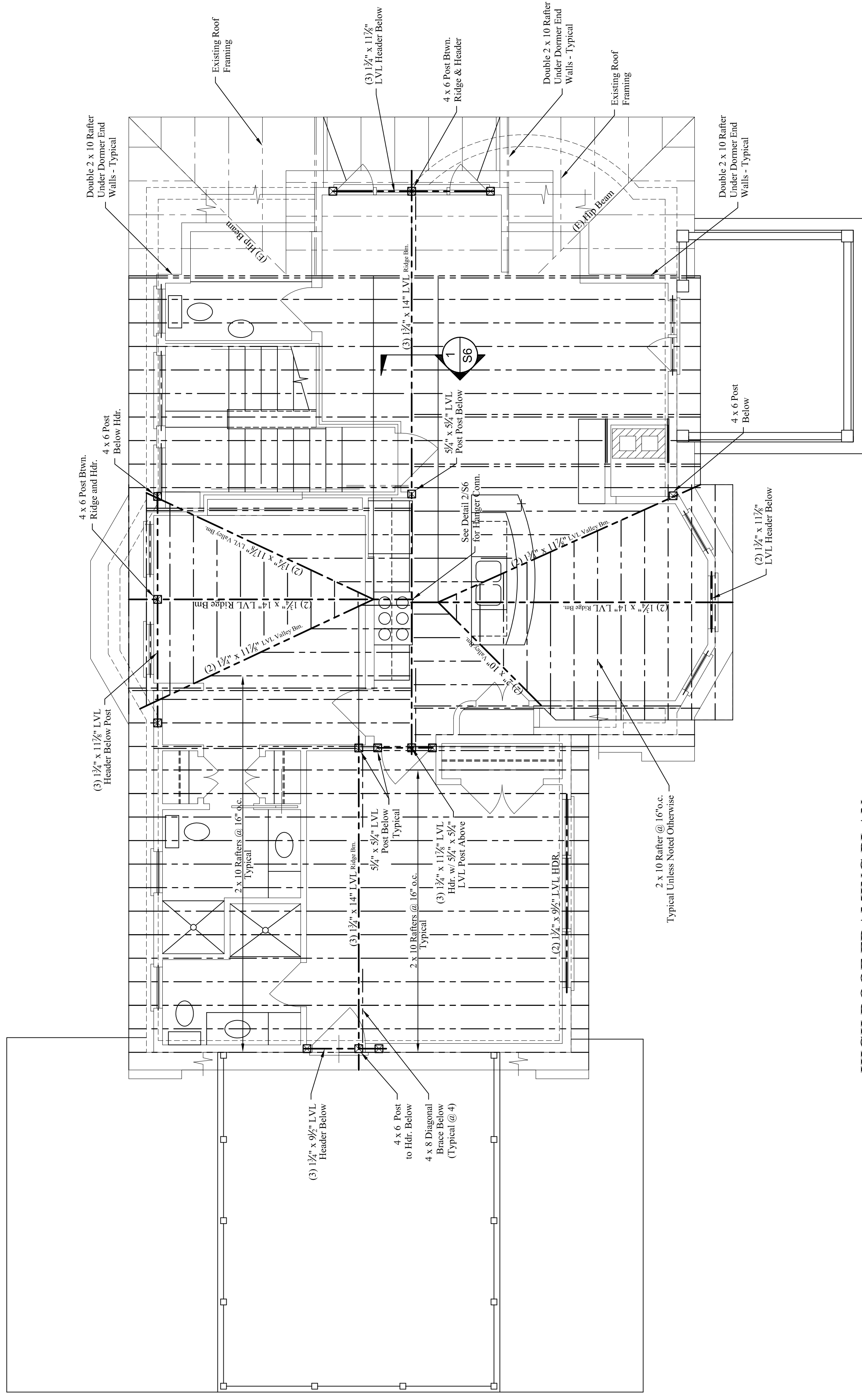


1  
S6  
RAFTERS TO RIDGE BEAM CONN.  
Scale:  $\frac{3}{4}" = 1'-0"$



2  
S6  
RIDGE BEAM TO RIDGE BEAM CONN.  
Scale:  $\frac{3}{4}" = 1'-0"$

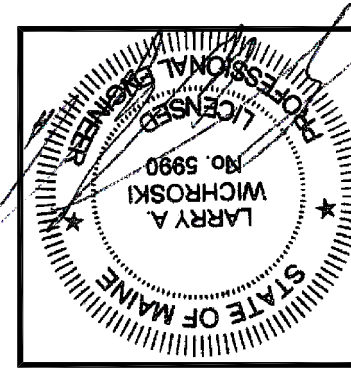


HIGH ROOF FRAMING PLAN

Scale:  $\frac{3}{4}" = 1'-0"$

ROOF FRAMING NOTES:

1. See structural notes sheet S1.
2. Provide (2) 2 x 10's Headers with 2" rigid insulation between at all openings unless noted other wise.
3. Built-up beams shall be spliced together w/ 3 rows of 16d nails @ 12" o.c.
4. Provide metal ladders at all connections.
5. Sister existing rafters only at location shown.
6. Sister existing rafters only at location shown.



DESIGNED BY: Larry A. Wichroski, P.E.
DRAWN BY: LAW
JOB #: 08114
DATE: 10-26-2015

REVISIONS
12-04-2015