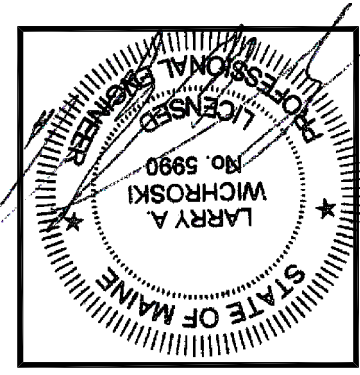




THIRD FLOOR FRAMING PLAN

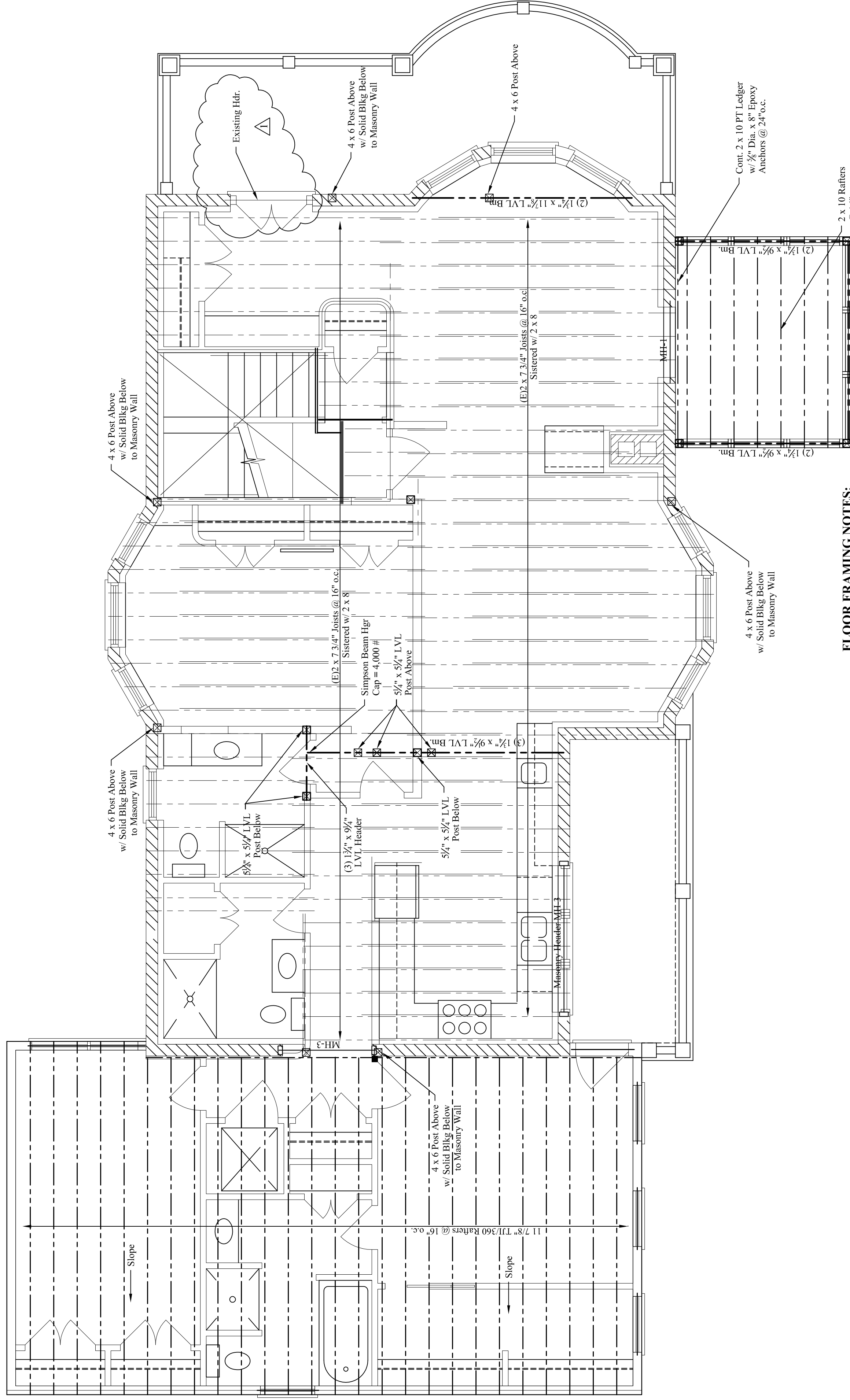
Building Renovations/Addition
 162 Eastern Promenade, Portland, Me.

PROJECT: _____
 DRAWING: _____



DESIGNED BY:	Larry A. Wichroski, P.E.
DRAWN BY:	LAW
JOB #:	08114
DATE:	10-26-2015

REVISIONS	
△	12-04-2015

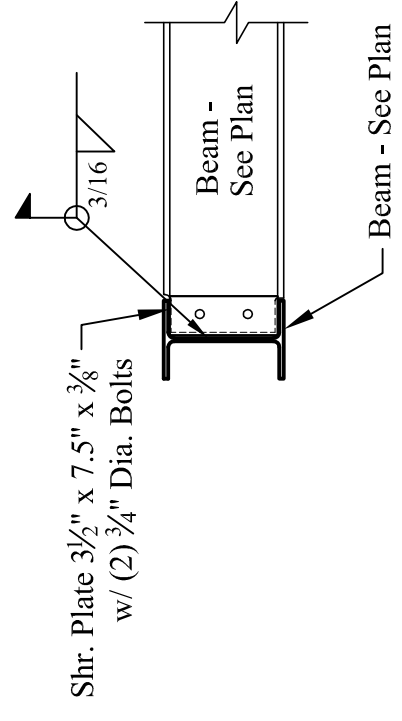


FLOOR FRAMING NOTES:

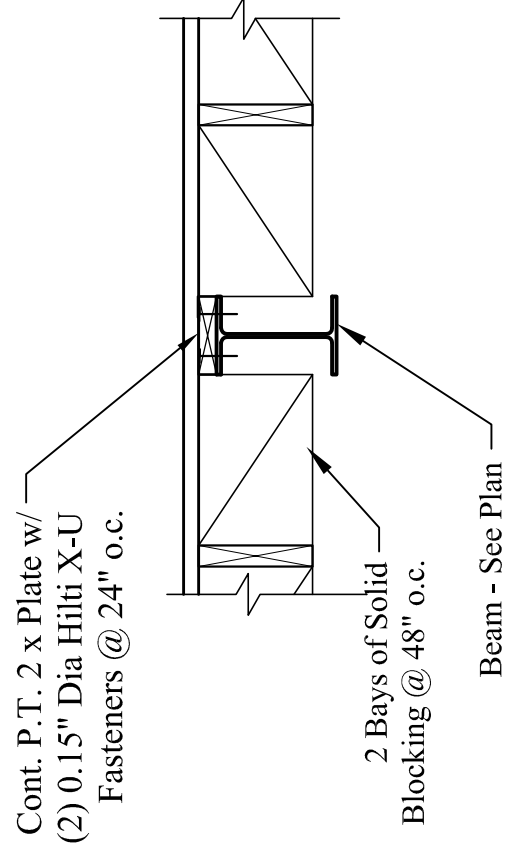
1. See structural notes sheet S1.
2. Provide (2) 1 1/2" x 8" LVL Headers with 2" rigid insulation between at all built-up beams shall be spiked together w/ 3 rows of 16d nails @ 12" o.c.
3. Provide metal hangers at all joist connections.
4. Provide double joists below all upper parallel walls
5. Provide solid blocking at mid-span of all joists.
6. See architectural drawings for all dimensions and openings.
7. Add solid blocking between floor joists below all posts.
- 8.

THIRD FLOOR FRAMING PLAN

Scale: 3/4" = 1'-0"



1 STL. BEAM to STL. BEAM CONN.
 Scale: 3/4" = 1'-0"



2 WOOD BM. to STL BEAM CONN.
 Scale: 3/4" = 1'-0"