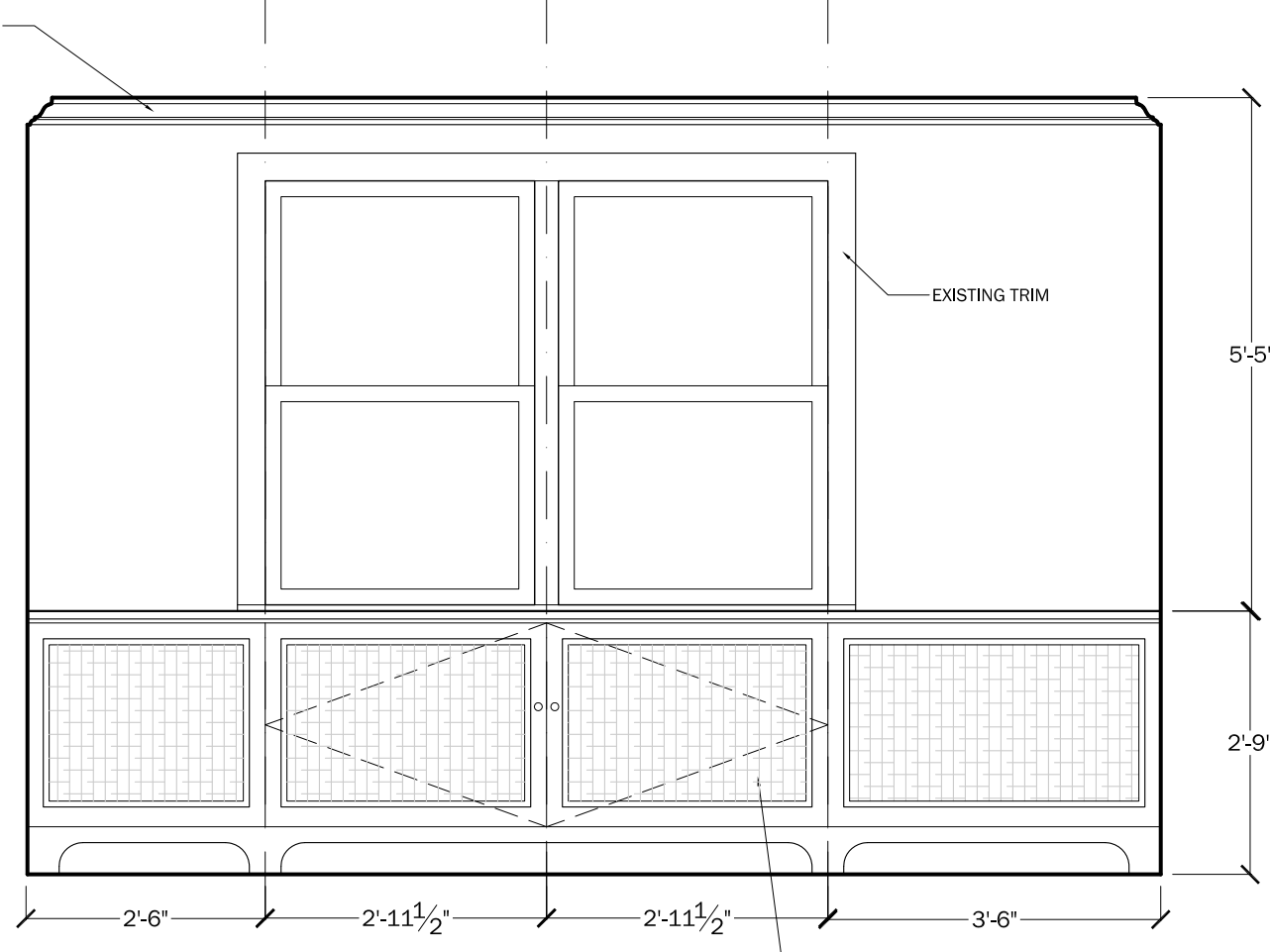
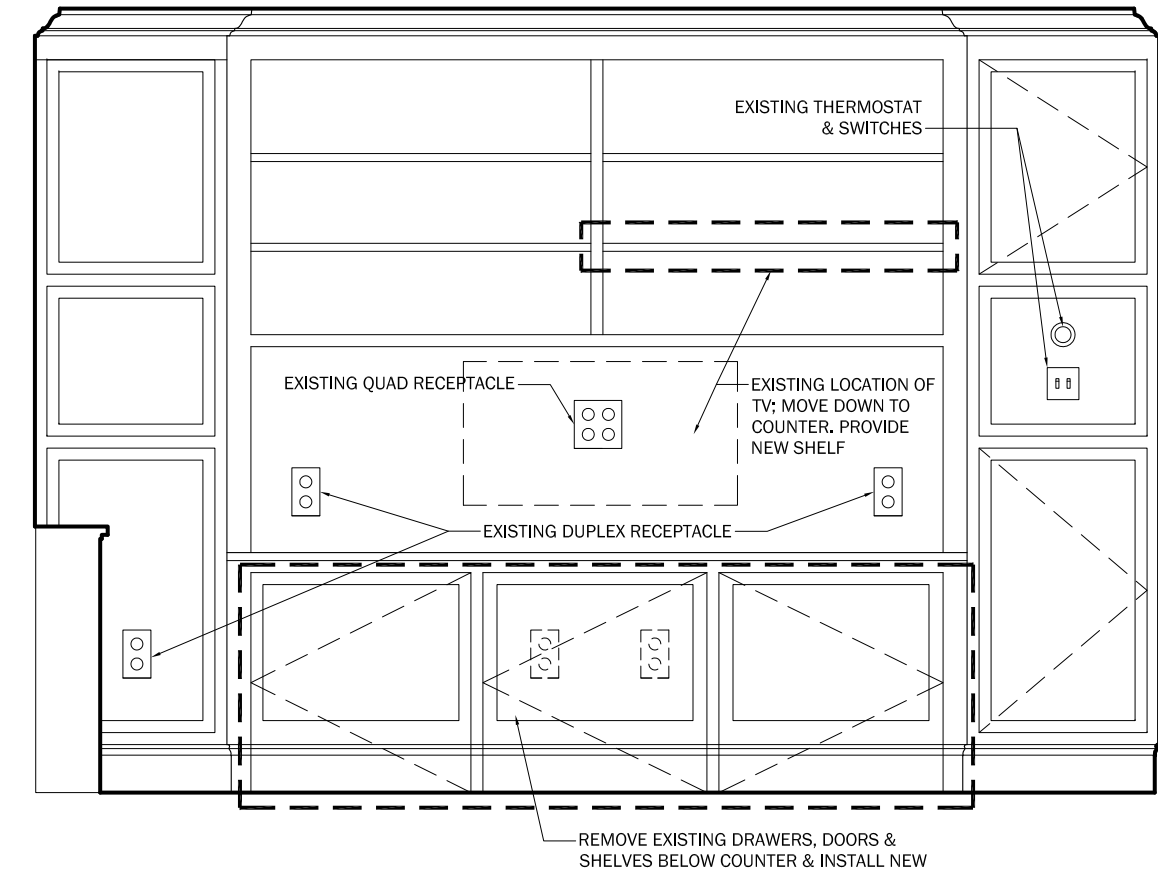


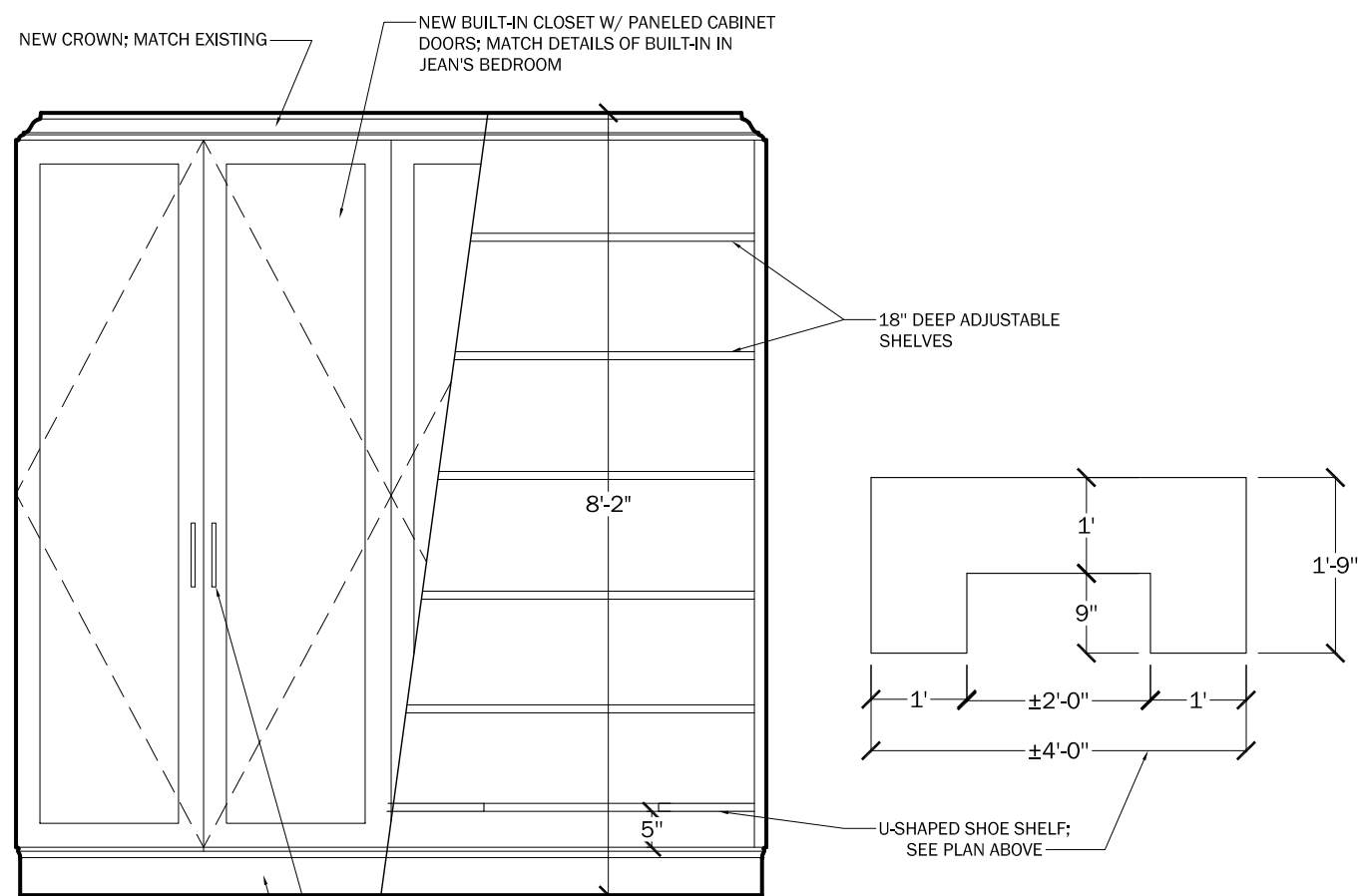
1 JEAN'S BR - EAST
1/2" = 1'-0"



2 JEAN'S BR - SOUTH
1/2" = 1'-0"

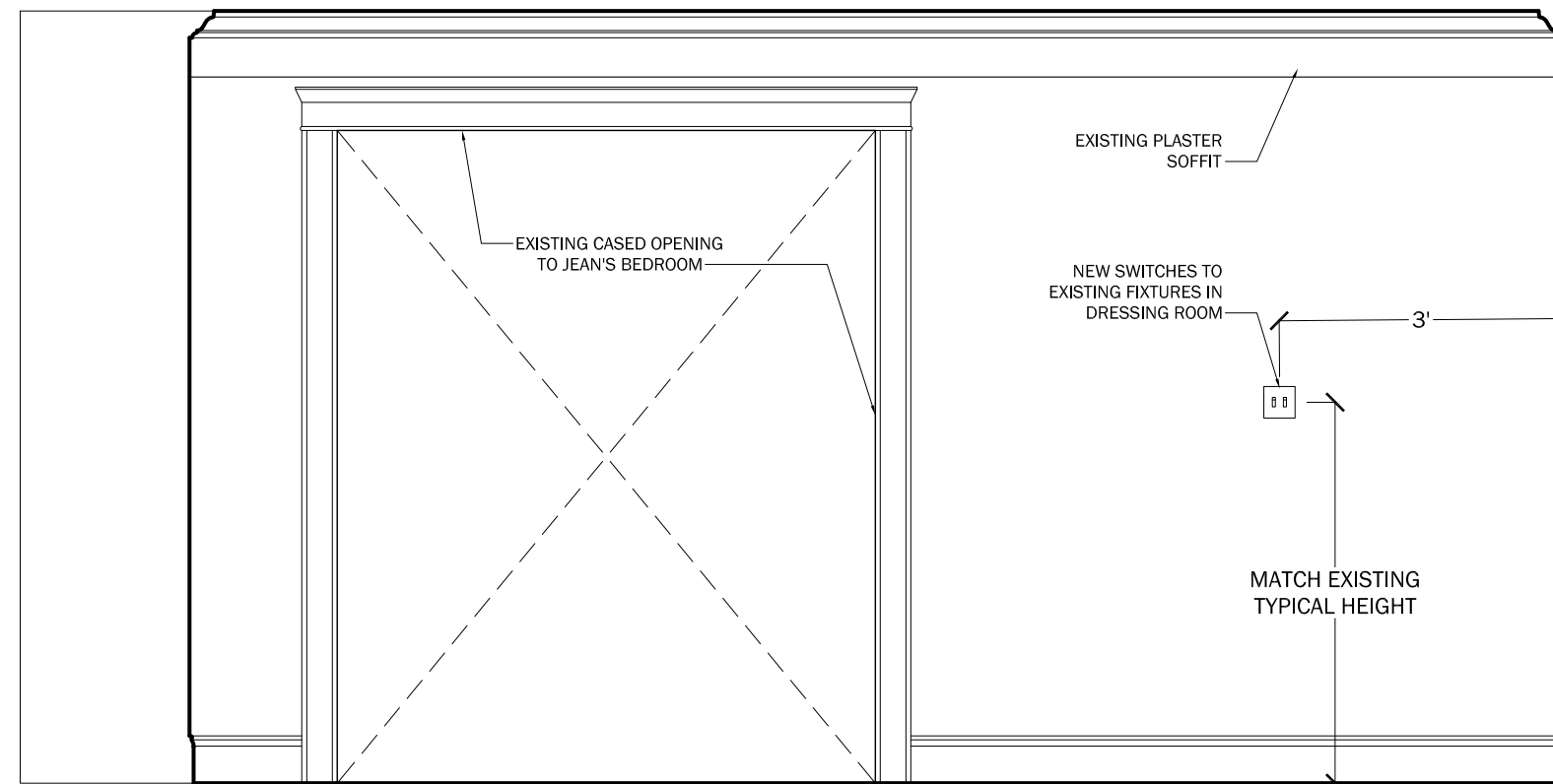


3 JEAN'S BR - WEST
1/2" = 1'-0"

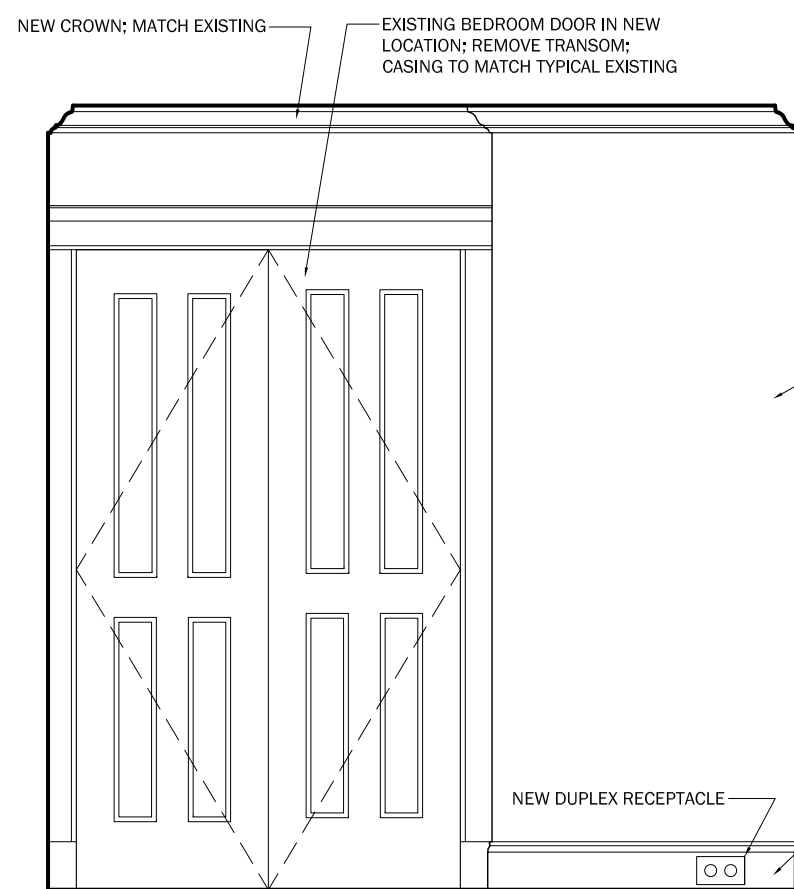


4 JEAN'S DRESSING - EAST
1/2" = 1'-0"

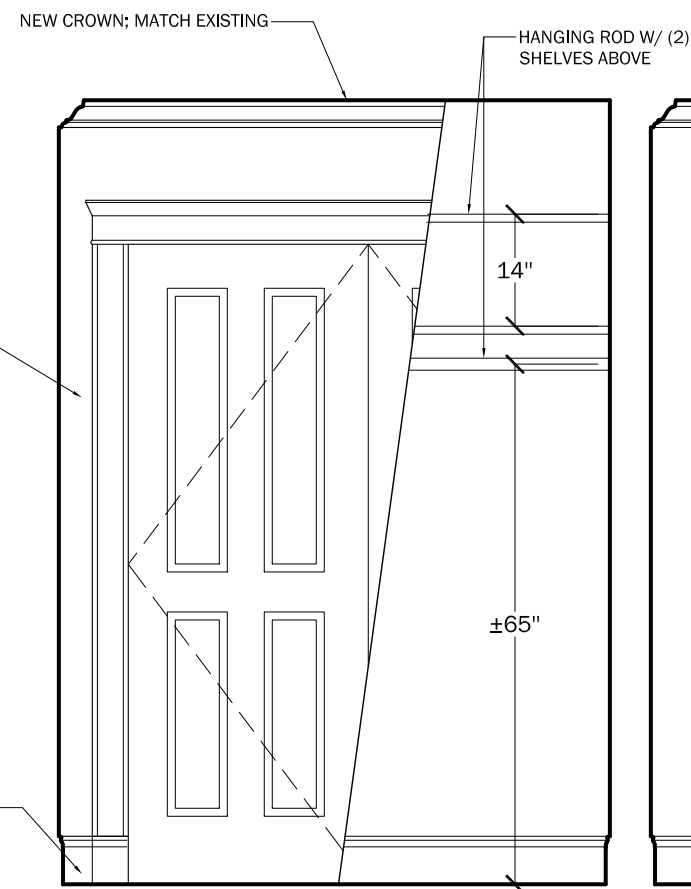
DETAIL PLAN @ SHOE SHELF
1/2" = 1'-0"



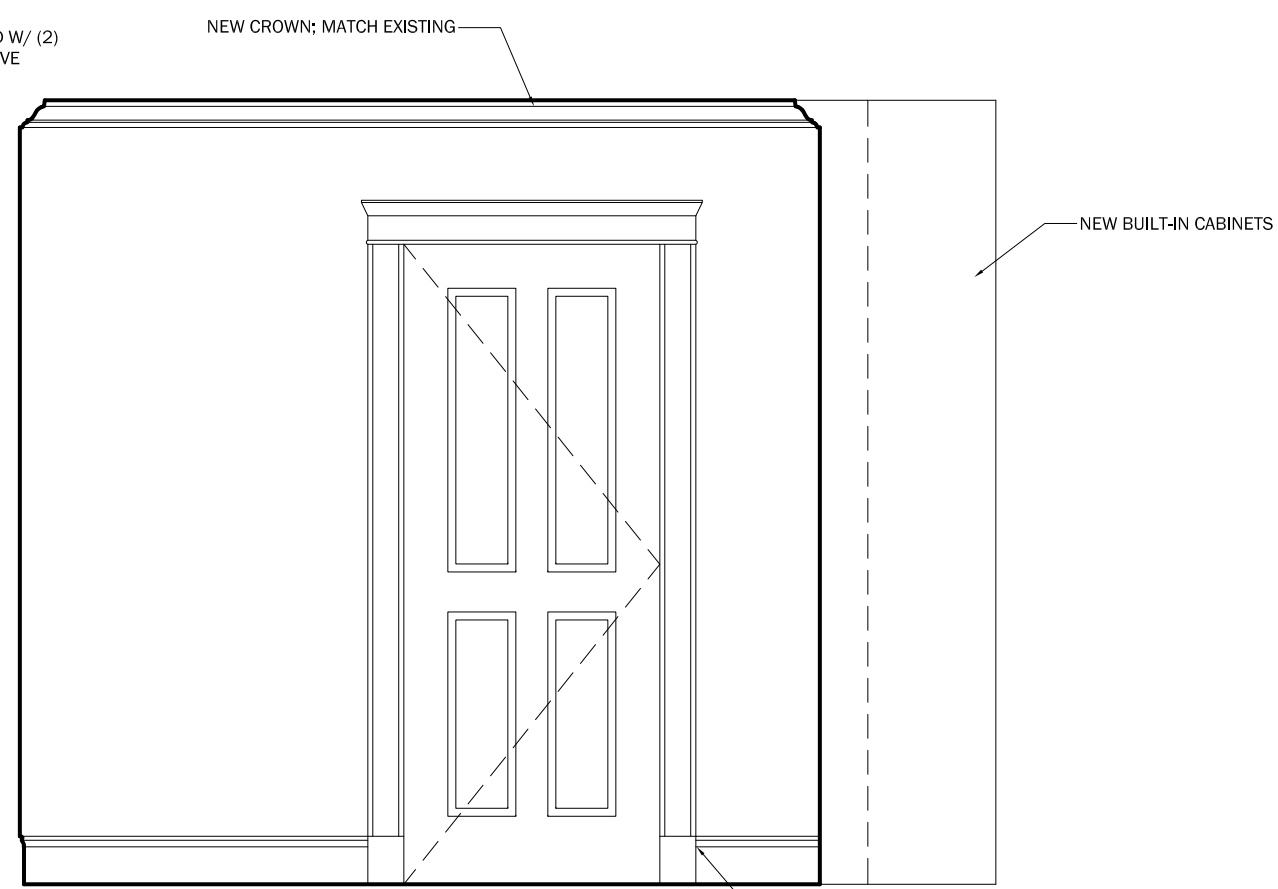
5 JEAN'S DRESSING - SOUTH
1/2" = 1'-0"



6 JEAN'S DRESSING - WEST
1/2" = 1'-0"



7 JEAN'S DRESSING - NORTH
1/2" = 1'-0"



ANGELL RESIDENCE

KENYON C. BOLTON III & ASSOCIATES
100 GARDEN STREET, CAMBRIDGE, MA
617.547.4440

DESCRIPTION
ESTIMATING DOCUMENTS

DATE
03.27.2017

DRAWING TITLE
INTERIOR ELEVATIONS

A-2