



278 HARRIS RD  
MINNOT, ME 04258  
PHONE: 207-393-7422

HOWE OWNER:

CONTRACTOR:  
FIRE PROTECTION  
SPRINKLER SERVICES  
278 HARRIS RD.  
MINNOT, ME 04258  
PHONE: 207-393-7422

CONTRACTOR # 903

- LEGEND:
- IN PIPE RISER UP
  - IN PIPE RISER DOWN
  - CPVC PIPE (WET)
  - STEEL PIPE (WET)
  - ⊙ HYDRAULIC CALC. POINT
  - ⊕ SYSTEM RISER
  - - - - - HYDRAULIC DESIGN AREA

DESIGN NOTES:

POSITION, LOCATION, SPACING, AND USE OF SPRINKLERS AND HANGERS SHALL BE IN ACCORDANCE WITH NFPA 13(2010) ed.

HYDRAULIC CALCULATION PROCEDURES SHALL BE IN ACCORDANCE WITH NFPA 13(2010) ed. (SEE PLANS FOR LOCATION OF REMOTE AREAS, HYDRAULIC REFERENCE POINTS, AND SYSTEM DEMANDS)

ALL ELECTRICAL WORK TO BE DONE BY OTHERS.

DIMENSIONS AND LOCATIONS GIVEN FOR SPRINKLER HEADS AND PIPE MAY VARY TO ACCOMMODATE ACTUAL FIELD CONDITIONS.

\*OWNER TO PROVIDE SUFFICIENT HEAT TO PREVENT FREEZING IN WATER FILLED SPRINKLER PIPE AND EQUIPMENT.

\*OTHER TRADES TO COORDINATE THEIR WORK WITH SPRINKLER CONTRACTOR.

\*REFER TO SPEARS CPVC PLASTIC PIPE INSTALLATION MANUAL FOR GLUE CURING TIME AND HANGER SPACING.

SPRINKLER HEAD DESCRIPTION:

RELIABLE F1-RES-44 WHITE PENDENT 14" X 14" SPACING MAX 7" MAX FROM HEAD TO WALL	RELIABLE F1-RES-49 WHITE PENDENT 14" X 14" SPACING MAX 7" MAX FROM HEAD TO WALL
10 155° 4.4	1 155° 4.9

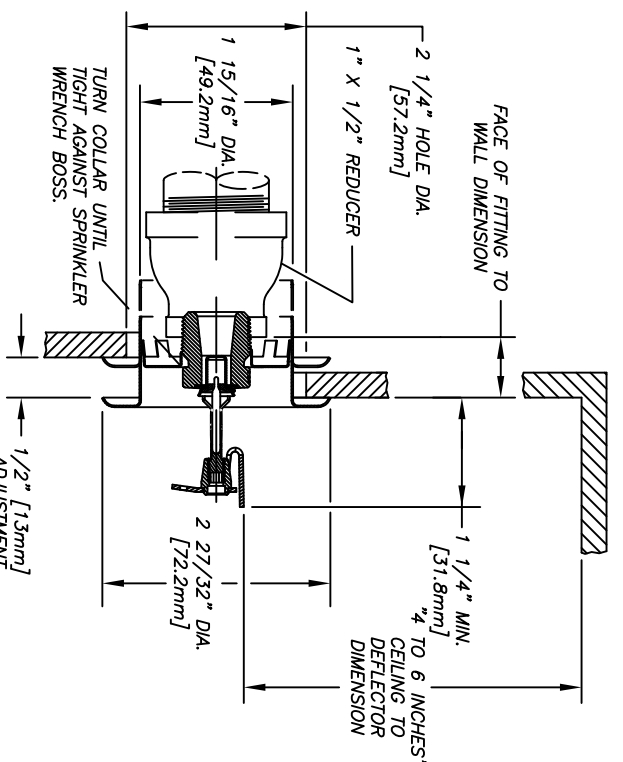
TOTAL HEADS ON SHEET: 11

SCALE: SCALE 1/8"=1'-0"

DATE: JANUARY 25, 2016  
DESIGNER: TIM FORTIN  
RMS# 866  
NICET LEVEL III CERT. # 122193

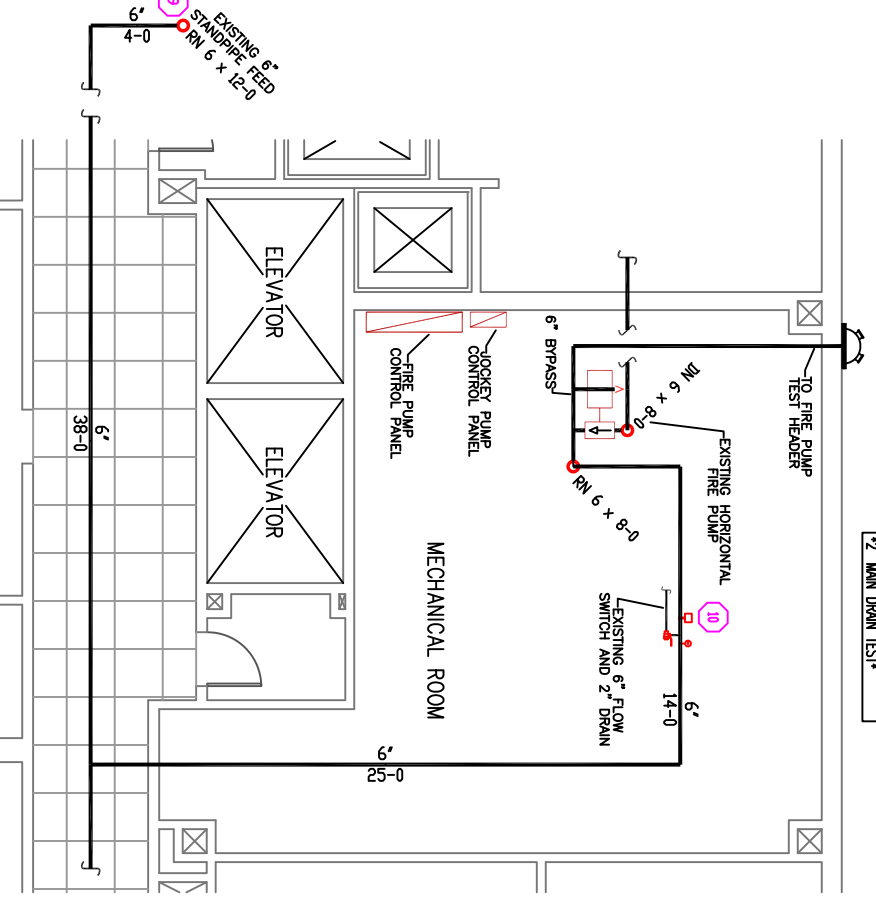
LOCATION:  
45 EASTERN PROMENADE  
PORTLAND, ME

DRAWING TITLE:  
PORTLAND HOUSE  
UNIT #1K  
FIRE PROTECTION PLAN  
(NFPA 13.2010 ed.)  
DRAWING NO.:  
FP-1



CALC STROKER #1  
HYD. DESIGN CRITERIA  
(NFPA 13.2010 ed. - WET)

LOCATION= LIVING AND BED RM  
HAZARD CLASSIFICATION: LIGHT  
AREA OF OPERATION: 480 SQ. FT.  
HOSE DEMAND: 1.0 GPM  
NO. OF SPRINKLERS= 4 (MOST DEMANDING)  
SYSTEM DEMAND (INCLUDING HOSES) @  
BASE OF RISER= 182-GPM 113-PSI  
SAFETY MARGIN= 33-PSI



NOTE: CLOSETS UNDER 24 SQUARE FEET AND BEEN SPRINKLERED PER NFPA 101 - 313.5.3

